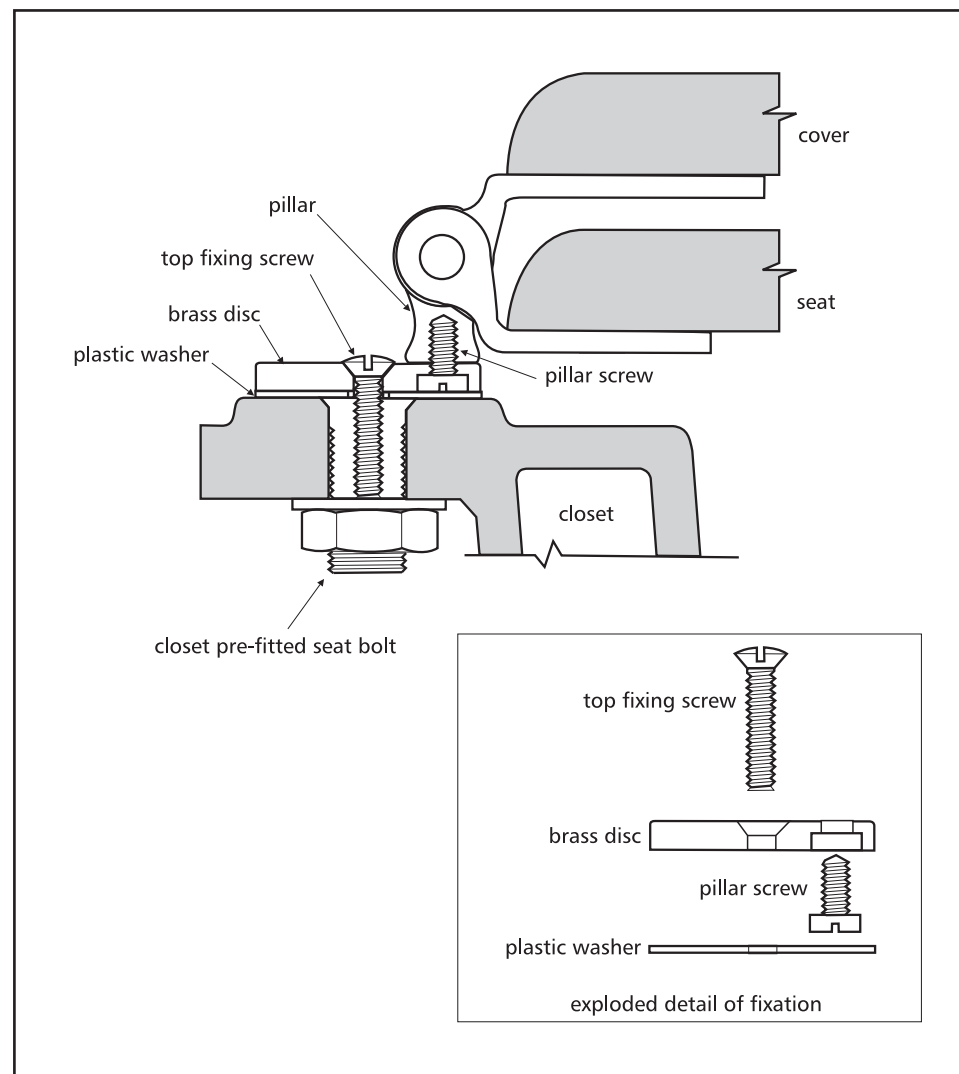
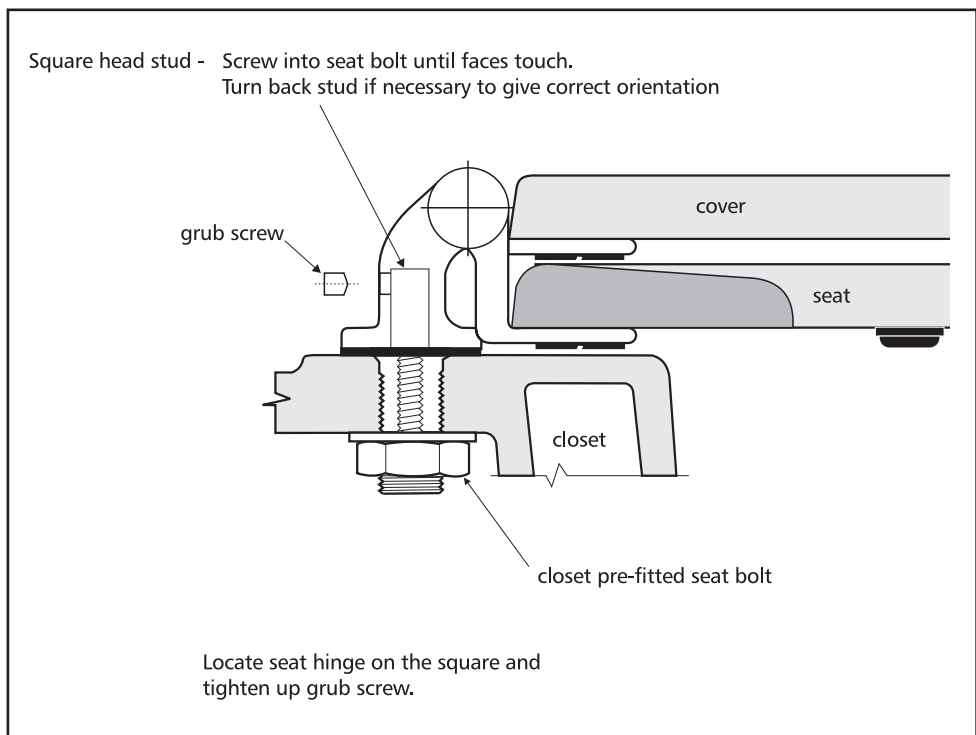


REPRISE POLYESTER SEAT HINGE FIXATION

REPRISE WOODEN SEAT HINGE FIXATION



Sottini

Sottini
The Bathroom Works,
National Avenue,
Kingston upon Hull,
HU5 4HS,
England.
Telephone: (01482) 449513
Telefax: (01482) 445886.

CUSTOMER CARE HELPLINE

0870 1296085

CUSTOMER CARE FAX LINE 01482 499611
email: ukcustcare@IdealStandard.com

Sottini pursues a policy of continuing improvement in design and performance of its products. The right is, therefore, reserved to vary specification without notice.

Ideal Standard (UK) Ltd.

S219 03/08

Sottini