



TONIC “QUADRANT R550” TONIC “OFFSET QUADRANT”

MANUAL FOR USE, INSTALLATION and MAINTENANCE

Notes on this manual

Partial or total reproduction or copying of this manual without the permission of the manufacturer is prohibited. The contents of this manual are subject to change with no advance notice. Every effort has been made in preparing this manual to ensure the accuracy of its contents. However, if you have any questions or discover any errors, please contact the manufacturer. The manufacturer shall not be held liable for consequences arising from use of the product. The drawings and diagrams contained in the manual are to be considered approximate and are provided only for information



SALES RULES AND REGULATIONS



The manufacturer recommends carefully reading this booklet

- The manual is provided together with the product and must be kept for future consultation during the entire life of the product and must be transferred to any product owner or installer.
- The product must be installed without any modifications, under penalty of warranty cancellation. The assembly procedures, tools and materials that are indicated must be respected.
- The product was designed and built for installation on a masonry wall: if installed on another type of wall (ex. plasterboard, wood, etc.), the installer is responsible for providing reinforcement to ensure the secure installation of the product.
- For silicon sealing, use acetic silicon.



When installation is complete, remove all packaging items and installation waste according to the current regulations of the country of product use.



ROUTINE MAINTENANCE OF SHOWER ENCLOSURE AND VISIBLE PARTS

Lime scale and aggressive detergents may make the surface of the shower enclosure opaque over time.

The Manufacturer suggests the following:

Never use powder detergents. Liquid detergents may be used if they are free of alcoholic substances.

Never use products such as ammonia, acetone, alcohol and the like because they may permanently damage the shower enclosure.

After use, your shower should be cleaned with soap and water. This is particularly important in hard water districts where insoluble lime salts may be deposited and allowed to build up.

Cleaners of a gritty or abrasive nature should not be used. Care should be taken to avoid contact with strong chemicals such as organic solvents and strippers.

Glass cleaners can be used but with caution, if in doubt, contact the manufacturer of the cleaner in question.

Please keep these instructions for aftercare and customer service details.

GUIDE TO INSTRUCTIONS

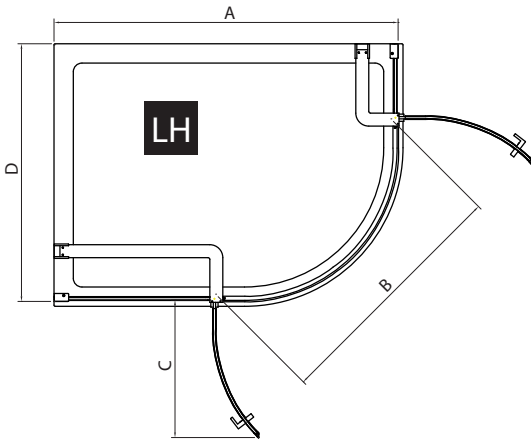
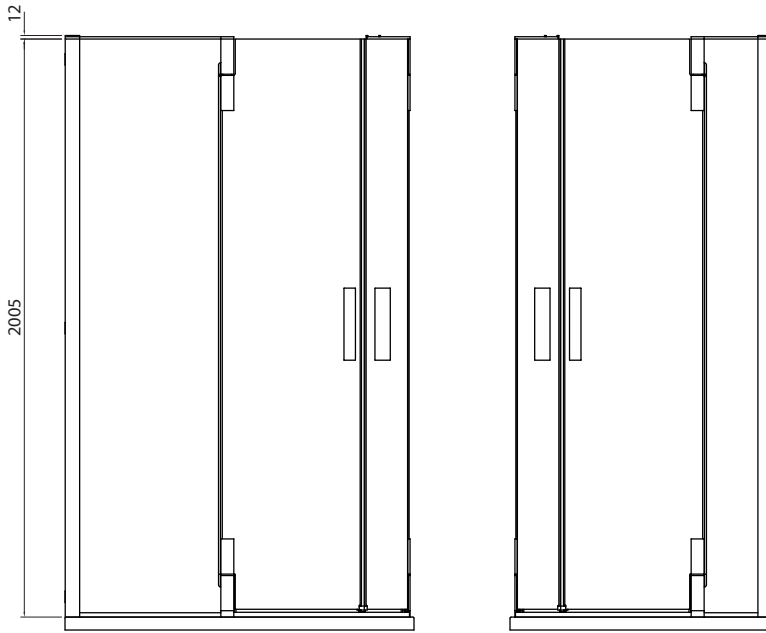


Installation PHASE



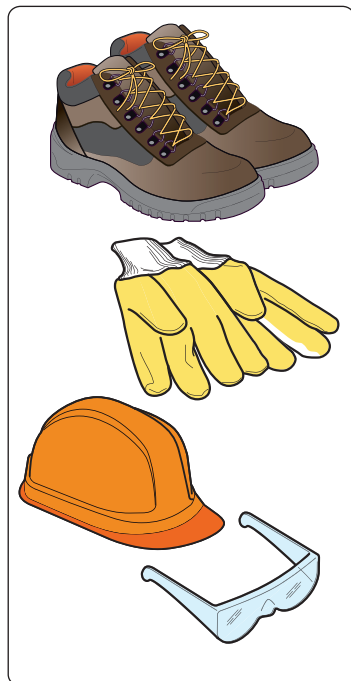
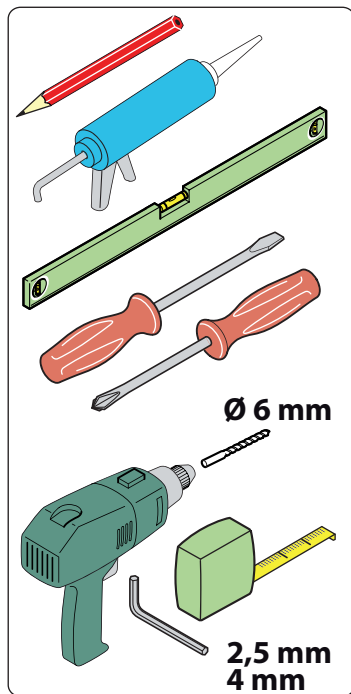
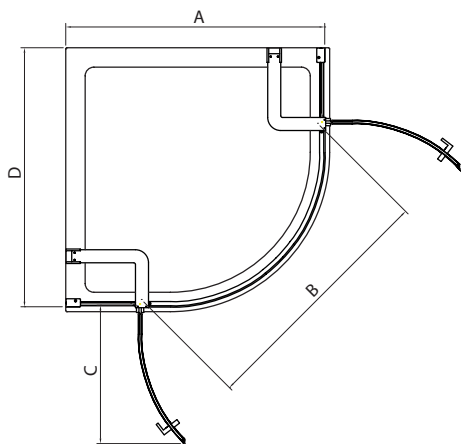
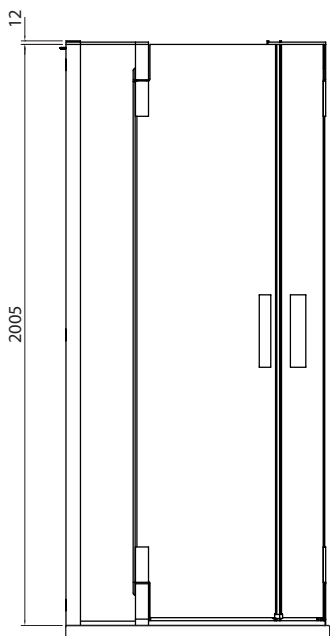
sequence of the OPERATIONS to be performed during a PHASE

PR2 component identification



OFFSET QUADRANT

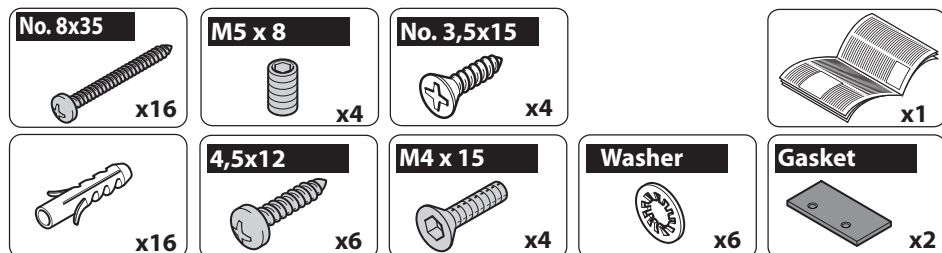
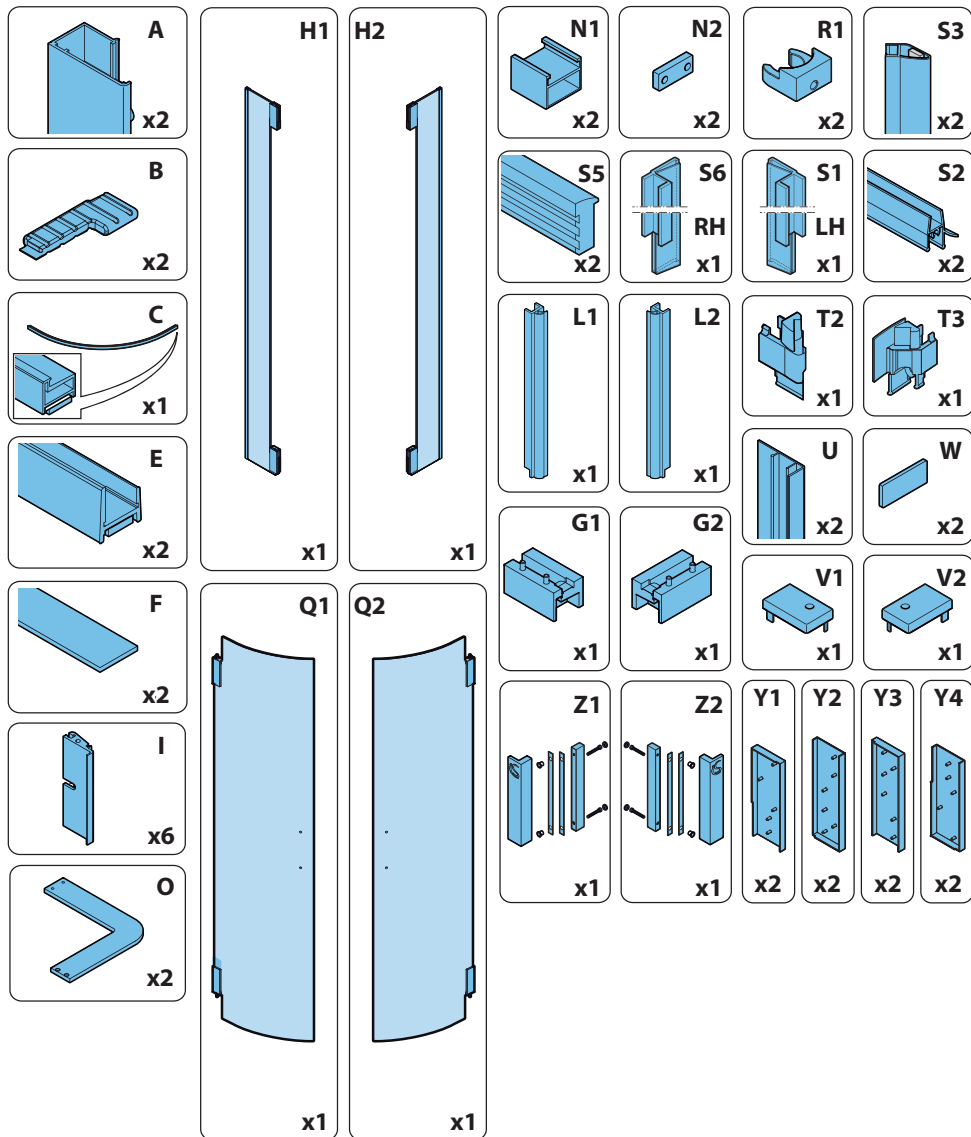
ENCLOSURE	DIM. A WIDTH (mm)	DIM. B OPENING (mm)	DIM. C REACH (mm)	DIM. D WIDTH (mm)	TRAY TYPE
1200x900 LH	1173-1193	860	477	873-893	FT
1200x900 RH	873-893	860	477	1173-1193	FT
1000x800 LH	973-993	860	477	773-793	FT
1000x800 RH	773-793	860	477	973-993	FT



QUADRANT R550

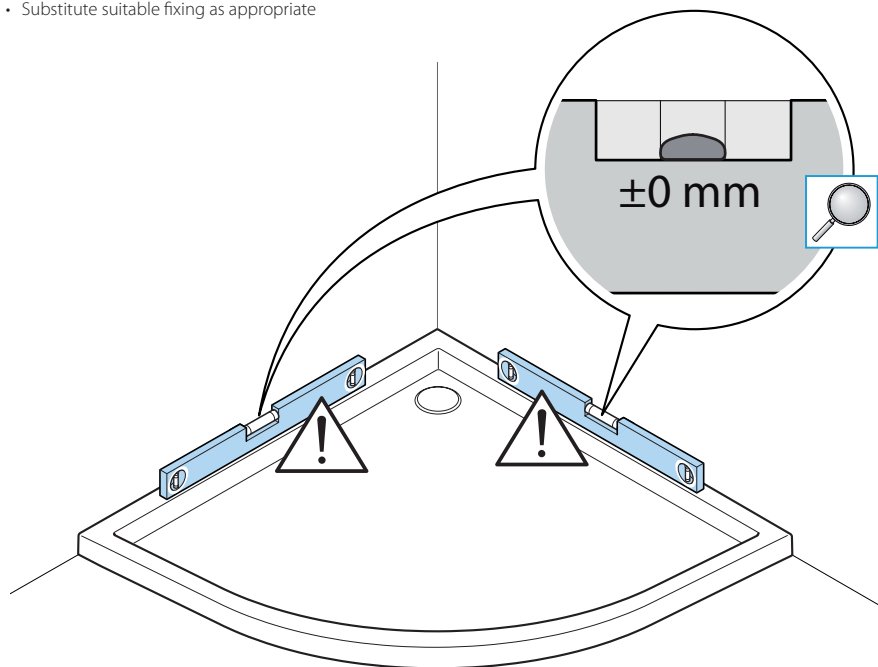
ENCLOSURE	DIM. A WIDTH (mm)	DIM. B OPENING (mm)	DIM. C REACH (mm)	DIM. D WIDTH (mm)	TRAY TYPE
800	773-793	860	477	773-793	FT
900	873-893	860	477	873-893	FT
1000	973-993	860	477	973-993	FT
800	758-778	845	462	758-778	UP
900	858-878	845	462	858-878	UP

Components



**ATTENTION!**

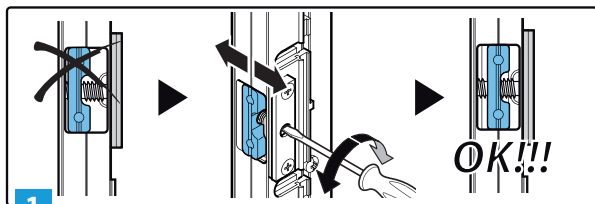
- Ensure tray is level and firm
- Tray **MUST** be sealed before enclosure installation begins
- It is recommended that shower enclosures are fitted onto a tiled wall surface.
- Wall fixing supplied are for solid wall construction
- Substitute suitable fixing as appropriate



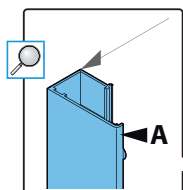
This product is heavy and may require
two people to install

2A

QUADRANT R550

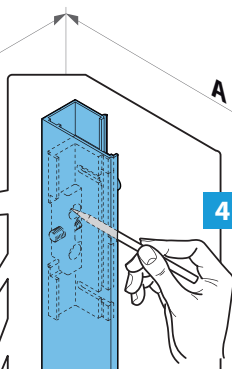


1

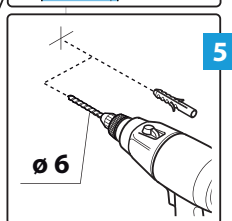


2

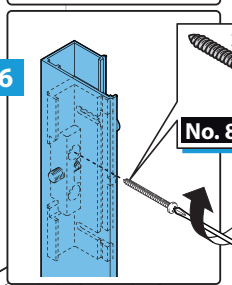
3



4



5



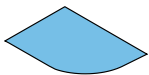
6

x3 + x3

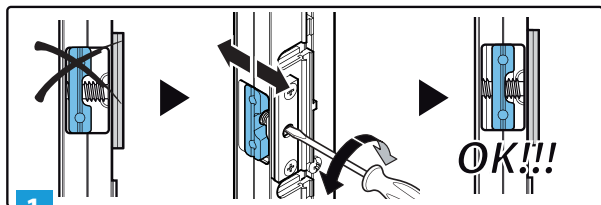
No. 8x35

Version	A =
800 Flat Top	748-768mm
900 Flat Top	848-868mm
1000 Flat Top	948-968mm
800 Upstand	728-748mm
900 Upstand	828-848mm

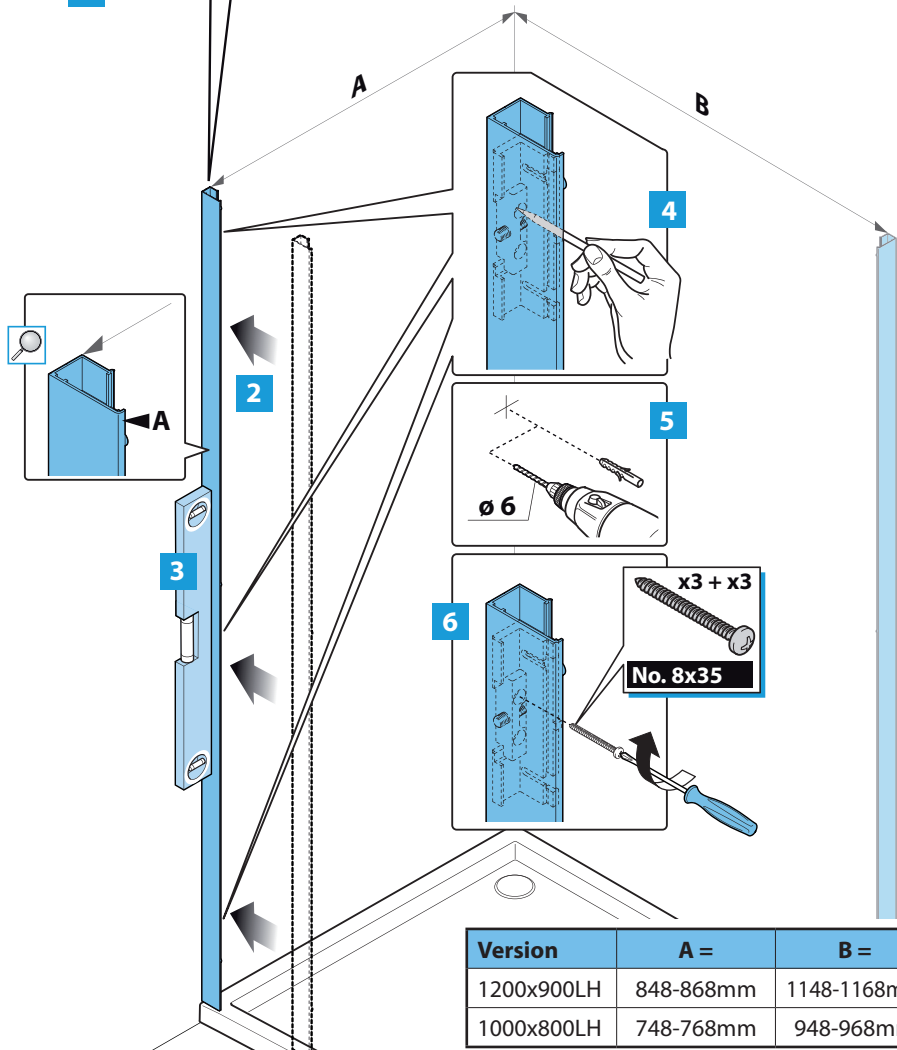
QUADRANT
OFFSET LH



2B



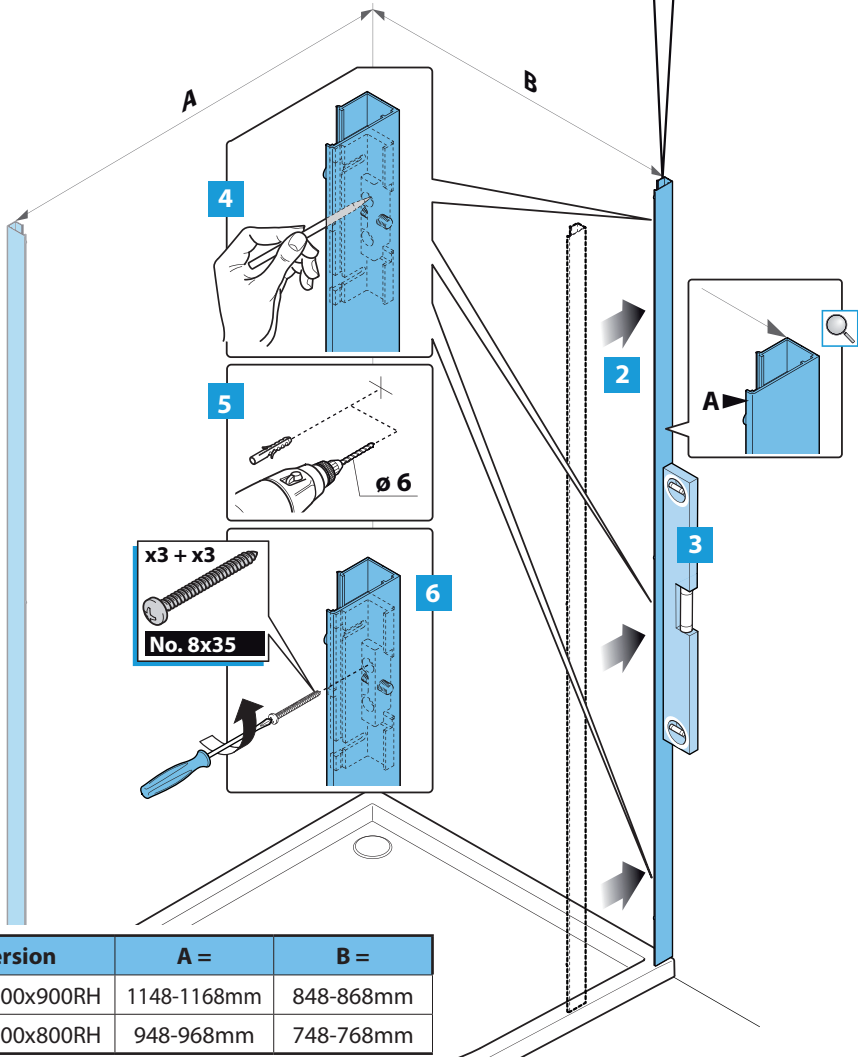
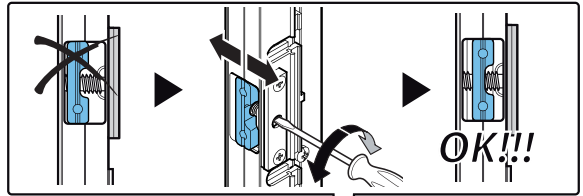
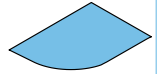
1



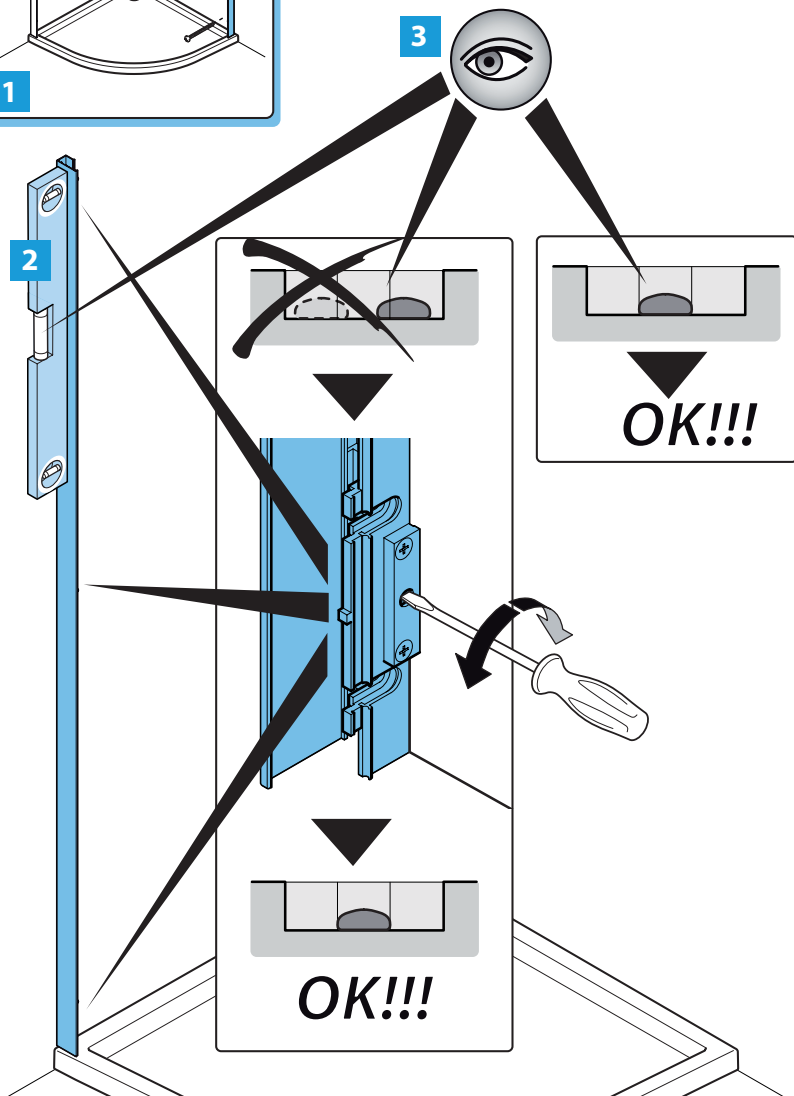
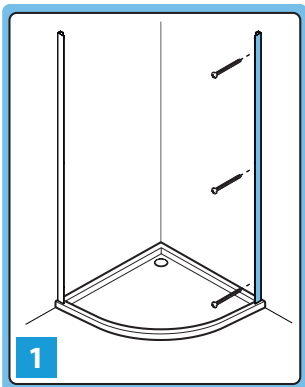
Version	A =	B =
1200x900LH	848-868mm	1148-1168mm
1000x800LH	748-768mm	948-968mm

2C

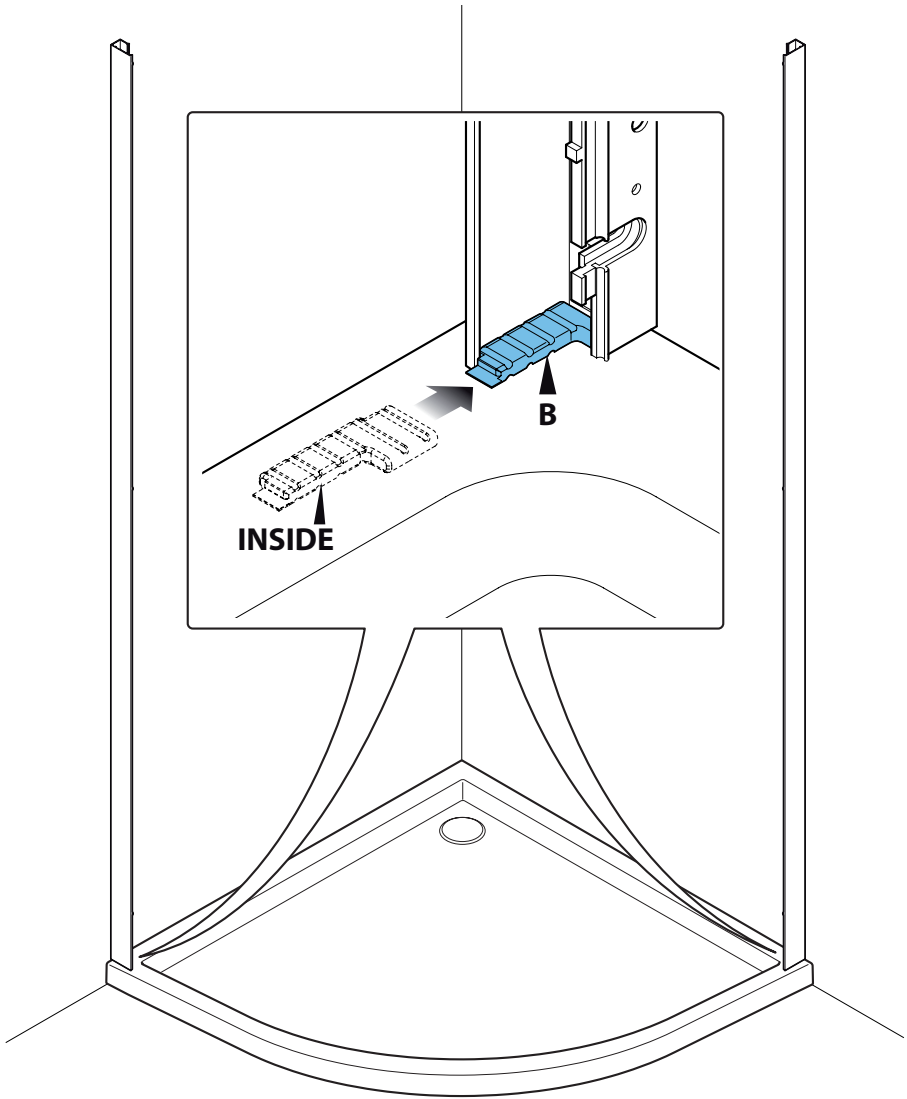
QUADRANT
OFFSET RH

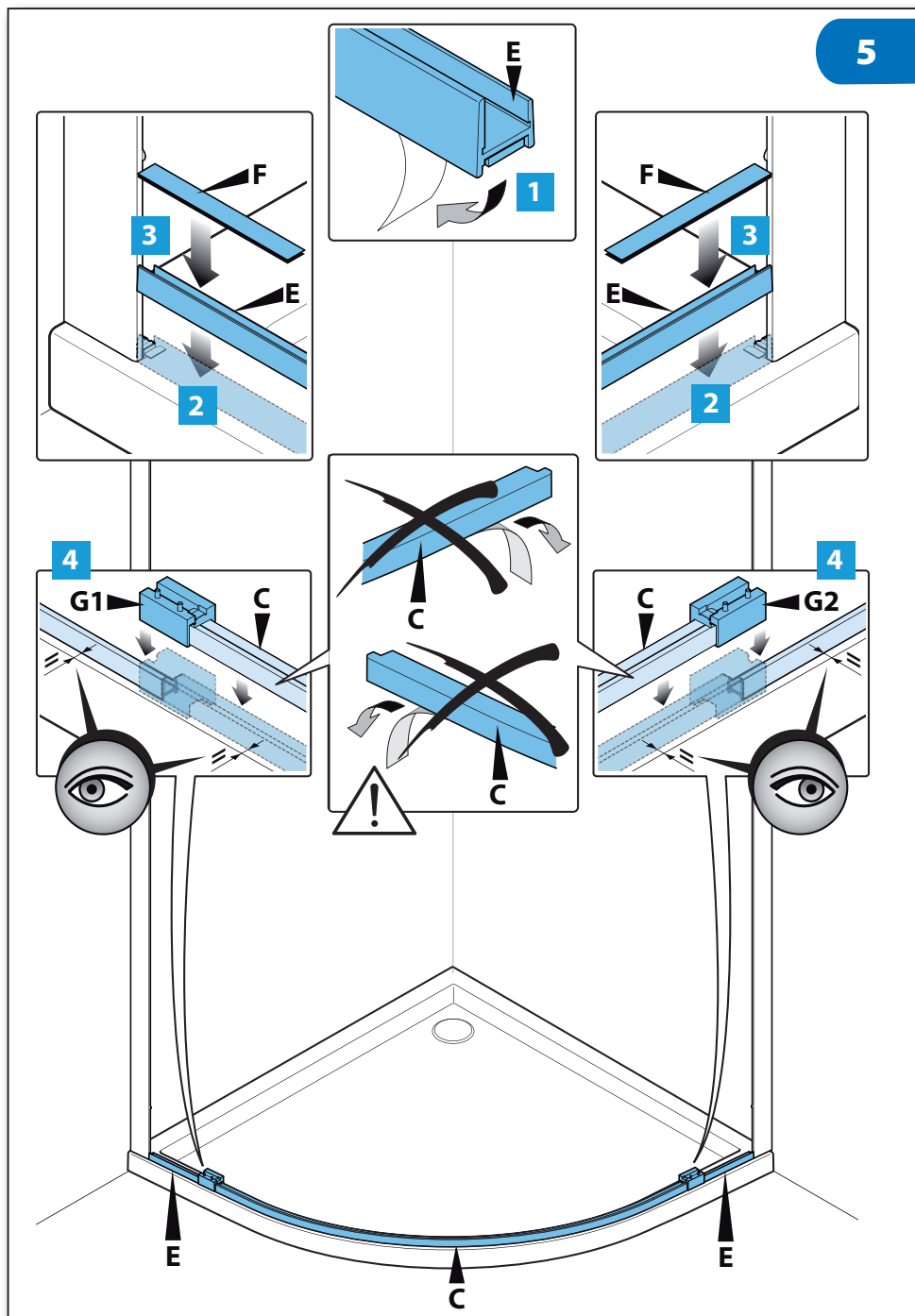


Version	A =	B =
1200x900RH	1148-1168mm	848-868mm
1000x800RH	948-968mm	748-768mm

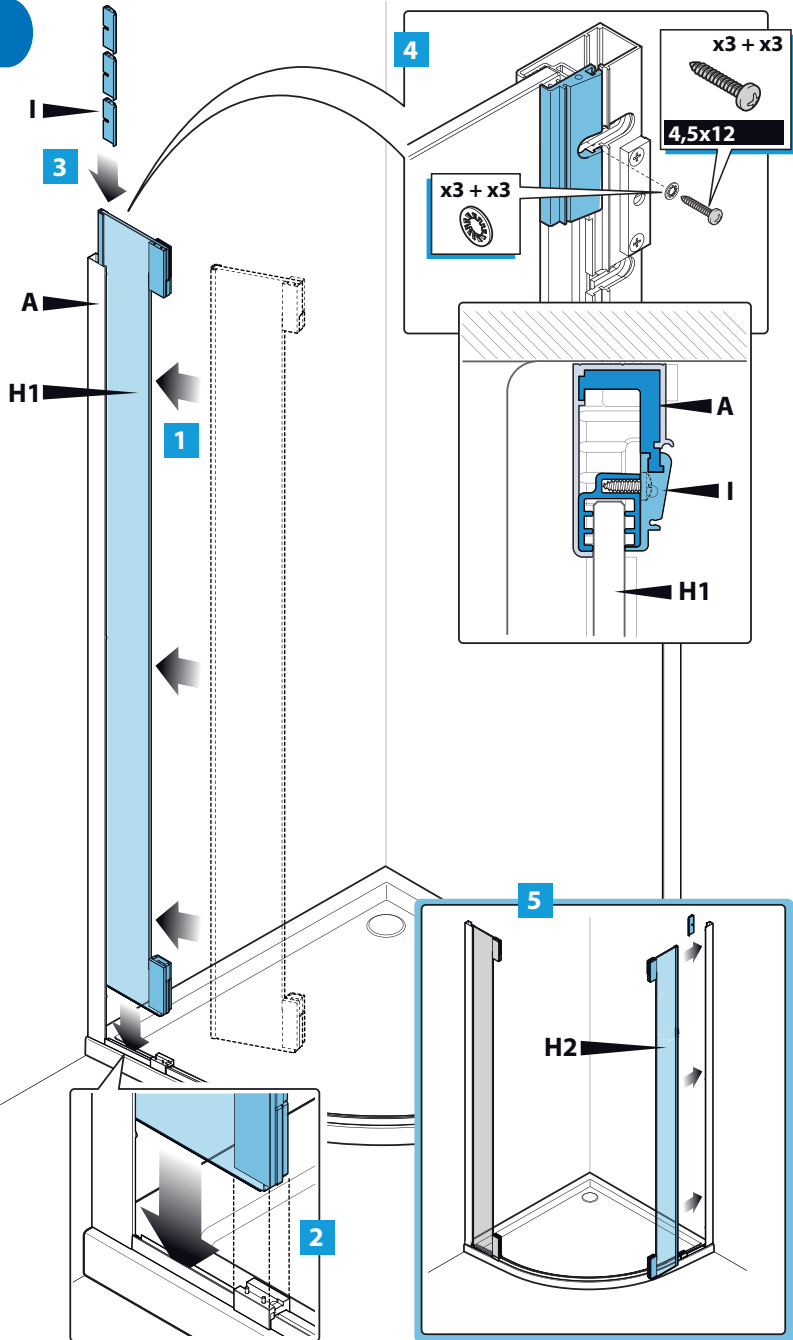


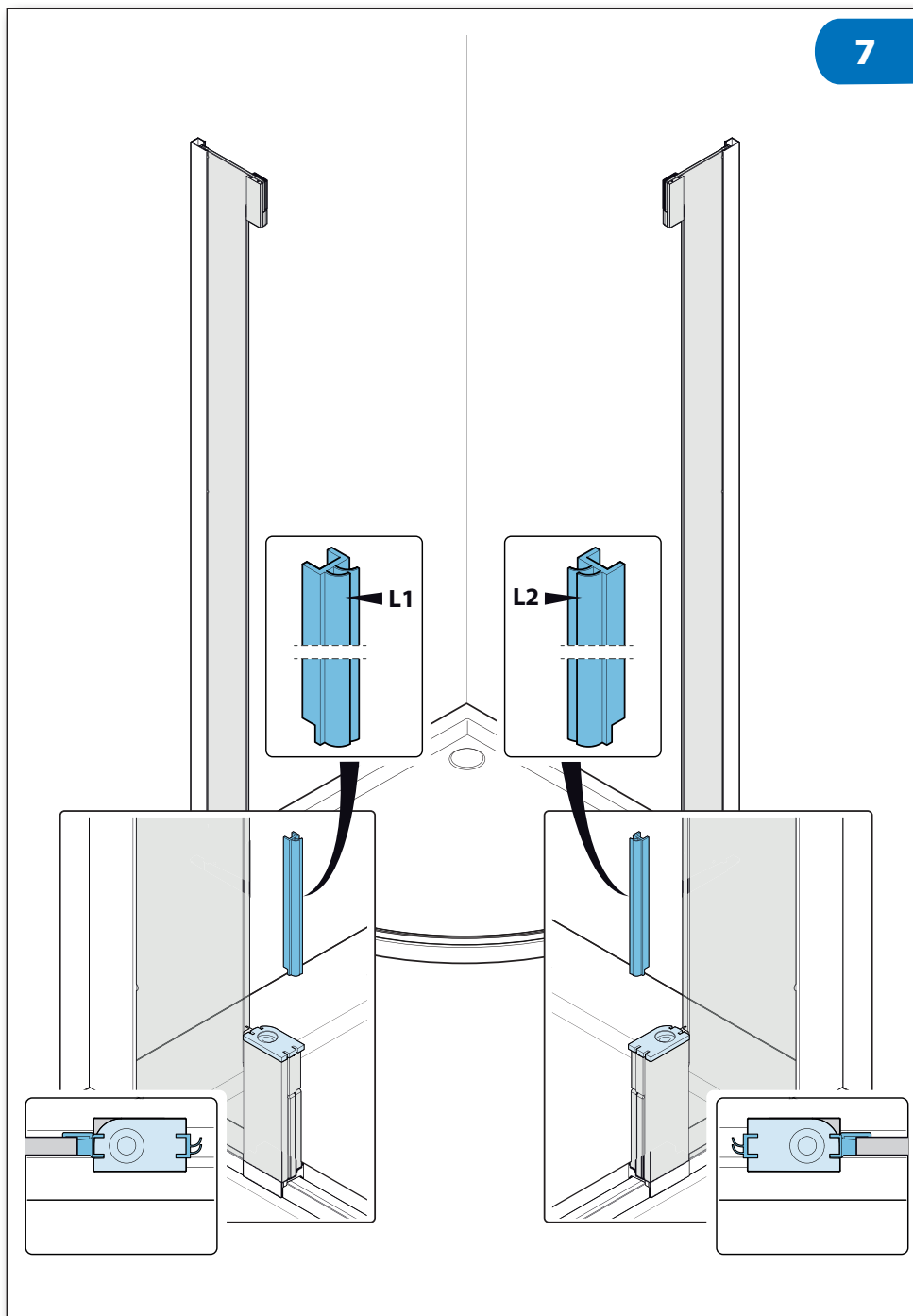
4





6



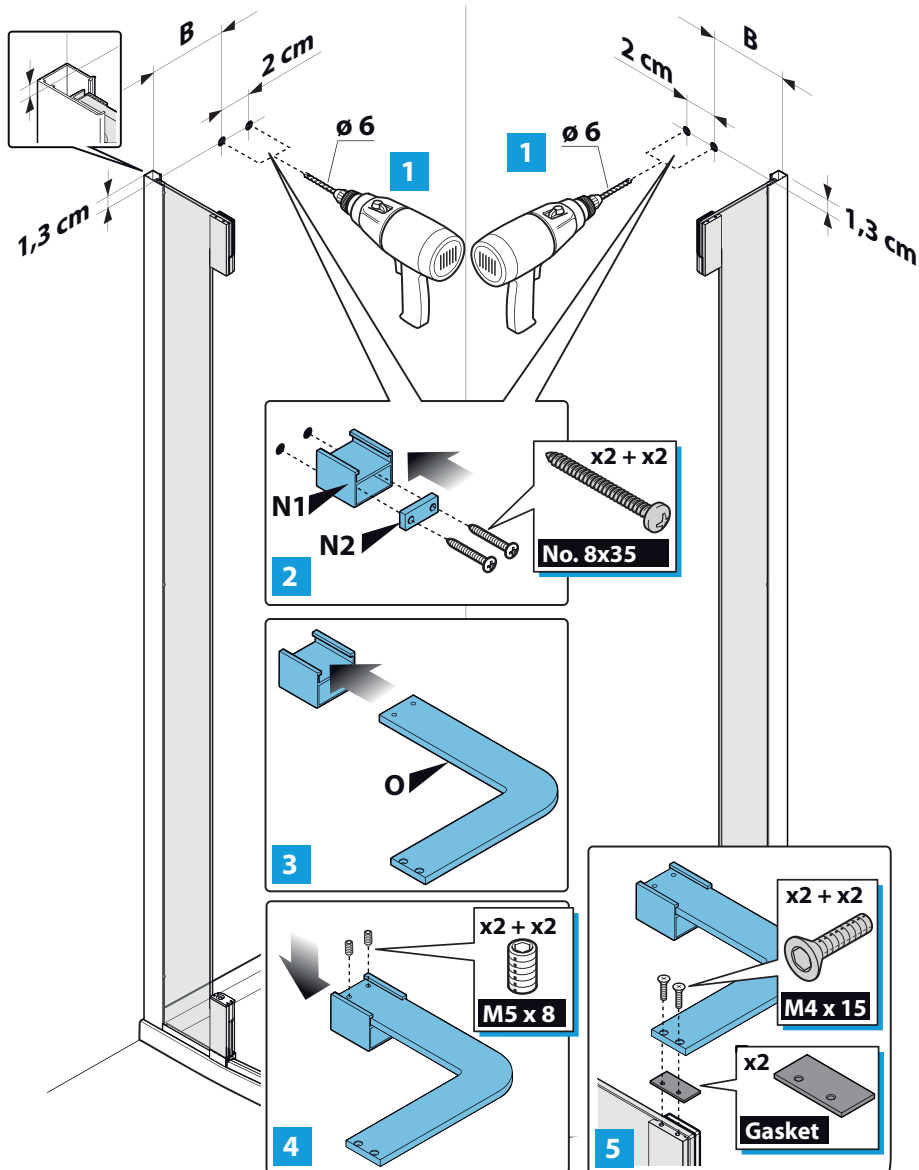


8A

QUADRANT R550



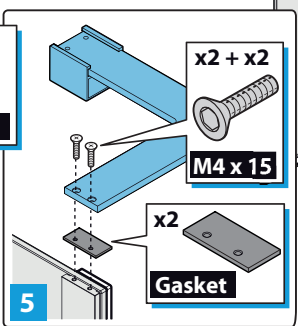
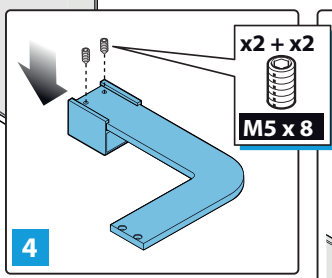
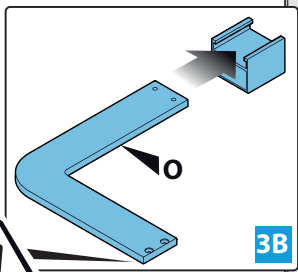
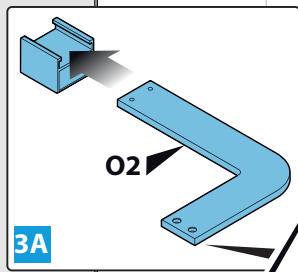
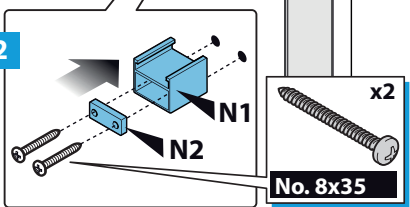
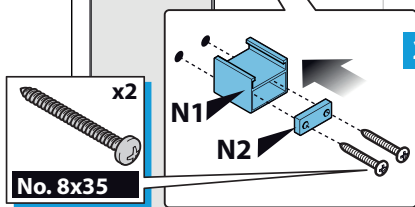
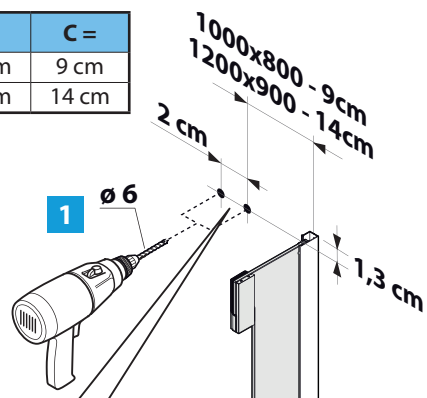
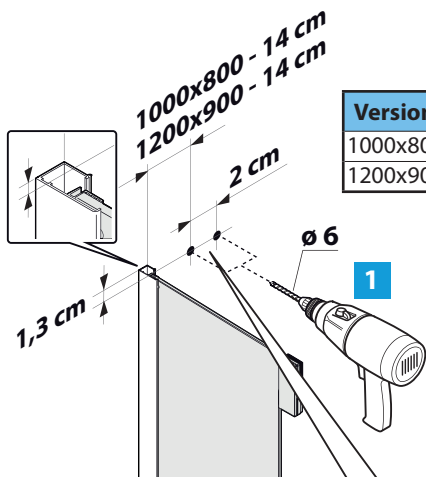
Version	B =
800	9 cm
900	14 cm
1000	14 cm



QUADRANT
OFFSET LH

8B

Version	B =	C =
1000x800	14 cm	9 cm
1200x900	14 cm	14 cm

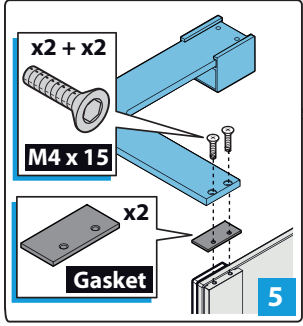
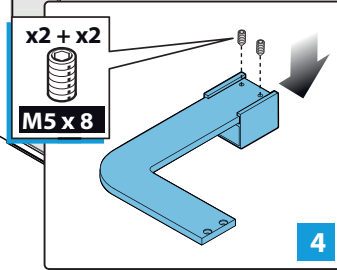
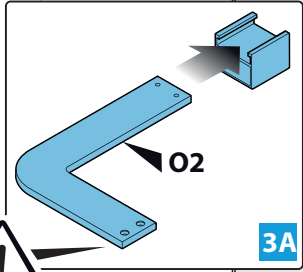
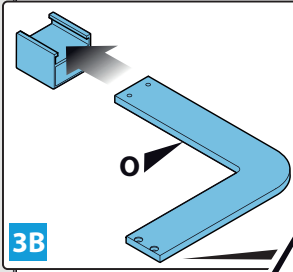
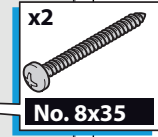
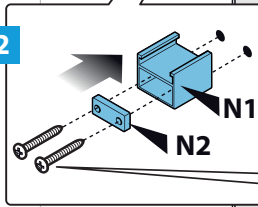
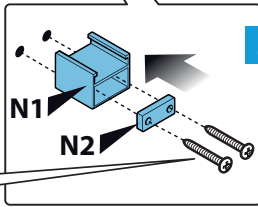
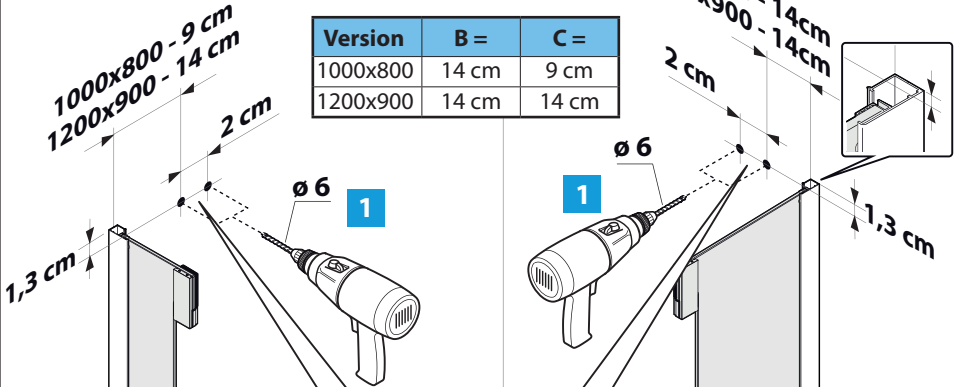


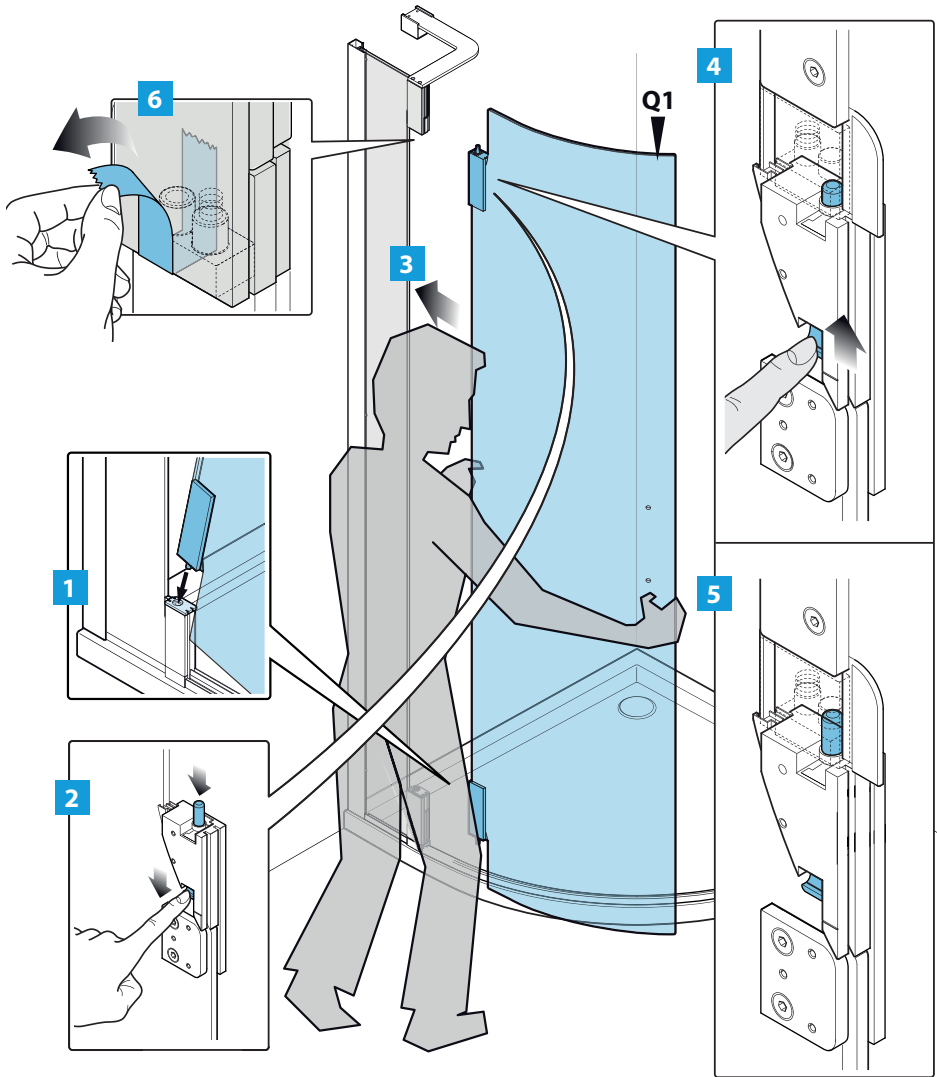
8C

QUADRANT
OFFSET RH

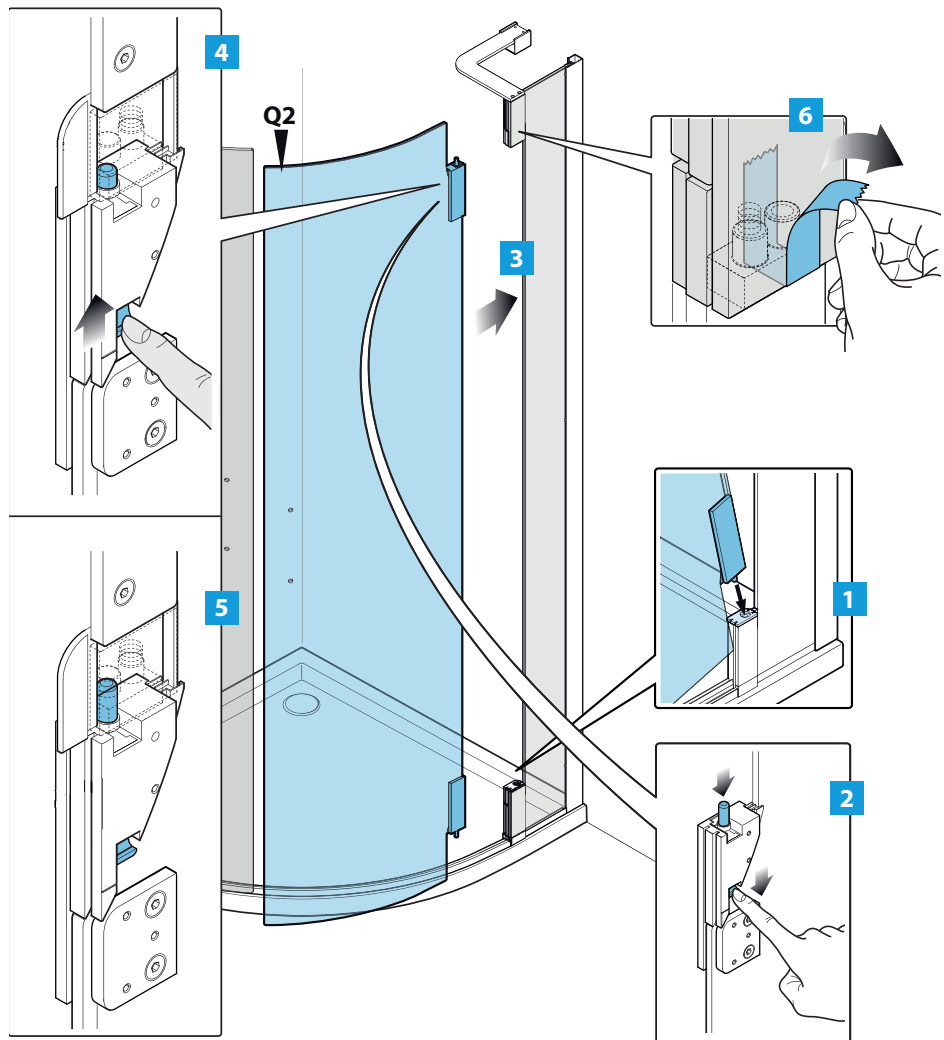


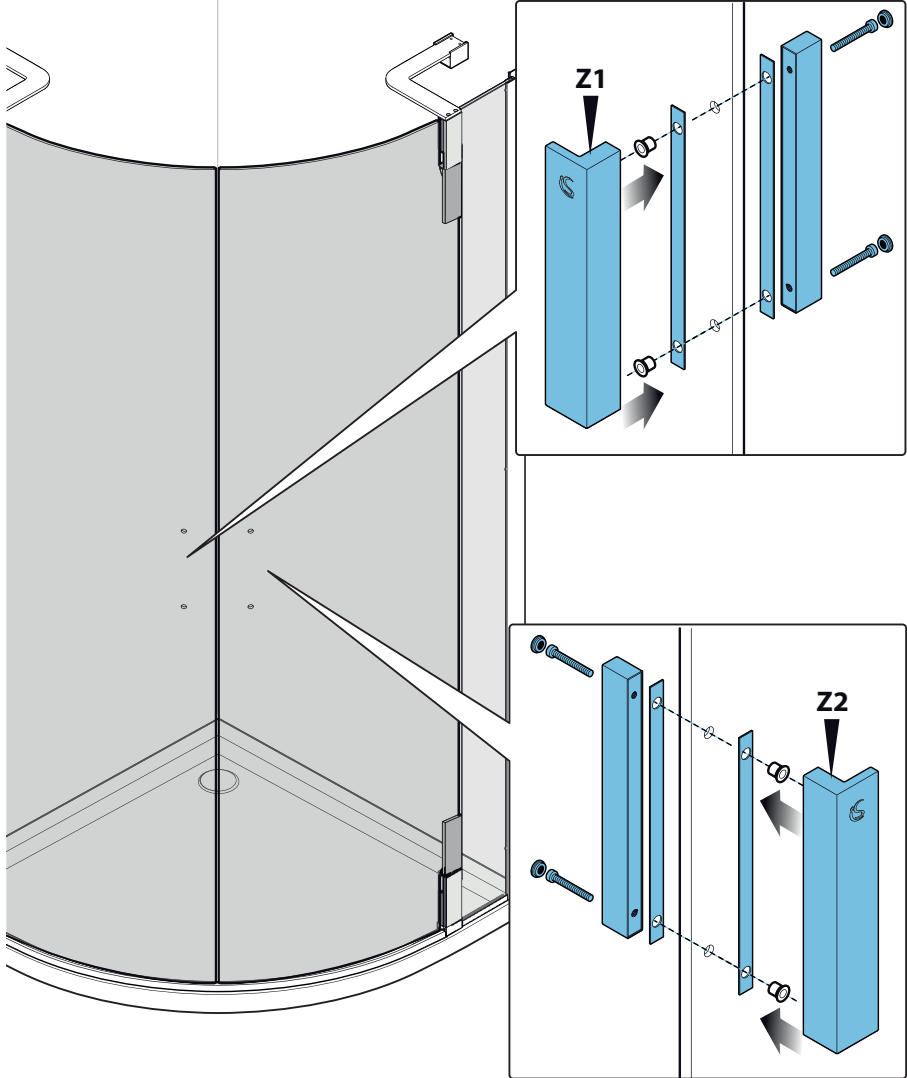
Version	B =	C =
1000x800	14 cm	9 cm
1200x900	14 cm	14 cm



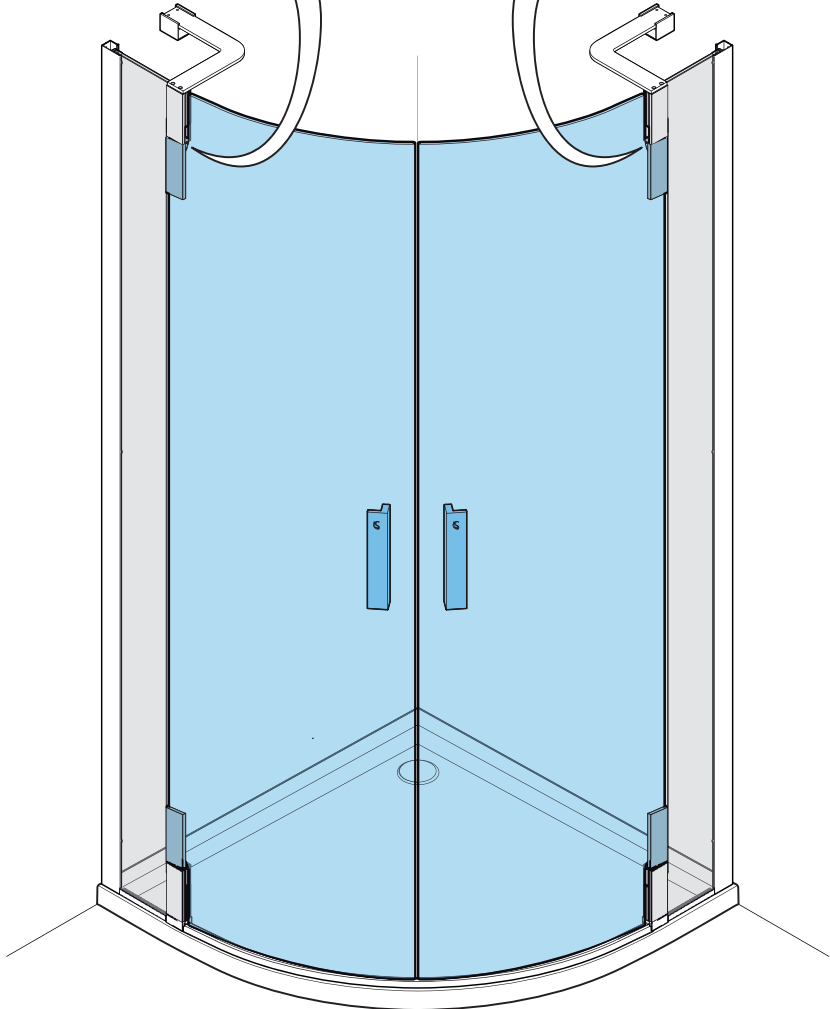
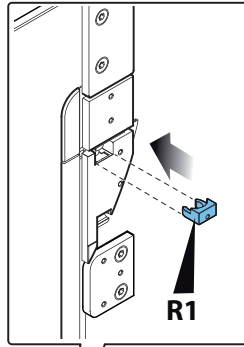
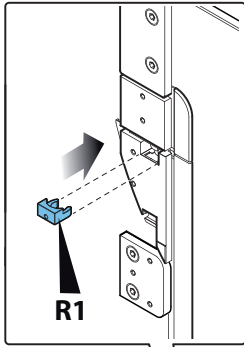


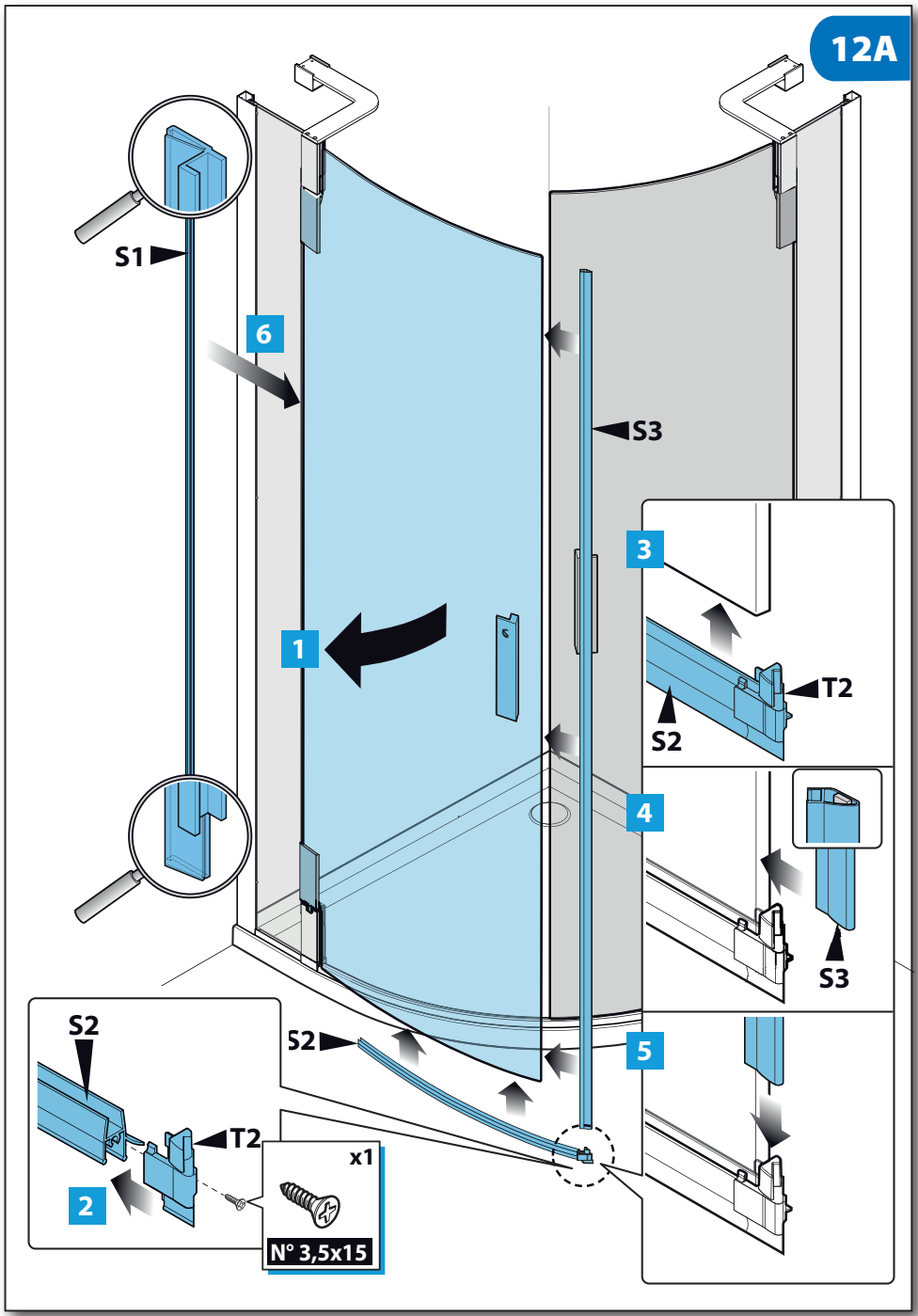
9B



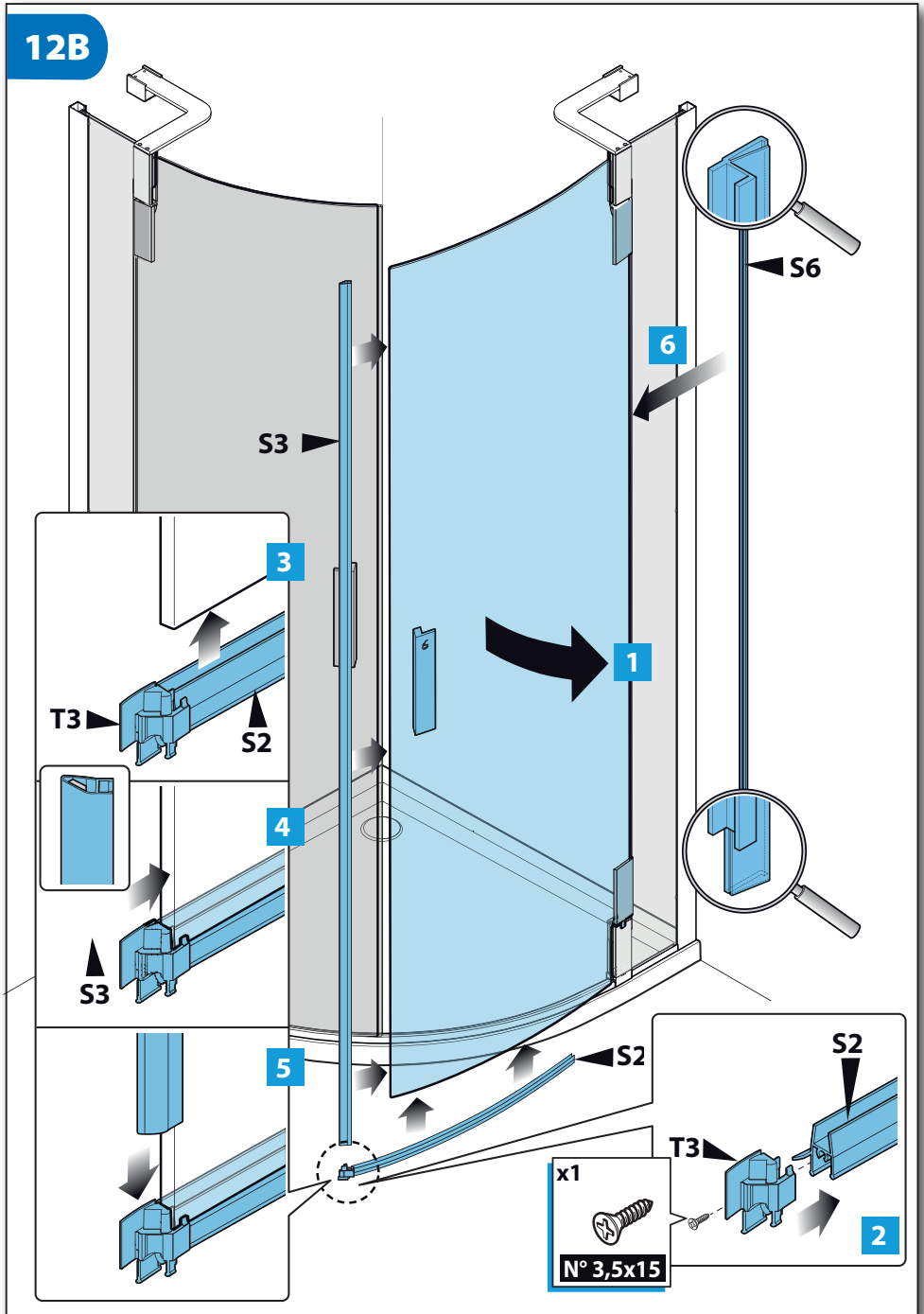


11



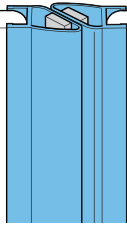


12B

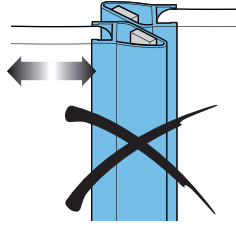


2A

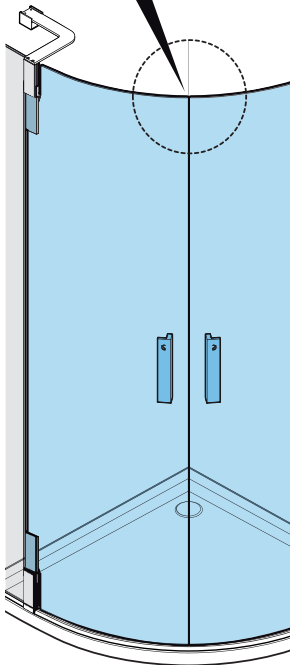
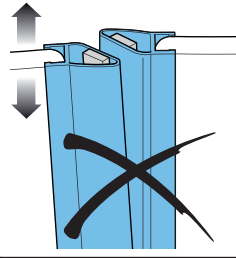
OK!



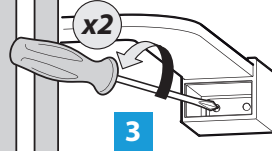
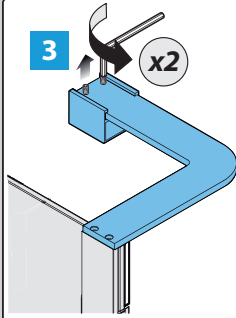
2B



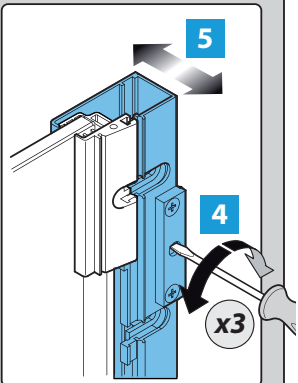
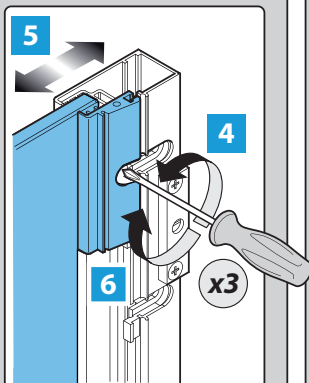
2C



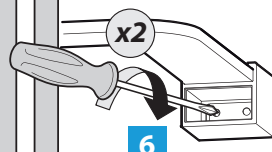
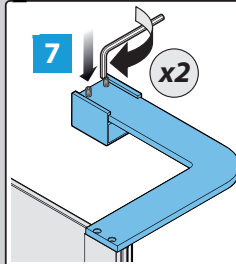
3



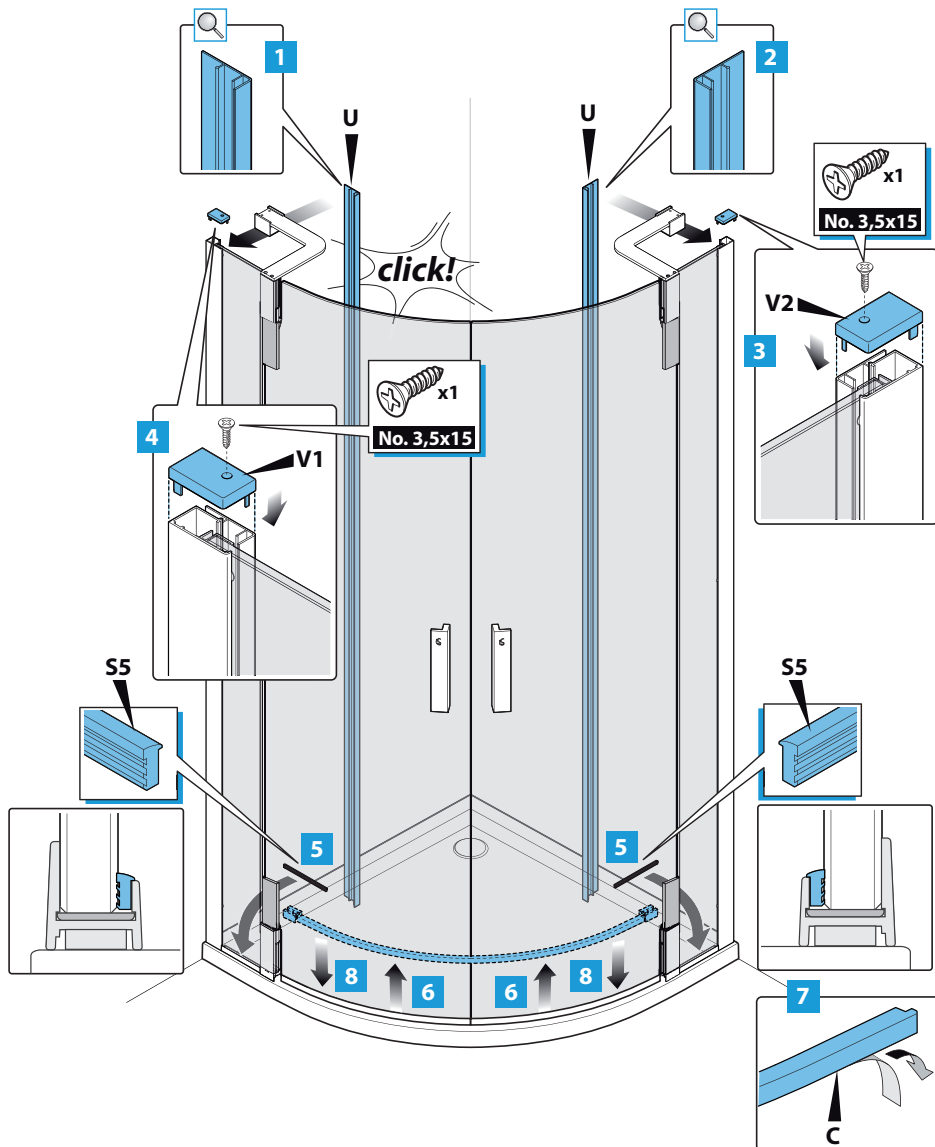
5

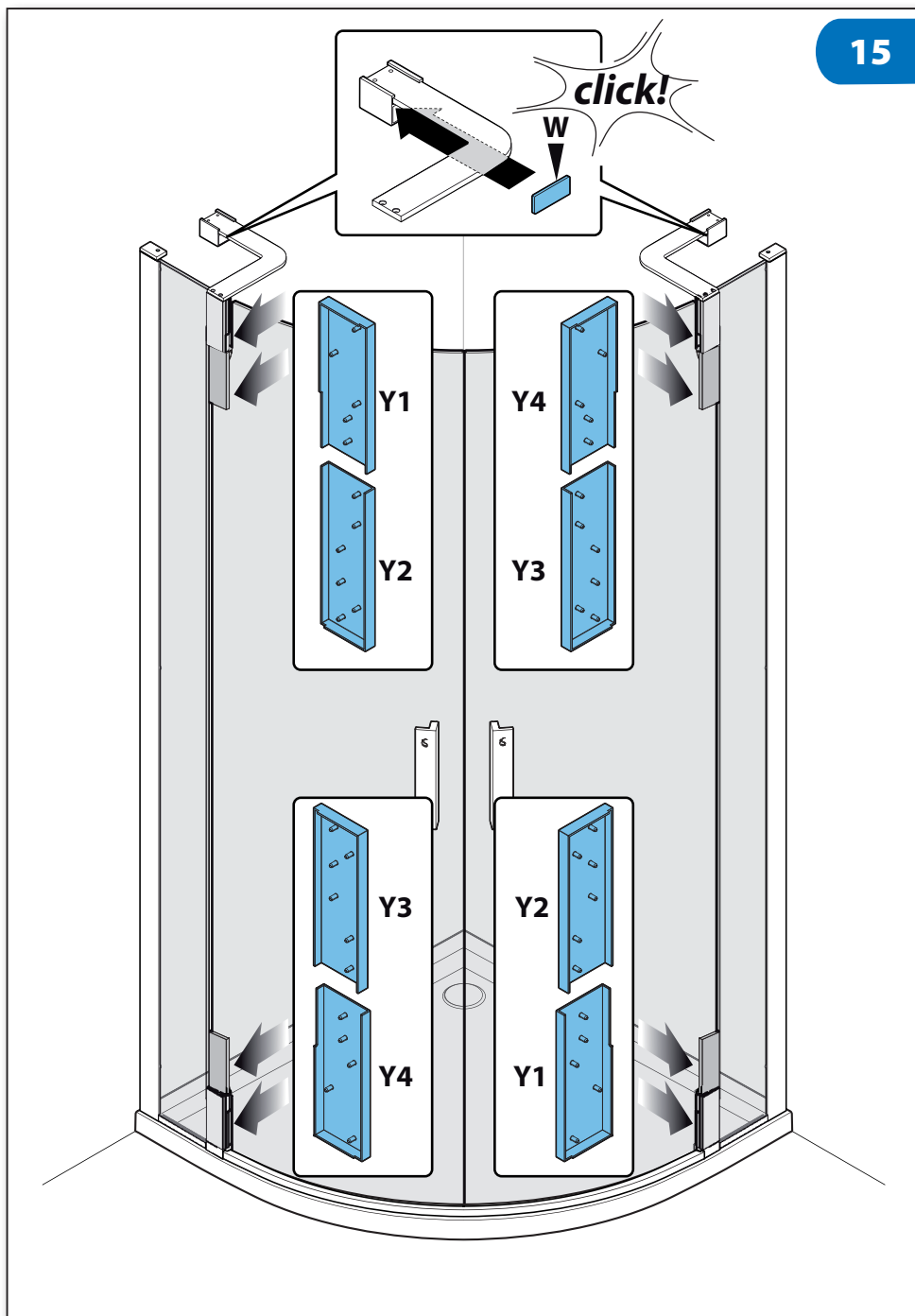


7

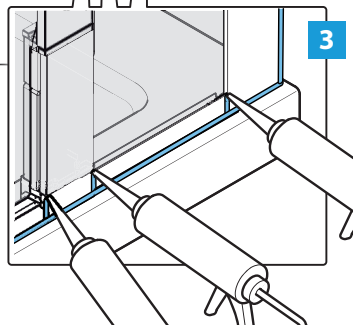
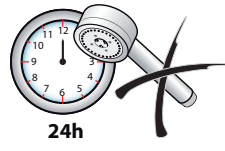
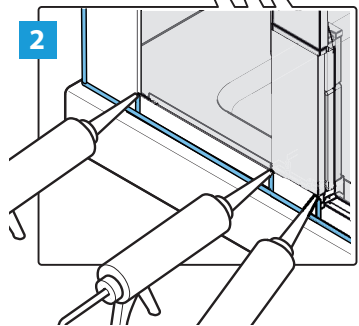
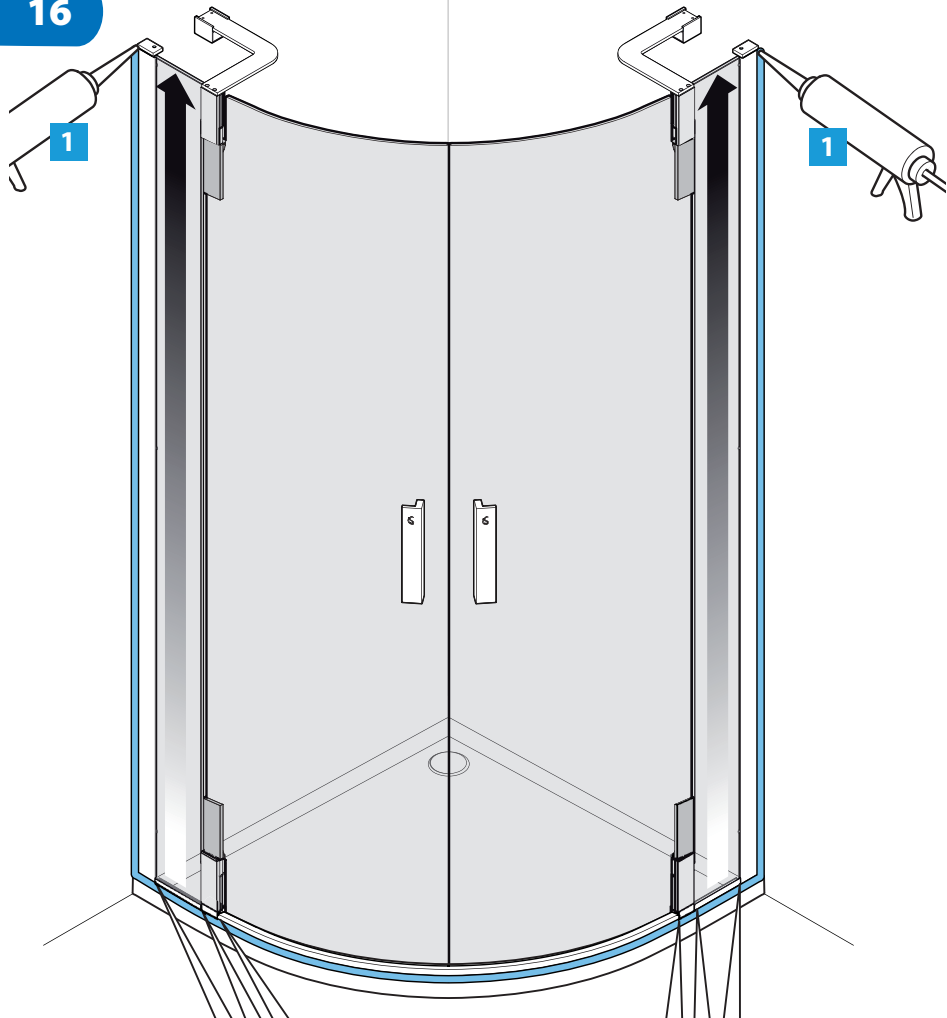


13





16





The Bathroom Works
National Avenue
Kingston upon Hull
HU5 4HS England
Telephone: (01482) 346461
Telefax: (01482) 445886.

CUSTOMER CARE HELPLINE
0870 1296085
CUSTOMER CARE FAX LINE 01482 499611
email: ukcustcare@IdealStandard.com

Ideal Standard pursues a policy of continuing improvement in design and performance of its products.
The right is, therefore, reserved to vary specifications without notice.