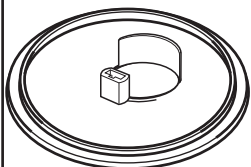


## PUSH BUTTON Installation Instructions

Components included  
in pack



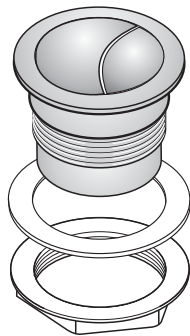
**Plunger plate**  
1 off



**Rods**  
2 off



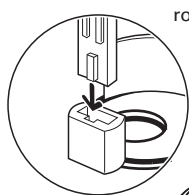
**Rod boot**  
1 off



**Push button  
assembly**  
1 off

**1**

Push rod into  
plunger plate.

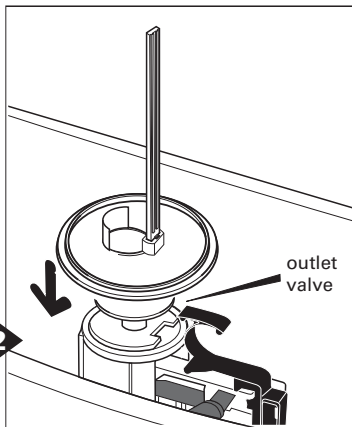


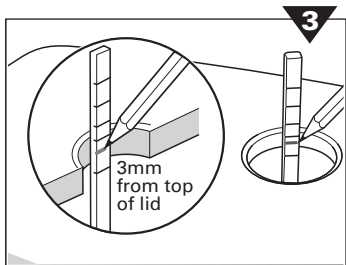
plunger  
plate

rod

**2**

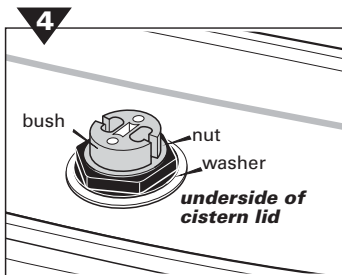
Place plunger plate on top of  
outlet valve.



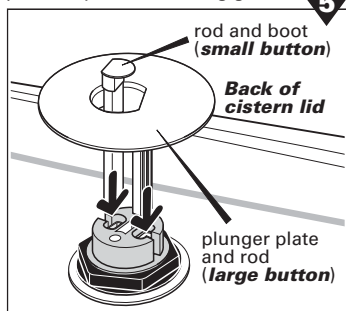


**3** Place lid on cistern and mark rod height. Remove rod from plunger plate and cut to marked length - (must be square cut) Cut second rod to same length.

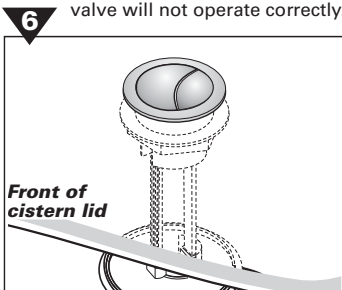
Fit bush, washer and nut to cistern lid - Ensure correct orientation of button - large button on left when viewed from front of the tank.



Push rod into plunger plate and push fully into guide. Assemble other rod and boot and push fully into remaining guide.



**4** Place lid on cistern. If rods are too long or not fully pushed into plunger plate or boot, the outlet valve will not operate correctly.



**CUSTOMER CARE HELPLINE**  
**0870 1296085**  
**FAX LINE 01482 499611**  
**email: [ukcustcare@IdealStandard.com](mailto:ukcustcare@IdealStandard.com)**

We pursue a policy of continuing improvement in design and performance of our products. The right is, therefore, reserved to vary specifications without notice.