

Figure 1

Ensure that the plastic sleeves, that lock the seat and cover together, are present, Figure 1, before inserting the hinge pins into the sleeves.

Check the orientation of the hinges, Wall Hung pans throw backwards, Figure 2a, Close Coupled and Back to Wall pans throw forwards, Figure 2b. This ensures that the seat lines up correctly.

Fit rubber centralising washers into the holes in the pan and lower the seat and cover, Figure 3, ensuring that the hinges are inserted in the holes in the centralising washers.

Firstly fit a plastic coated washer, then a steel spring washer and nut to the thread of each hinge, Figure 4, before tightening with the tool provided.

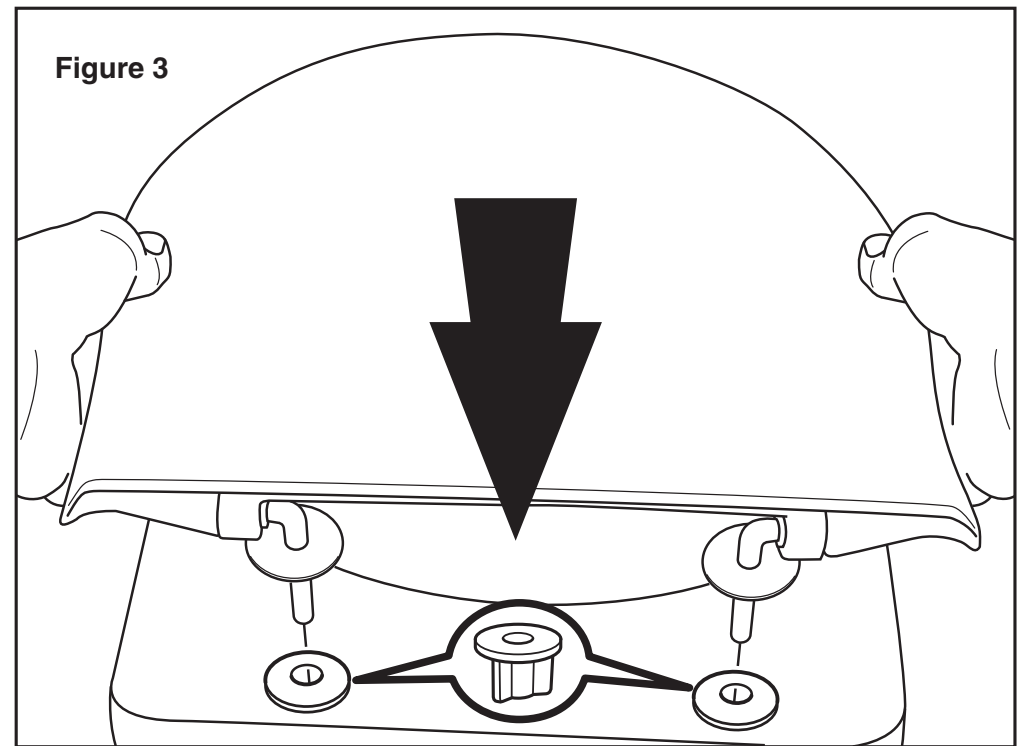


Figure 3

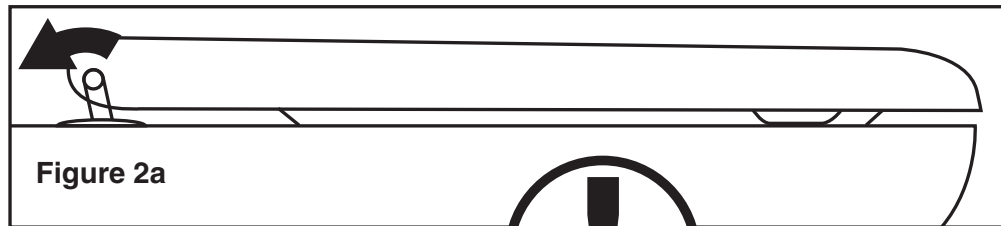


Figure 2a



Figure 2b

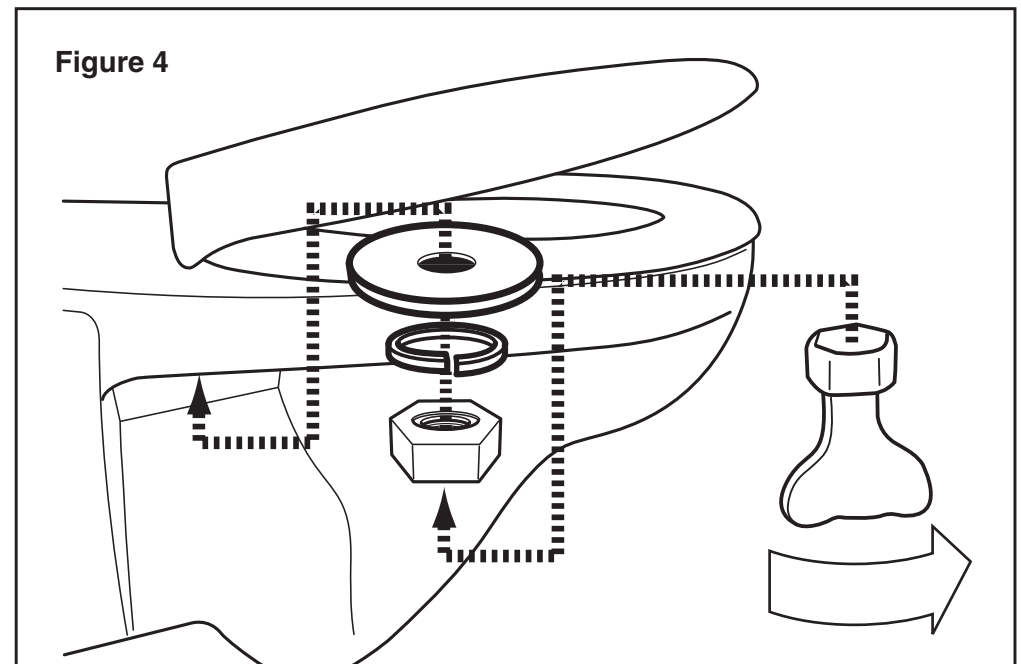


Figure 4

□ **CARE AND CLEANING INSTRUCTIONS**

- The seat and cover should be cleaned using warm soapy water.
- Do not use aggressive or abrasive cleaners as this may scratch the surface of the seat.
- The hinges should be cleaned using soap, or a mild detergent. After cleaning the hinges should be rinsed in clean water and dried.
- Never use bleach, concentrated cleaners or acids on the hinges as this will cause discolouring and pitting.
- Do not leave bleach in the toilet bowl with the cover closed because this may cause discolouration of the seat and hinges.
- Take care not to splash the hinges when using bleach in the toilet bowl.

The Bathroom Works  
National Avenue  
Kingston upon Hull  
HU5 4HS  
England  
Telephone: (01482) 346461  
Telefax: (01482) 445886.

**CUSTOMER CARE HELPLINE**  
**0870 1296085**  
**FAX LINE 01482 499611**  
ukcustcare@idealstandard.com

Ideal Standard (UK) Ltd. pursues a policy of continuing improvement in design and performance of its products. The right is, therefore, reserved to vary specifications without notice.

4453 05/08

## Toilet Seat Installation Alto and Halo Closets

Important Care and  
Installation Instructions,  
Please retain for future reference.