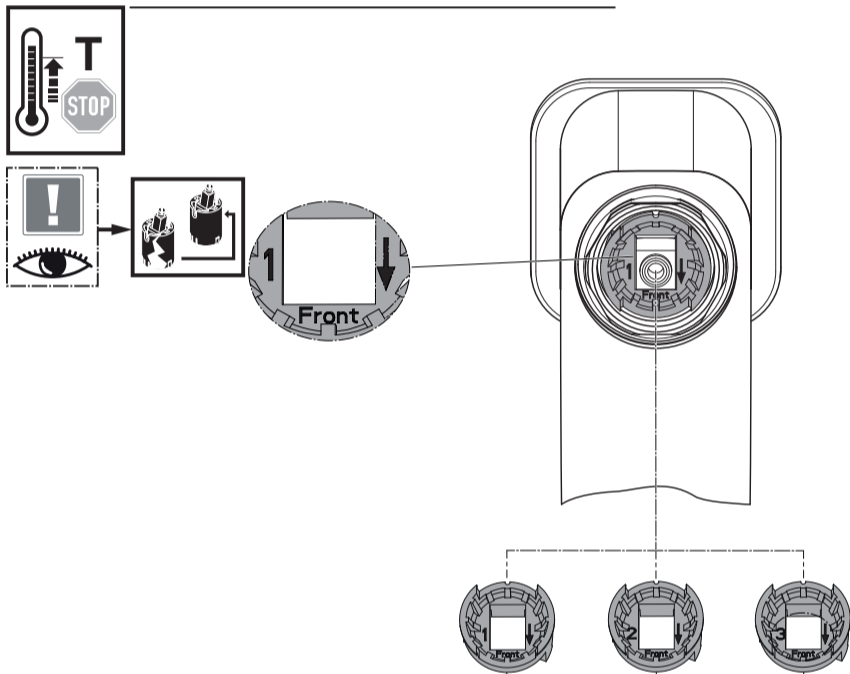
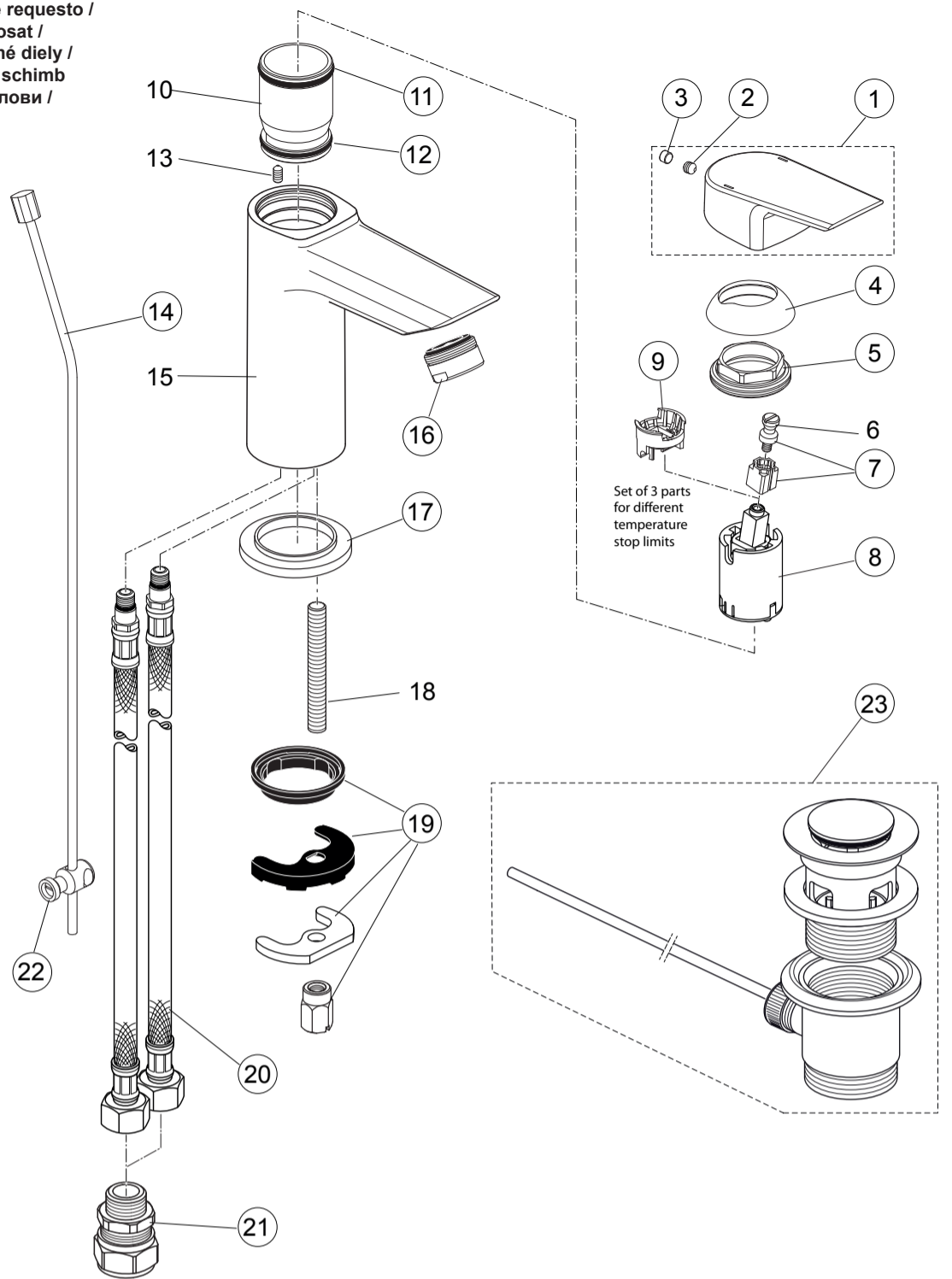


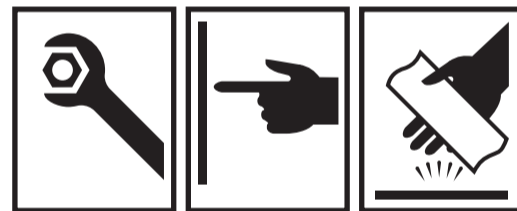


Spare Parts / Ersatzteile / Pièces de recharge / Pezzi di Ricambio / Piezas de requesto /
 Parte de reposição / Reserveonderdelen / Reservdelar / Reservedeler / Varaosat /
 Vraosat / Varahlutir / Ανταλλακτικά / Yedek Parçalar / Náhradní díly / Náhradné diely /
 Nadomestni deli / Резервни части / Запчасти / Części Zapasowe / Piese de schimb
 / Rendelhető alkatrészek / Заспáснi чáстини / Reservni delovi / Резервни делови /
 Резервни делови / Atsarginių dalių / Tellitavad varuosad / Rezervju daļu

- | | | |
|----|--------------|------------------|
| 1 | A 861 018 AA | 1 Set |
| 2 | A 860 603 NU | 1 pcs |
| 3 | A 963 751 NU | 1 pcs |
| 4 | F 960 975 AA | 1 pcs |
| 5 | B 961 087 NU | 1 pcs |
| 7 | A 860 892 NU | 1 Set |
| 8 | F 960 855 NU | 1 Set |
| 9 | B 961 088 NU | 1 Set |
| 11 | A 963 299 NU | 1 pcs |
| 12 | A 962 825 NU | 1 pcs |
| 14 | B 961 119 AA | 1 Set |
| 16 | B 960 754 AA | 1 pcs (5L/min) |
| | A 961 625 AA | 1 pcs (FullFlow) |
| 17 | B 960 712 AA | 1 pcs |
| 19 | A 964 520 NU | 1 Set |
| 20 | A 963 685 NU | 1 pcs |
| 21 | B 960 845 NU | 2 pcs |
| 22 | A 961 172 NU | 1 pcs |
| 23 | B 960 853 AA | 1 Set |



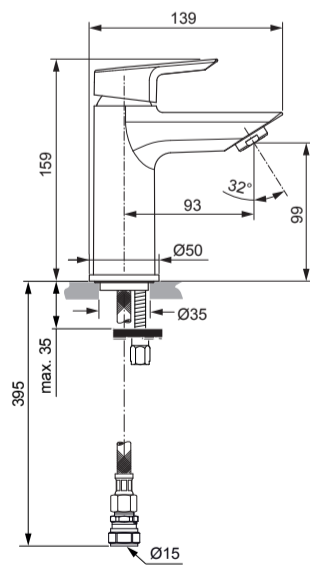
P	50°C	13°C	Temperature			
			1	2	3	3
0,3 MPa 3 bar	50°C	13°C	50	44	39	35,5
	65°C	13°C	65	54,5	48	43,5
	75°C	13°C	75	64	55,5	50,5



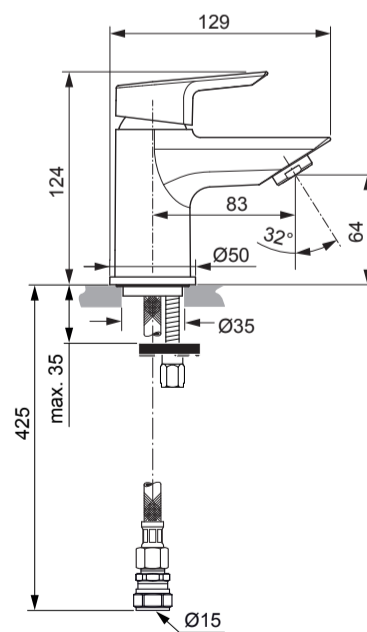
Tesi
 A 6587 .. A 6588 .. A 6592 ..



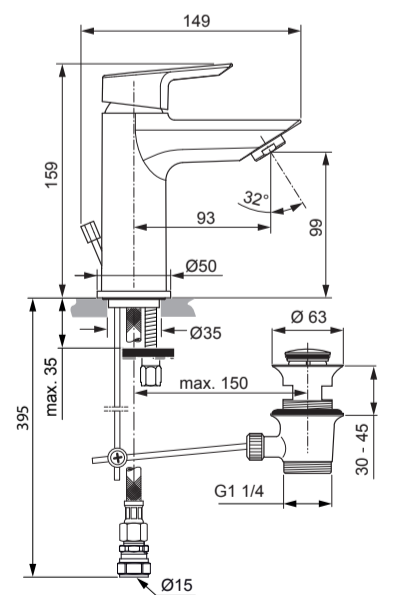
1015 / A 868 154
 (+ A 865 612)
 Made in Germany



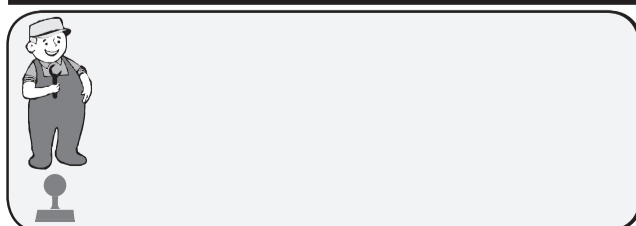
A6587



A6588

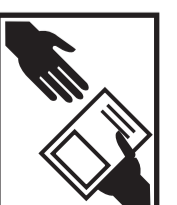


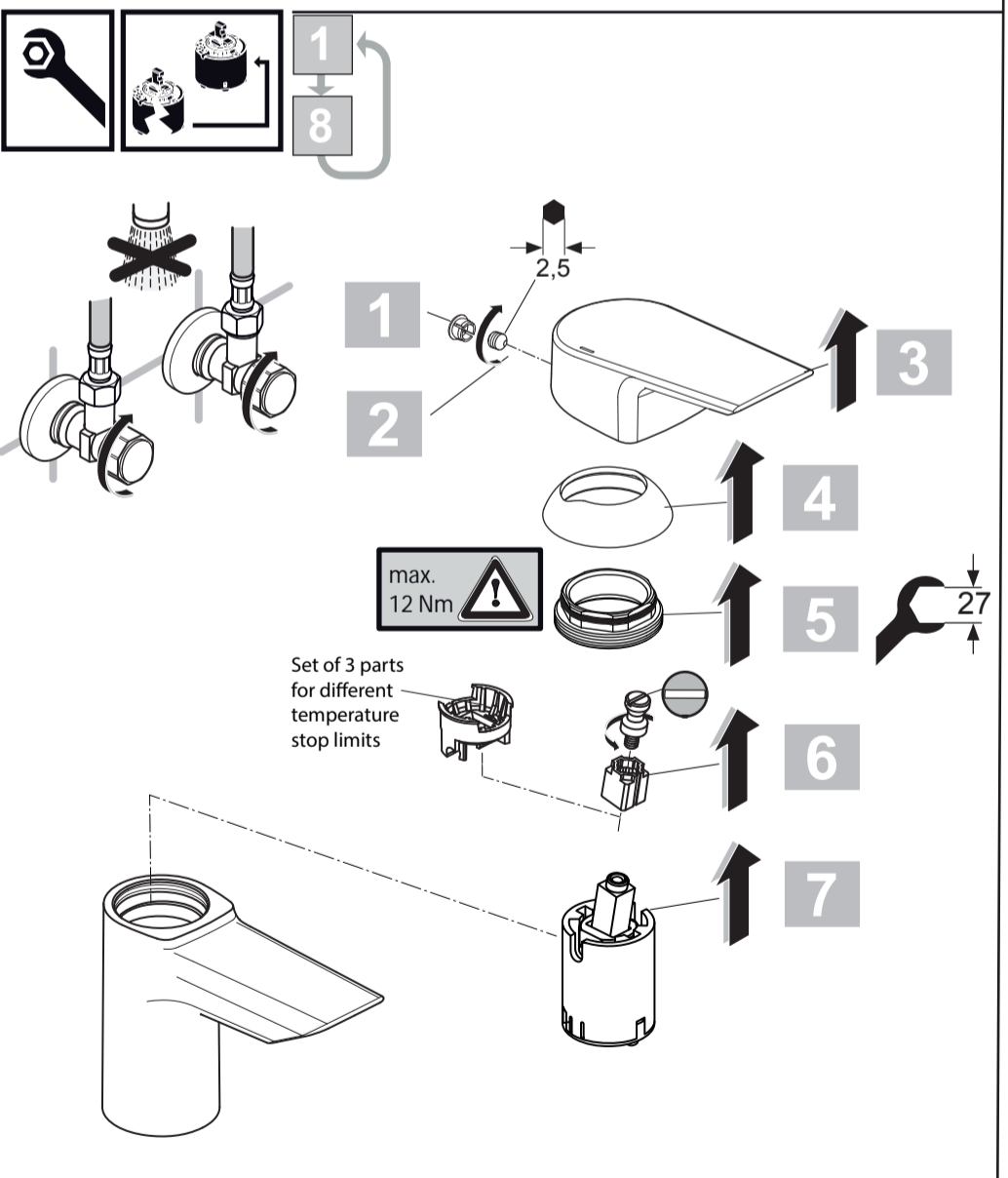
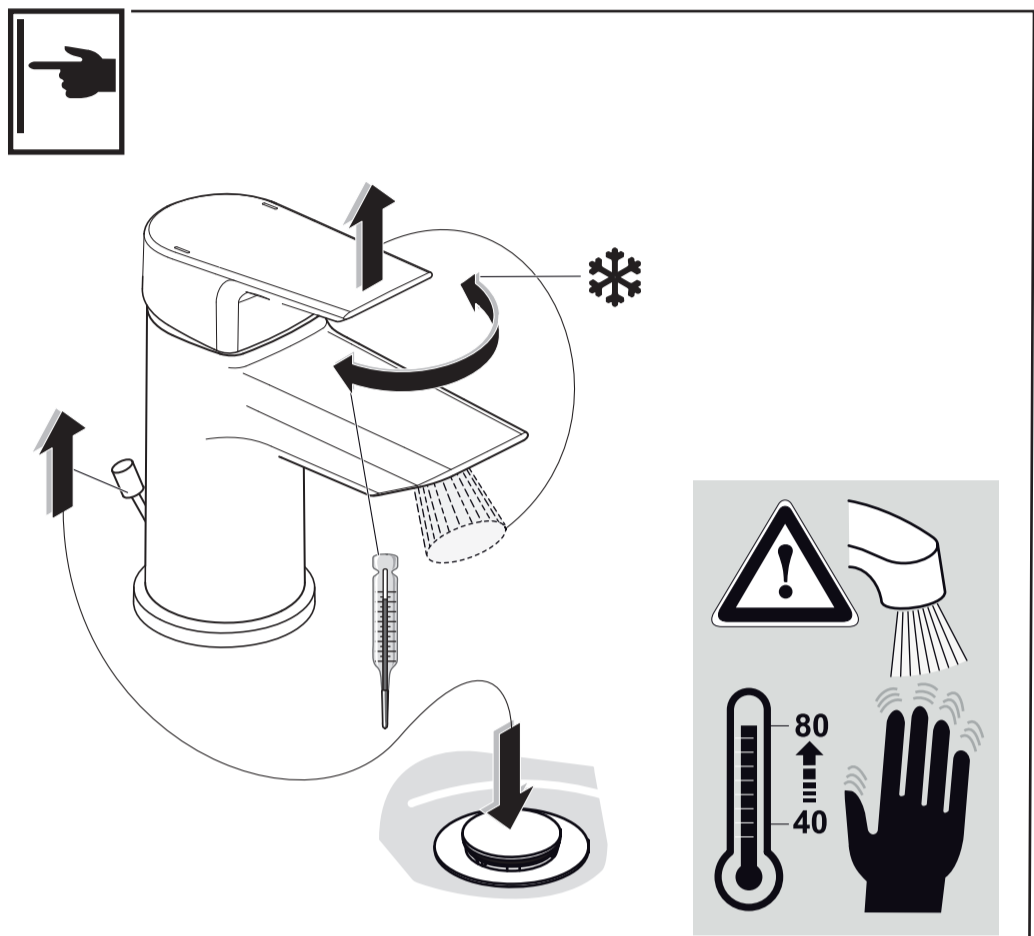
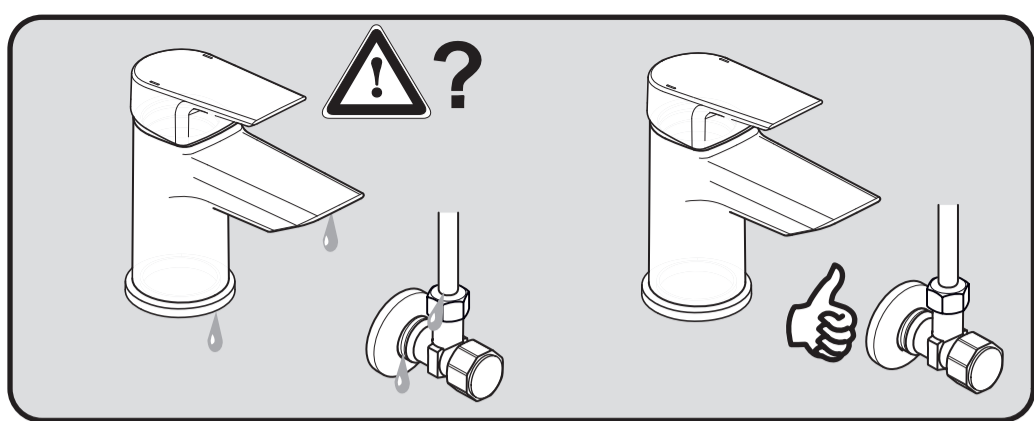
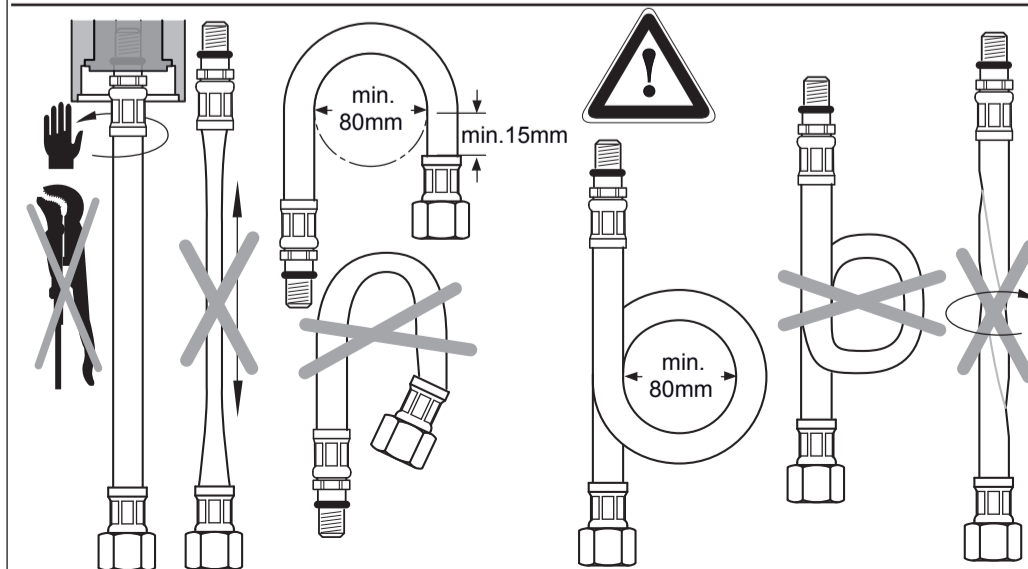
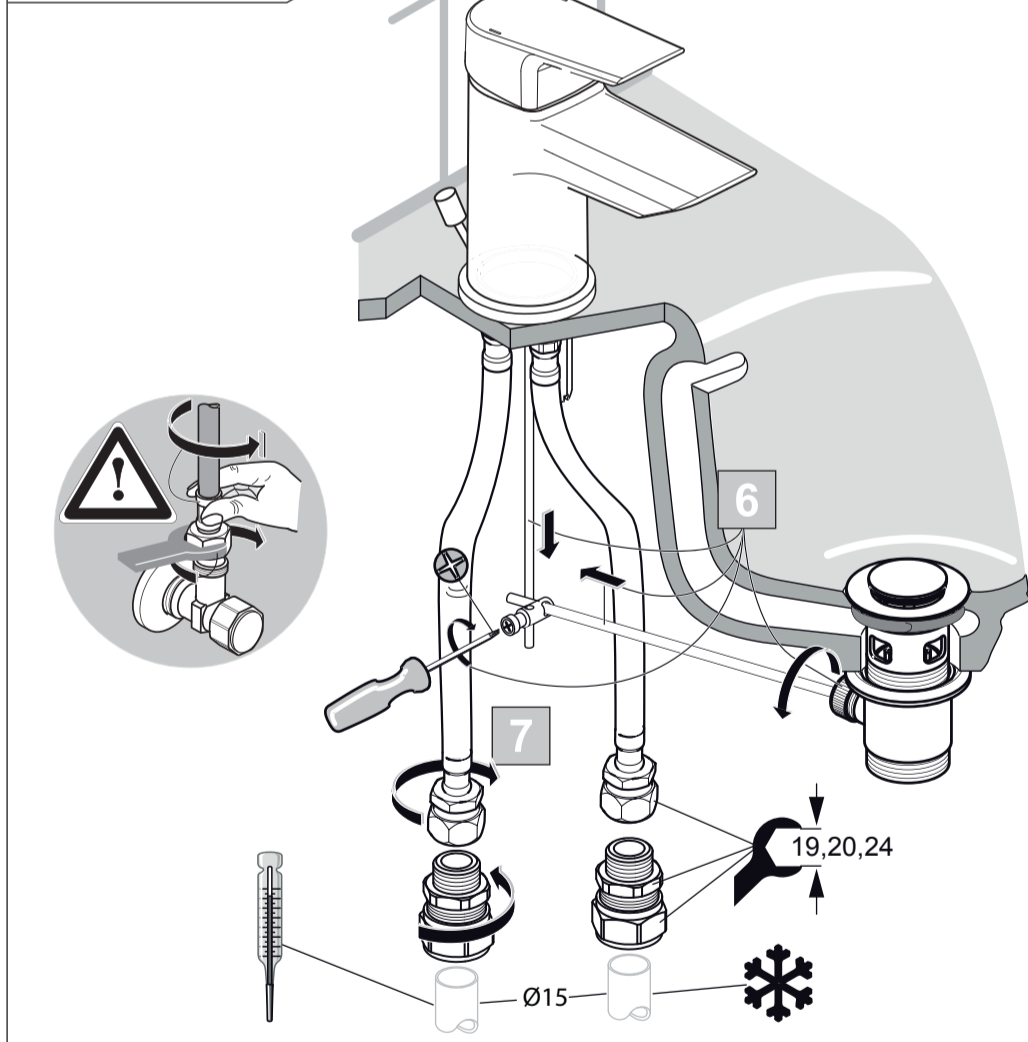
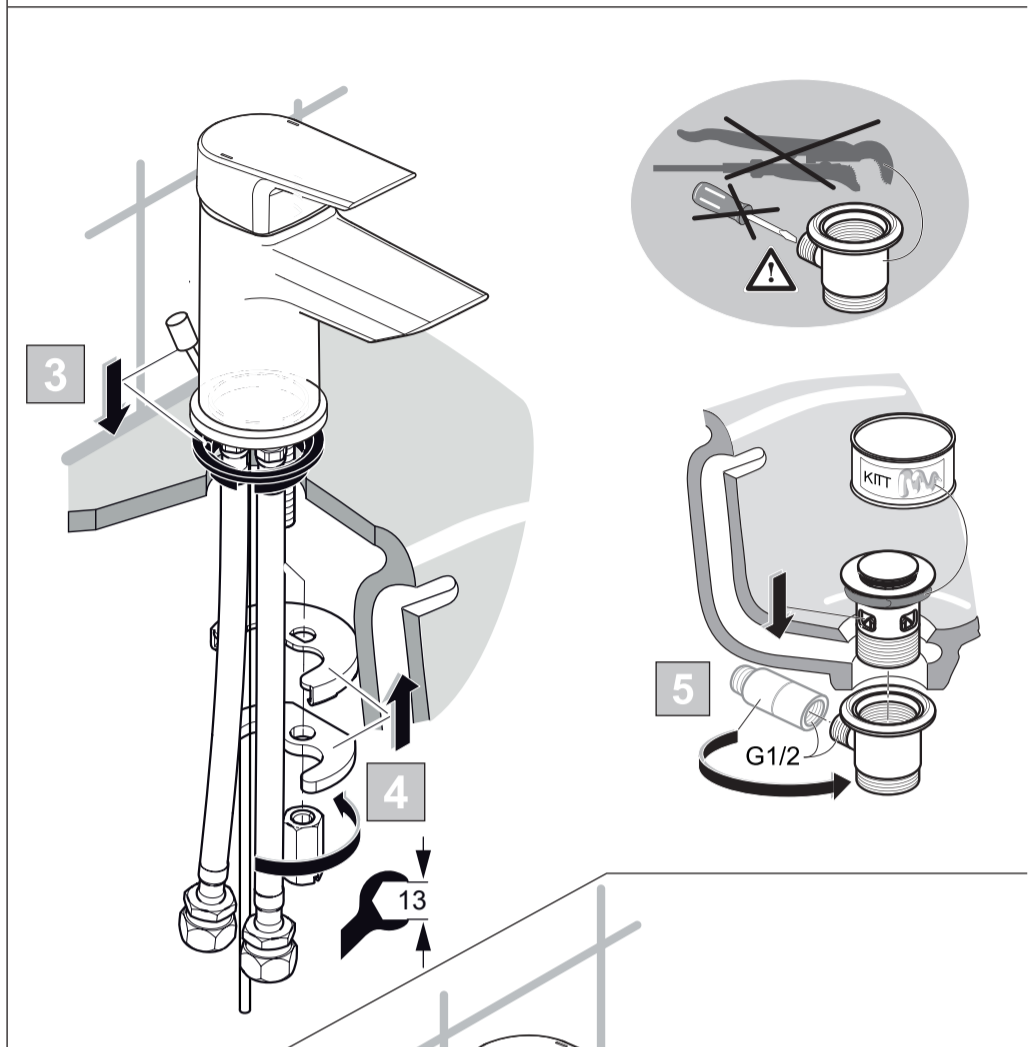
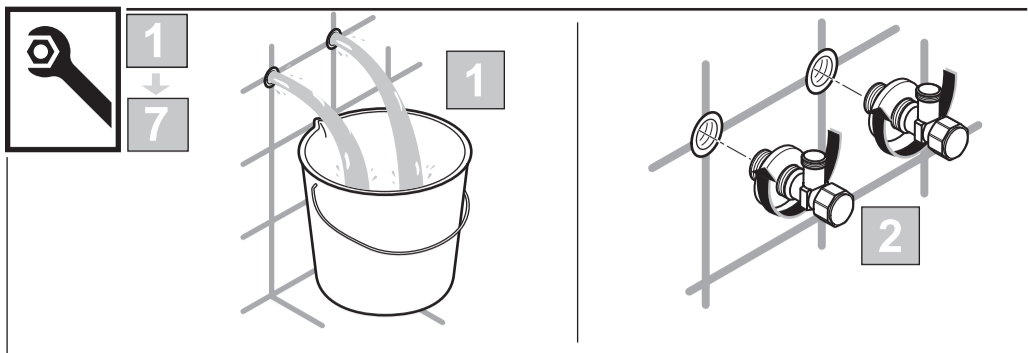
A6592



Ideal Standard International BVBA
 Corporate Village - Gent Building
 Da Vincilaan 2
 1935 Zaventem
 Belgium

www.idealstandardinternational.com





	P	bar	0,3		MAX. 10	5		Q	(0,3 bar)
	T	°C			MAX. 80	65		l/min	4,3