

INSTALLATION INSTRUCTIONS

A5525AA SECOND OUTLET KIT FOR IN-LINE THERMOSTATIC SHOWER VALVE



The second outlet kit allows your thermostatic mixer to be connected to a fixed overhead shower

Kit contains

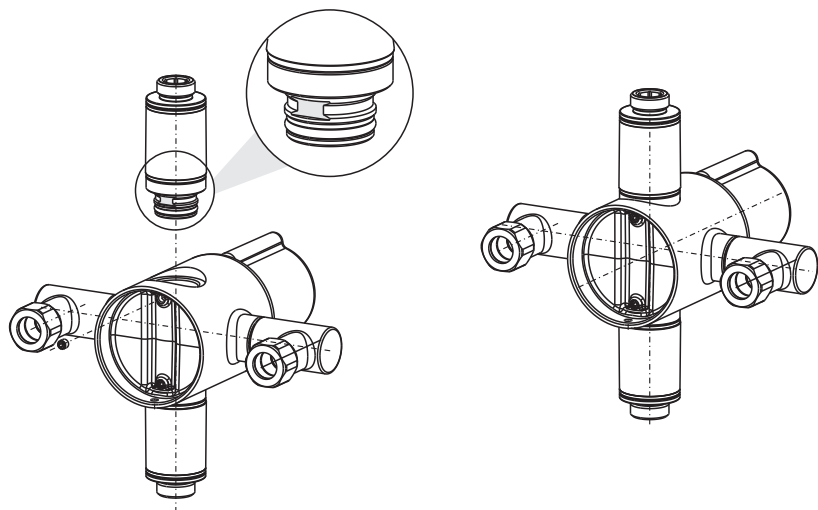
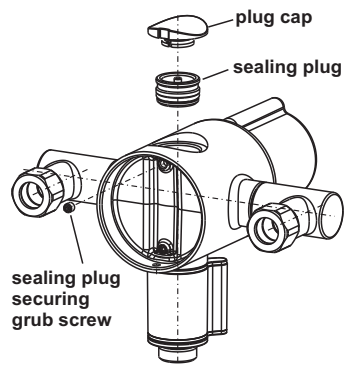
2.5mm A/F Hexagonal Key,
ILV Assembly Clockwise Close,
Instruction leaflet

Important!

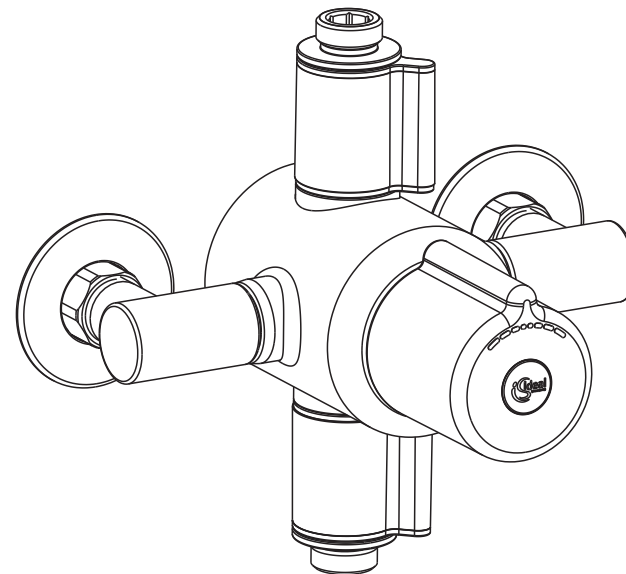
Mixer must not be connected to the water supply when adding the second outlet.

If mixer has been fitted to the wall, it must be removed to permit access to rear.

1. Using a small screwdriver carefully remove the plug cap from the sealing plug at the top of the mixer.
2. Remove the Sealing plug securing grub screw from the rear of the mixer with a 2.5mm hexagonal key (supplied).
3. Remove the sealing plug, using pliers to grip the central peg.
4. Assemble the second outlet, taking care to align the outlet flat with the securing grub screw shown.



5. Fit and tighten the securing grub screw against the outlet flat with the 2.5mm hexagonal key (supplied).



CUSTOMER CARE HELP LINE

0870 129 6085

CUSTOMER CARE FAX

01482 499611

E-MAIL

UKcustcare@idealstandard.com

Ideal Standard pursues a policy of continuing improvement in design and performance of its products.

The right is therefore reserved to vary specification without notice.

Ideal Standard is a division of
Ideal Standard (UK) Ltd

Ideal Standard,
The Bathroom Works, National Avenue
Kingston-upon-Hull, HU5 4HS, England

T122/3 - 04/10

A866226