

2 GENERAL

The fittings covered by this installation and maintenance instruction should be installed in accordance with the water regulations published in 1999*, therefore, Ideal Standard would strongly recommend that these fittings are installed by a professional installer

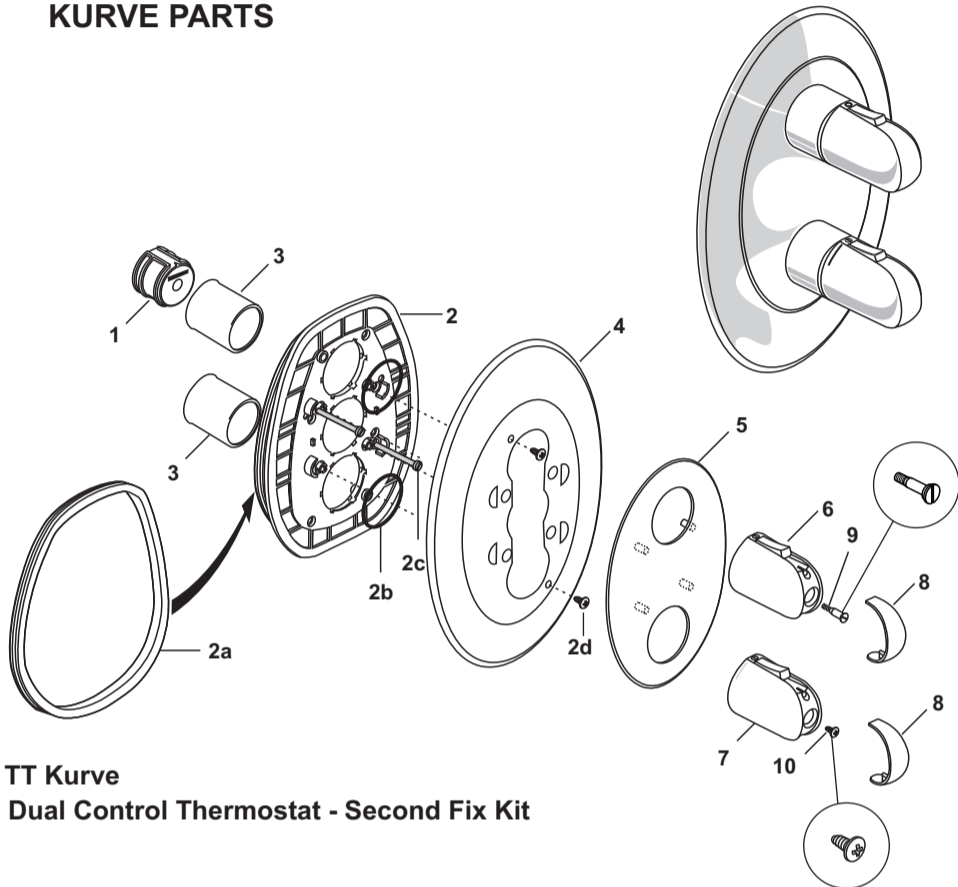
*A guide to the Water Supply (Water Fittings) Regulations 1999 and the Water Byelaws 2000, Scotland, is published by WRAS (Water Regulations Advisory Scheme) Fern Close, Pen-y-Fan Industrial Estate, Oakdale, Newport, NP11 3EH. ISBN 0-9539708-0-9

The second fix kits detailed in the following pages are designed to be installed with the valves listed below.

TT Valve Dual Control First Fix Kit	A3969NU Ins. Ref. No.	E96549000
TT Central Valve First Fix Kit	A3970NU Ins. Ref. No.	E96549100
Stop Valve	A4860AA Ins. Ref. No.	E96549100

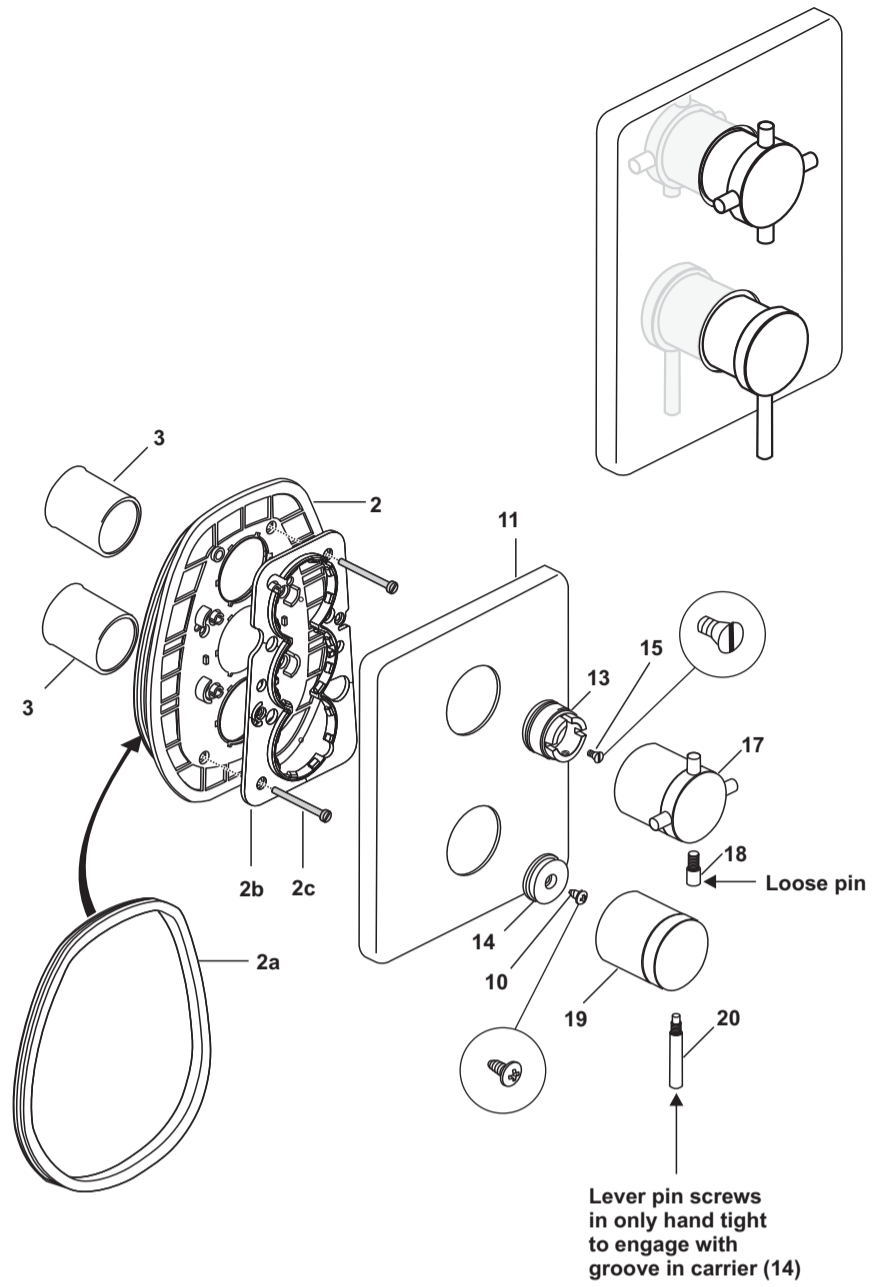
Instructions for installing the valves are packed with them but further copies can be obtained from Customer Care (see back cover for contact details) quoting the reference numbers above.

KURVE PARTS



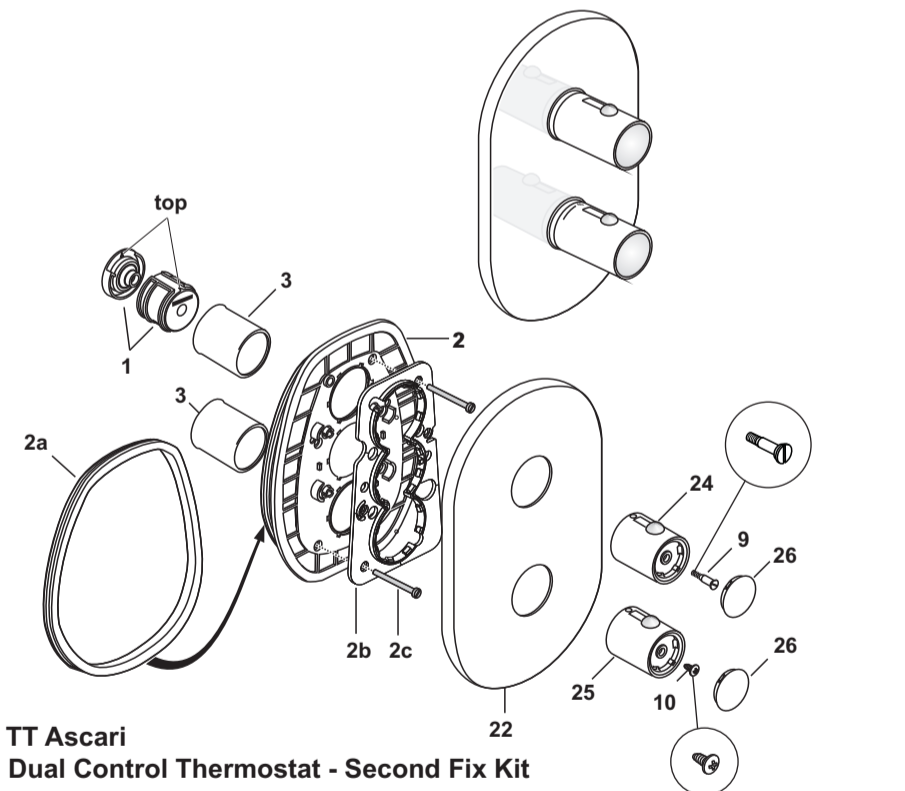
TT Kurve
Dual Control Thermostat - Second Fix Kit

3 OPOSTA PARTS

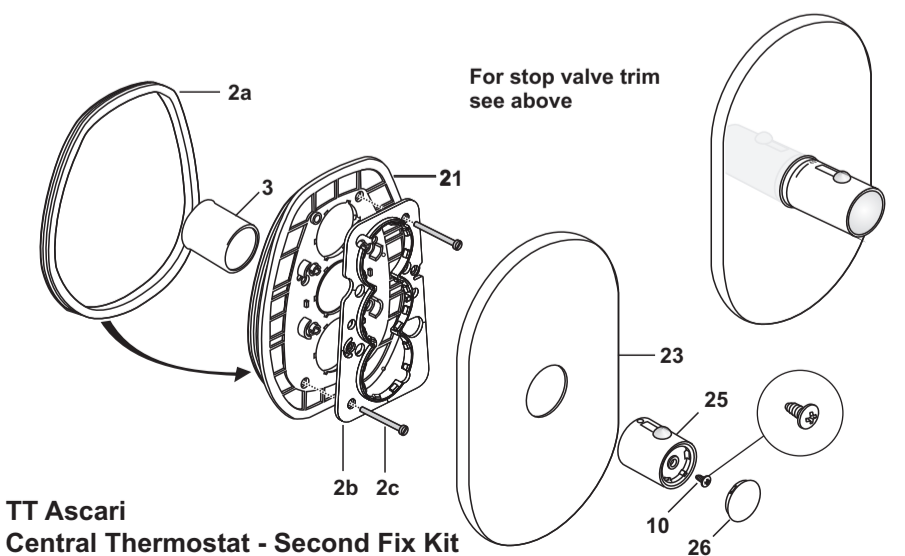


TT Oposta
Dual Control Thermostat - Second Fix Kit

4 ASCARI PARTS

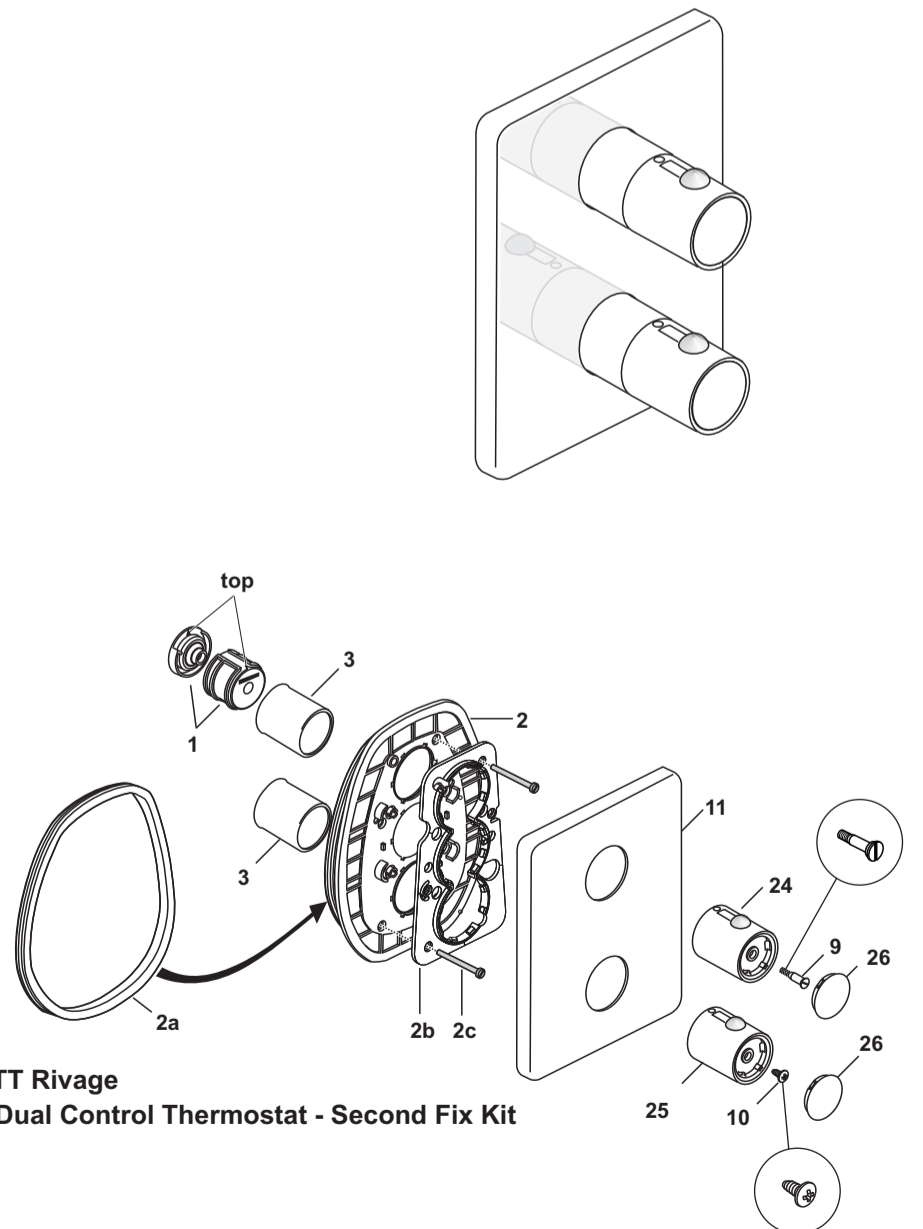


TT Ascari
Dual Control Thermostat - Second Fix Kit



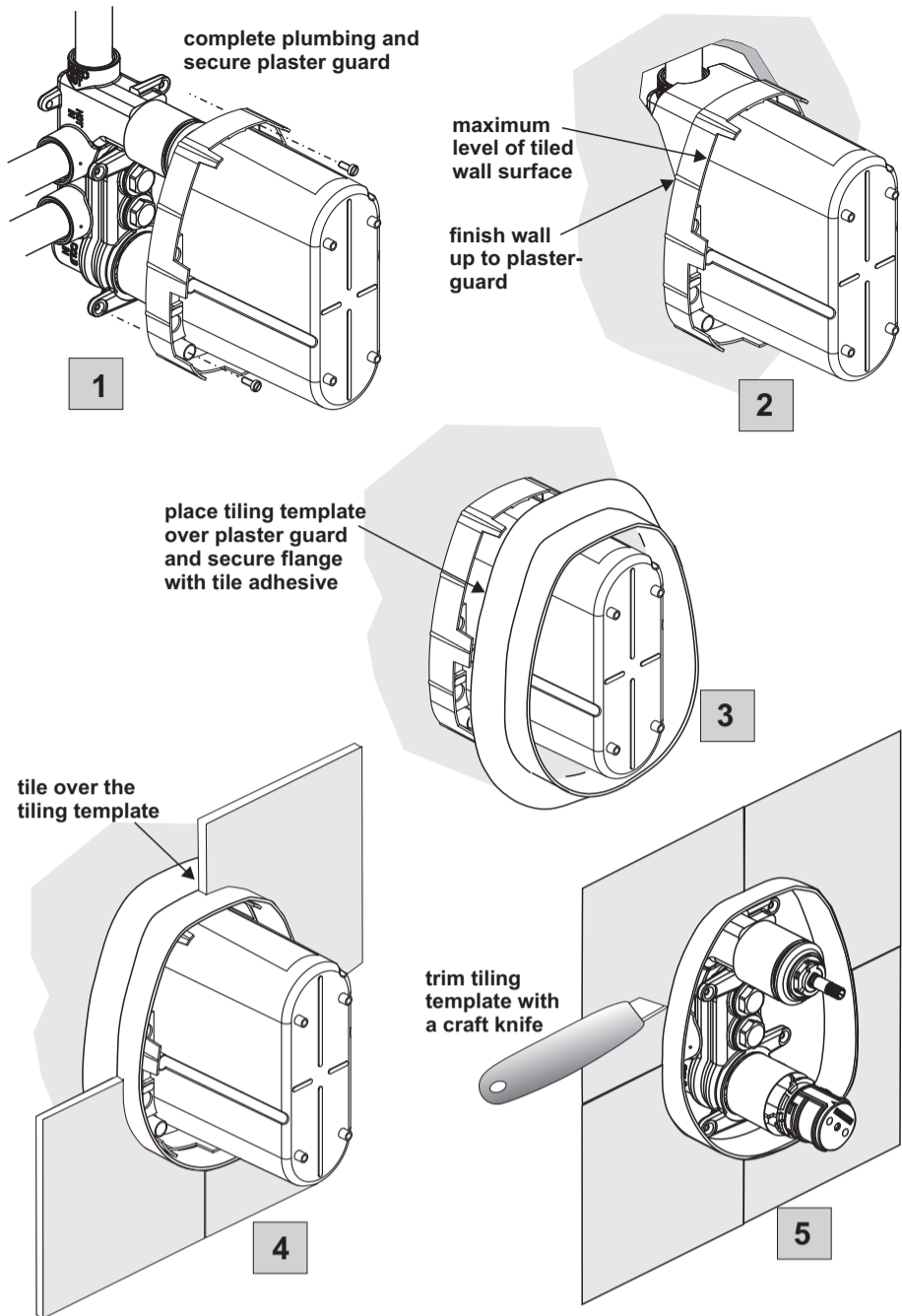
TT Ascari
Central Thermostat - Second Fix Kit

5 RIVAGE PARTS & FLOW CONTROL STOP



TT Rivage
Dual Control Thermostat - Second Fix Kit

6 TILING WITH THE TEMPLATE



7 FITTING THE FACEPLATES

The TT Valve should be fitted as recommended in the leaflet packed with it. For completeness some of the guidance for making good the wall is repeated here.

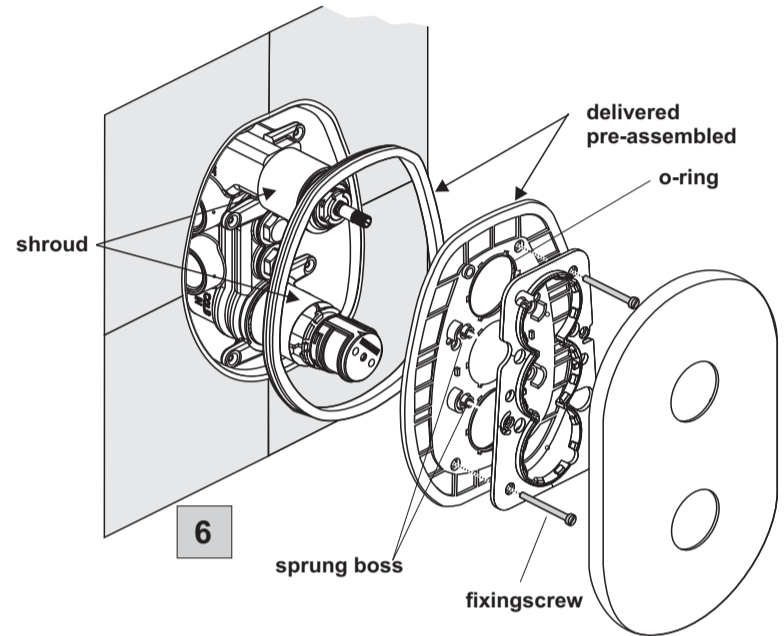
1. Place the plaster guard over the valve body and fix in position using the screws provided.
2. Make good the wall up to the plaster guard.
3. Push the tiling template over the plaster guard and attach to the wall using tile adhesive.
4. Complete the tiling, trimming the tiles around the tiling template as shown
5. Trim the tiling template back to the tiled wall surface using a craft knife and de-burr the inside edge of the template to permit a good lead-in for the back plate seal.

6. Ensure the shrouds are fitted to the valve body. Push the back plate, with its seal attached, into the tiling template until it touches the tiled wall surface, ensuring that the o-rings slide smoothly over the shrouds (if necessary these may be lubricated with water containing a little washing up liquid) and secure using the two screws provided.

7. Push the face plate onto the back plate so that the four pins on the face plate engage in the sprung bosses of the backplate.

For the Kurve where the faceplate is in two parts, place the rear faceplate over the bosses and secure using the two self tapping screws then fit the face plate trim as above.

Attach the handles using the screws provided and snap the covers in place.



8 PARTS

Ref.	Description	Ref.	Description
1	Flow control handle carrier	11	Oposta/Rivage faceplate
2	DC escutcheon holder	13	Oposta flow handle carrier
2a	Gasket escutcheon holder	14	Oposta temp handle carrier
2b	Escutcheon holder small	15	Screw for flow handle carrier
2c	Screws for plastic back plate	17	Oposta flow handle
3	Shrouds	18	Oposta flow handle loose pin
4	Rear faceplate	19	Oposta temp handle
5	Faceplate trim	20	Oposta temp handle loose pin
6	Kurve flow control handle	21	CT escutcheon holder
7	Kurve temperature handle	22	Ascari DC faceplate
8	Kurve handle cover cap	23	Ascari CT faceplate
9	Flow handle screw	24	Ascari/Rivage flow handle
10	Temperature handle screw	25	Ascari/Rivage temp handle
		26	Ascari/Rivage handle cap

CLEANING

When cleaning the shower valve always use soap based cleaners. Never use abrasive or scouring powders and never use cleaners containing alcohol, ammonia, nitric acid, phosphoric acid or disinfectants.

TT VALVE

THERMOSTATIC SHOWER VALVE SECOND FIX KITS



Installation Instructions

- A3973 TT Kurve DC Second Fix Kit
- A3974 TT Oposta DC Second Fix Kit
- A3971 TT Ascari DC Second Fix Kit
- A3972 TT Rivage DC Second Fix Kit
- A3975 TT Ascari Central Second Fix Kit

INSTALLER:
After installation please pass this instruction booklet to the user