

CLOSET SUITES

Installation Instruction

**CISTERN FITTINGS
PRE-FITTED**

The closet bowls have a horizontal outlet and should be connected to the soil pipe by a purpose made connector. In the event of the duct wall being more than 25mm thick, an extension piece may have to be fitted. Designed to suite the current Water Regulations, the cistern operates with a 6 litre maximum flush.

WARNING

Do not bed closet bowl to the floor with cement mortar otherwise the closet foot could split after installation.

SERVICING VALVES:

The Water Regulations require that a service valve be fitted adjacent to the cistern. This enables the water supply to be shut off, if required, without affecting supply to other appliances.

Cistern components are pre-fitted at the factory. Please check seal integrity and settings, as instruction supplied with the cistern, before assembly.

CLOSET SEAT It is recommended that fitting the closet seat be the last operation in the bathroom. This will avoid the risk of scratching the seat when tiling etc.

INSTALLATION

Position closet bowl and mark its outline on the floor. Mark on the floor, at both sides of the closet bowl the position of the screw holes in the closet foot, (Figure 1).

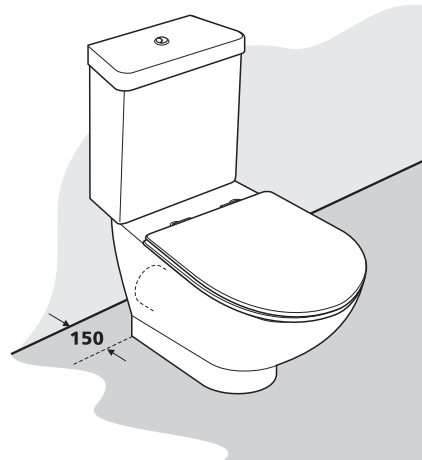


Fig. 1

Position the cistern, resting it on the rear of the closet and mark the cistern fixing screw hole positions on the wall, (Figure 2).

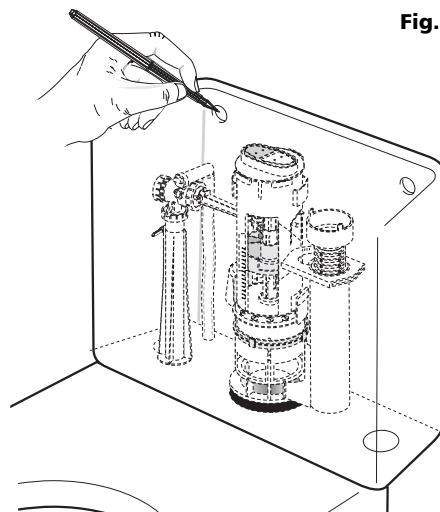
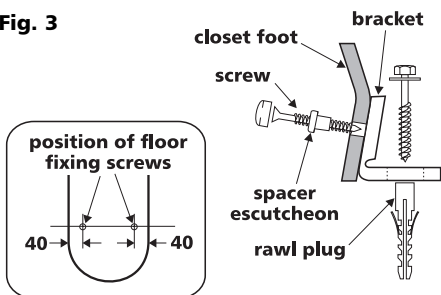


Fig. 2

Remove the cistern and closet bowl. Mark the position for the two floor fixing screws 40mm in from the line drawn around the closet. Drill and plug cistern mounting holes in wall.

Fig. 3

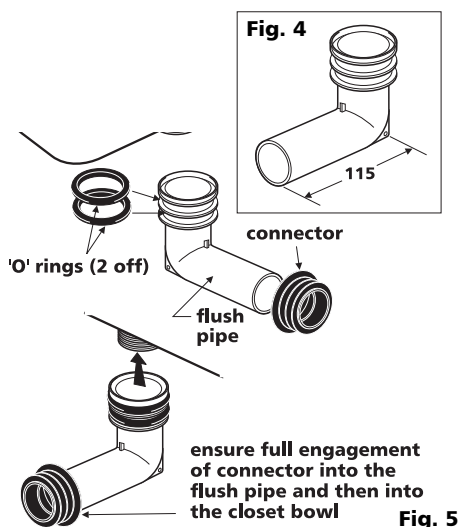


FITTING FLUSH PIPE ASSEMBLY

Cut horizontal portion of the flush bend to length, Figure 4.

Fit 'O' rings (x2) to flush bend, Figure 5.

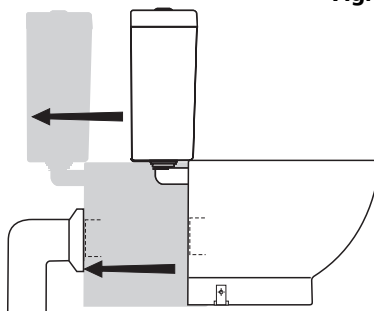
Insert short leg of bend (2 'O' rings) firmly into tail of valve, Figure 5.



FIT OUTLET CONNECTOR TO WASTE PIPEWORK

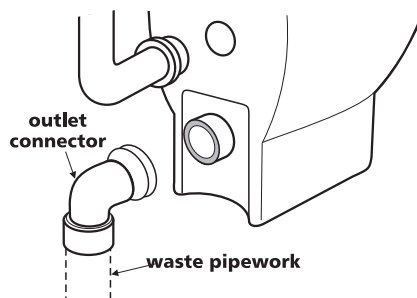
Fit outlet connector to waste pipework, Figure 6, (not supplied), ready to take closet.

Fig. 6



Re-locate closet and cistern making connection of closet to flush bend and waste outlet connector. Ensure both connectors are pushed fully home.

Note: This may be a 2 man operation.



Line up closet with marks on floor and screw closet to brackets, Figure 3.

Secure cistern to wall with No. 12 wood-screws (not supplied).

Connect float-operated valve to pipework and test. Ensure the water level in the cistern is at the correct level.

CUSTOMER CARE HELPLINE
0870 1296085
CUSTOMER CARE FAX LINE 01482 499611
e mail: ukcustcare@aseur.com

Ideal-Standard (UK) Ltd. pursues a policy of continuing improvement in design and performance of its products.
The right is, therefore, reserved to vary specifications without notice.

Ideal-Standard (UK) Ltd.

4274 04/05