

for UK use
pour ROYAUME-UNI uniquement
nur für Großbritannien
solo per UK – Regno Unito

**WALL
MOUNTED BIDET**

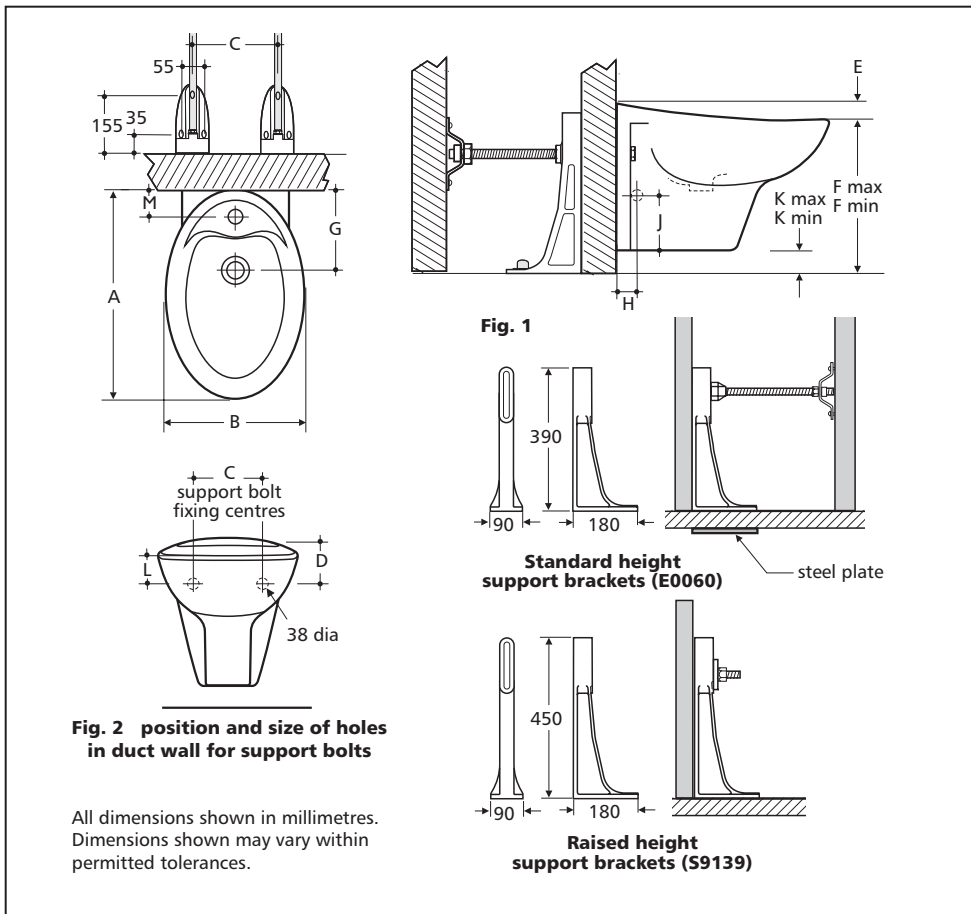


Installation Instruction

CONTENTS

- TECHNICAL INFORMATION
- PREPARATION
- BRACKET FIXATION
- BIDET FIXATION
- IN-WALL FRAME INSTALLATION

TECHNICAL INFORMATION



TECHNICAL INFORMATION

	A	B	C	D	E	F min	F max	G	H	J	K min	K max	L	M
Celano	550	360	180	90	-	405	455	220	-	-	95	145	90	70
Concept	540	360	180	80	5	395	445	220	-	-	100	150	75	58
ConceptSpace	480	360	180	80	5	395	445	190	-	-	90	140	75	58
Delineo	515	365	180	80	-	400	450	210	-	-	120	170	80	65
Moments	580	345	180	80	-	400	450	220	-	-	70	120	80	55
Santorini	540	360	180	80	5	395	445	220	-	-	100	150	75	58
Softmood	540	360	180	90		405	455	215			115	165	90	65
Tonic	545	360	180	80	-	400	450	220	-	-	60	110	80	56
Ventuno	560	355	180	90	-	405	455	220	-	-	125	175	90	70
White	530	380	180	80	-	400	450	205	-	-	100	150	80	60

Note:-

Dimensions F and K max, can increase by 65mm when used with the raised height support brackets

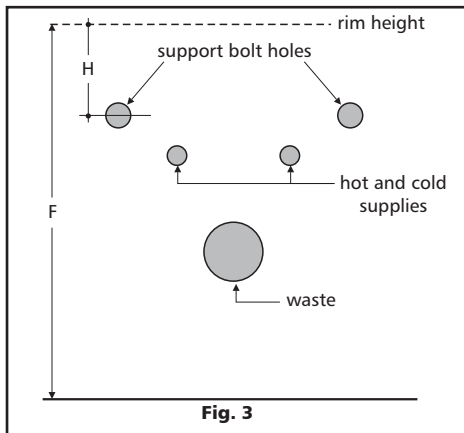
PREPARATION

The wall mounted bidets are designed for a ducted installation and are secured to the duct wall and floor with concealed brackets.

An access panel in the duct or some other form of access should be provided for maintenance purposes.

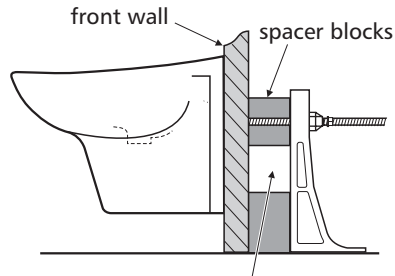
The wall mounted bidet can be installed with the rim height as indicated in Fig. 1. Decide on rim height and mark on the wall.

Mark holes for hot and cold supplies and waste and cut out.



IMPORTANT

When installing the bidet on support brackets, it is important to ensure that there are no voids left between bidet and support brackets, particularly at the fixing point and the bottom edge of the bidet.



where there is a void between the pan and the bracket this must be filled with spacer blocks (as shown) or equivalent

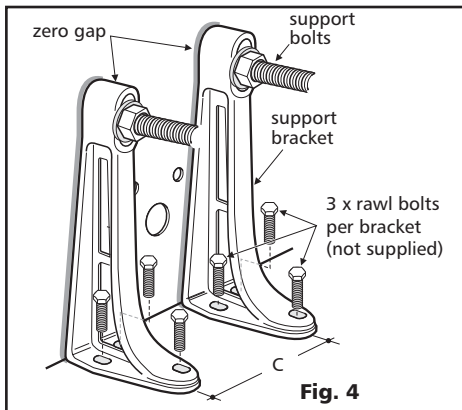
It is the installers responsibility to ensure that the floor and wall construction and the method of securing to these are capable of withstanding the loads likely to be applied to the bidet.

FLOOR SUPPORT BRACKET FIXATION

Install support brackets as shown in (A) or (B)

(A) RAISED HEIGHT SUPPORT BRACKETS (S9139)

1. Fix the support bolts as shown in instruction supplied with brackets. Ensure that sufficient support bolt protrudes through the front wall to support the bidet.
2. Fix support brackets to floor. The support brackets must be attached to a floor surface capable of withstanding the load. It may be necessary to reinforce a wood floor by bridging the joists with additional beams. The support brackets must be bolted into position using 10mm rawl bolts or similar, (not supplied).



(B) STANDARD HEIGHT SUPPORT BRACKET (E0060)

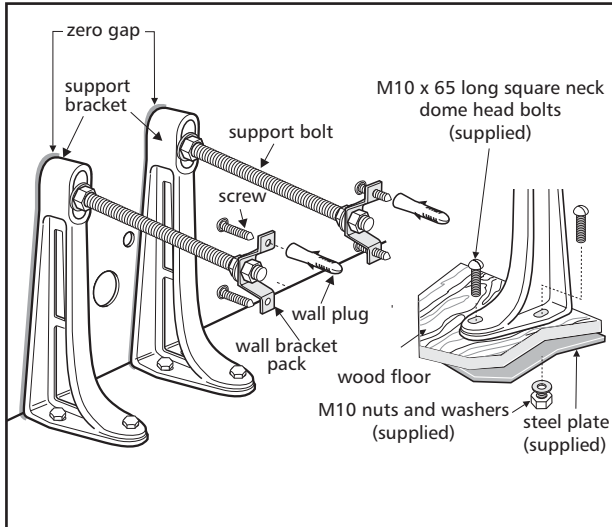
1. Fix support brackets to floor.
The support brackets must be attached to a floor surface capable of withstanding the load.

In the case of a wood floor use the steel plate and fixings supplied.

2. Fix support bolts to the support brackets.

Place wall brackets on support bolts and screw to the rear wall with plugs and screws supplied.

Ensure that sufficient bolt protrudes through the front wall to support the bidet.



BIDET FIXATION

Install bidet as shown in (C), (D1) or (D2)

With fittings, waste and trap in place attach the bidet to the finished wall surface.

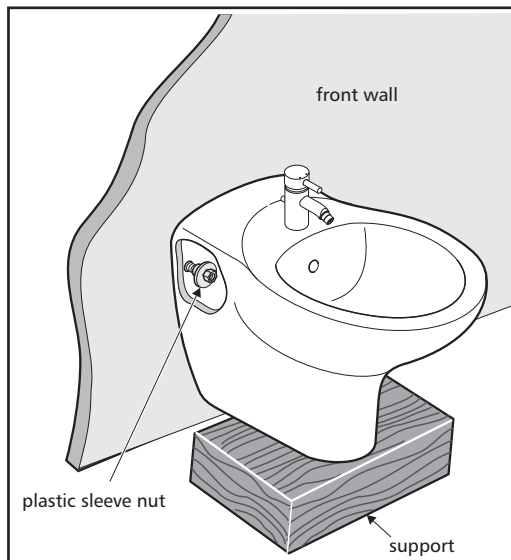
(C) STANDARD FIXATION

Locate bidet on support bolts (cut to length as necessary), and secure with plastic sleeve nuts.

If necessary provide support under pan during fixing.

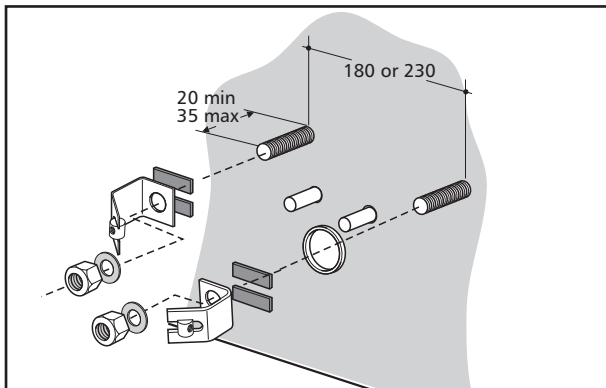
Care must be taken to ensure that the pop-up waste is correctly set as no adjustments can be made after the bidet is mounted.

Make water and waste connections and test.

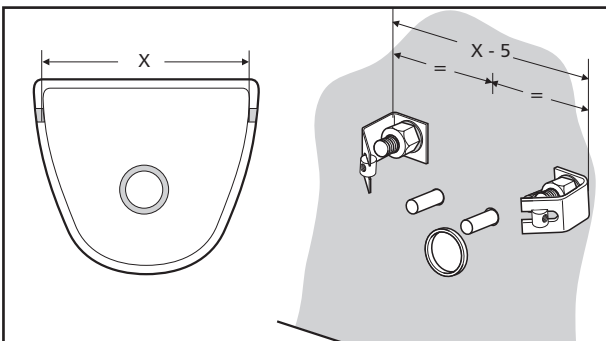


(D1) BRACKET FIXATION (T6010 and T6011)**Untiled wall**

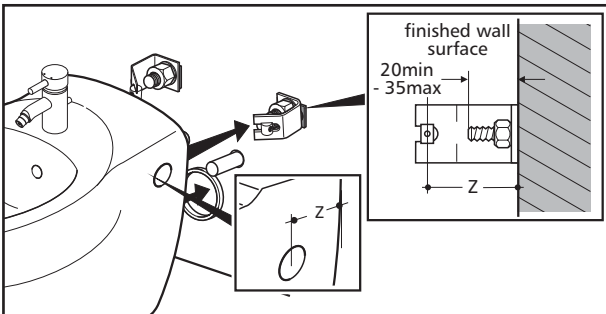
1. Fit brackets to support bolts, (cut to length as necessary), using fixings supplied.



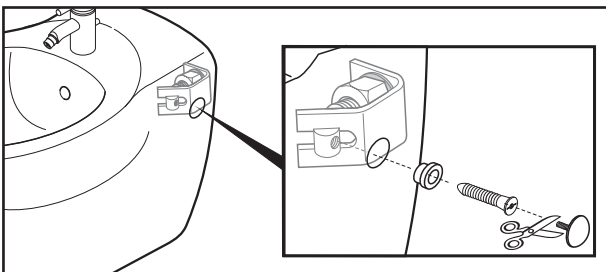
2. Adjust width of brackets.



3. Position sliders correct distance from wall.



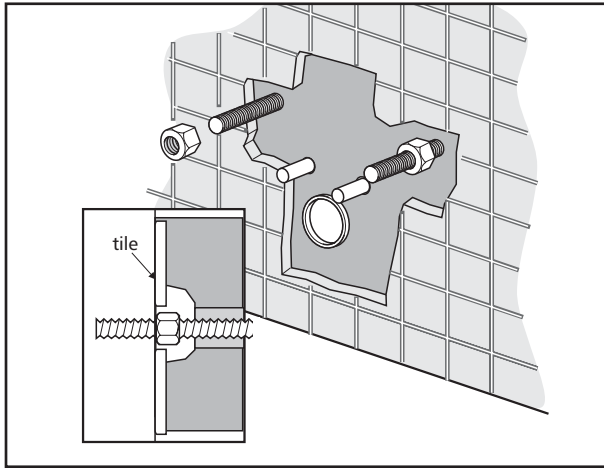
4. Fit bidet and secure with fixings provided.



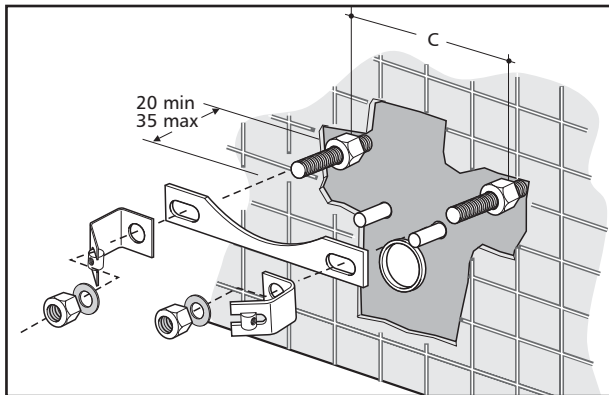
(D2) BRACKET FIXATION (T6010 and T6011)

Tiled wall

1. Fit nuts to support bolts and position front of nut flush with finished wall surface.



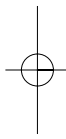
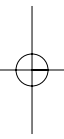
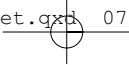
2. Fit brackets to support bolts (cut to length as necessary), using fixings supplied.



3. Finish assembly by following items 2 - 4 for tiled wall version.

IN-WALL FRAME INSTALLATION

For in wall frame installations refer to the fixing instructions supplied with the frame.



CUSTOMER CARE HELPLINE
0870 1296085
FAX LINE 01482 499611
e mail : ukcustcare@IdealStandard.com

We pursue a policy of continuing improvement in design and performance of our products.
The right is, therefore, reserved to vary specifications without notice.

