

FURNITURE CONCEALA 2 CISTERN

Installation Instruction

**CISTERN FITTINGS
PRE-FITTED**

CONTENTS

SECTION 1

General

SECTION 2

Push Button Operated (Dual Flush)
(for 500 x 210 furniture unit only)

SECTION 3

Push Button Operated (Dual Flush)
(for all except 500 x 210 furniture units)

SECTION 4

Outlet Valve

SECTION 1

The Water Regulations have a requirement to fit a servicing valve adjacent to the cistern. This is to enable the water supply to be shut off, if required, without shutting off the supply to other outlets.

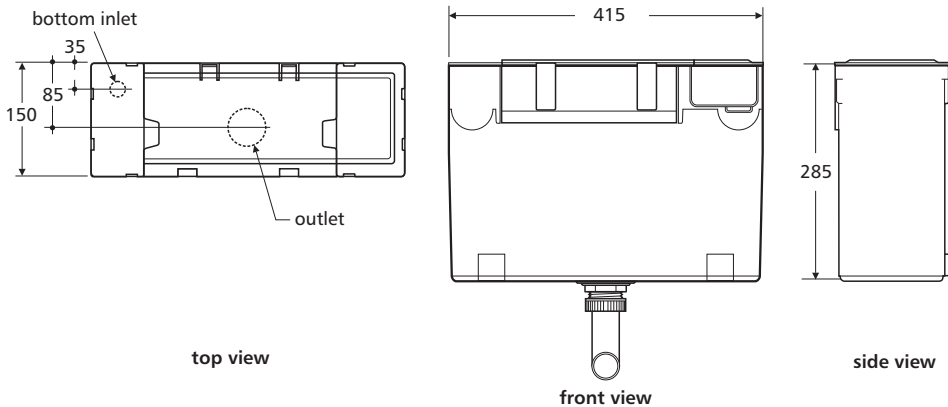
An access panel in the duct or some other form of access should be provided for maintenance purposes.

For closet fixing see relevant installation instruction (supplied with closet bowl).

It is the installer/specifiers responsibility to ensure compatibility with other manufacturers WC pans.

The tank contents are pre-fitted at works, however it is recommended that the inlet and outlet valve seals are checked for water tightness before installing.

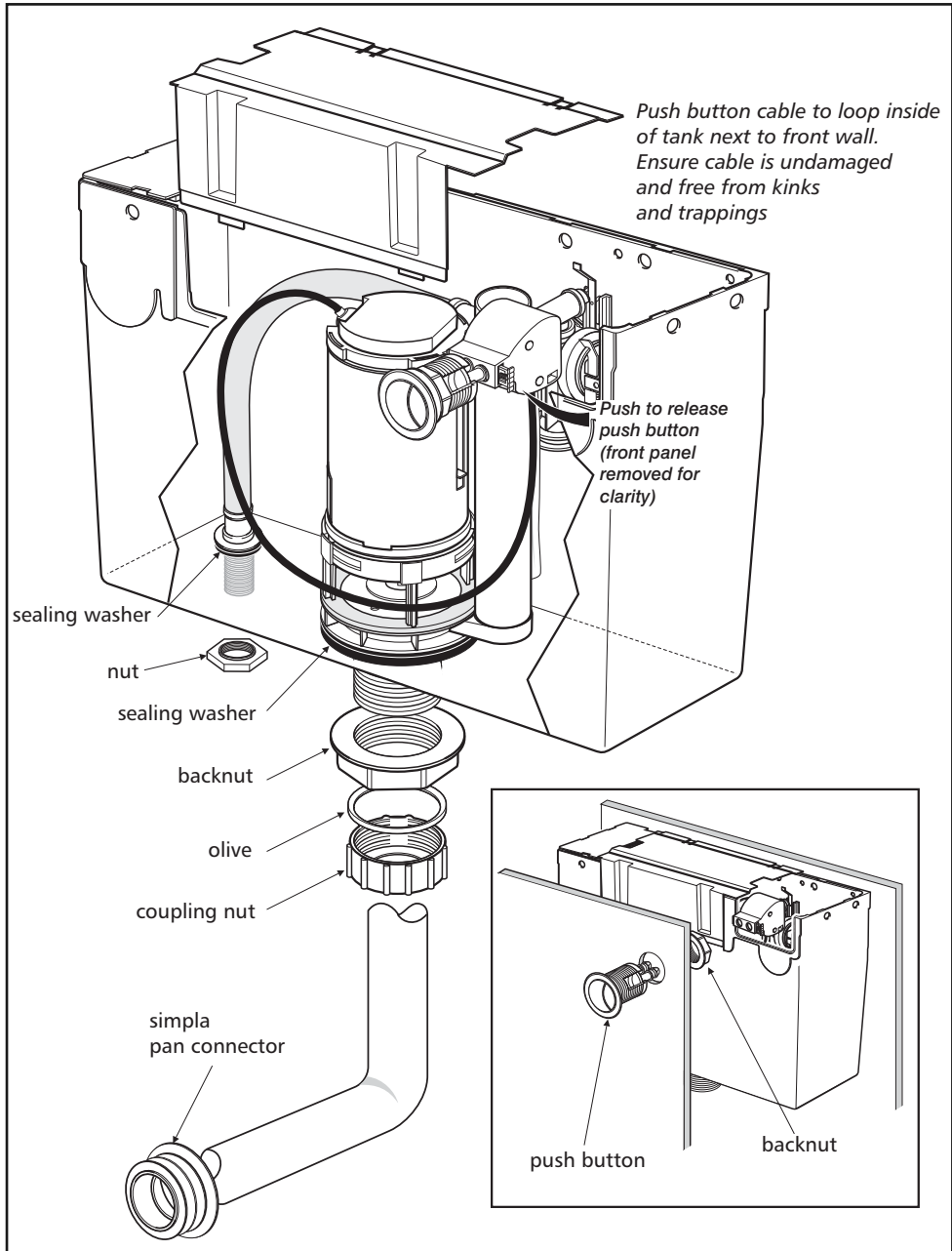
When connecting float operated fill valve to water supply pipework, adjust the float to give shut off at the water level as marked on cistern.



SECTION 2

Push Button Operated

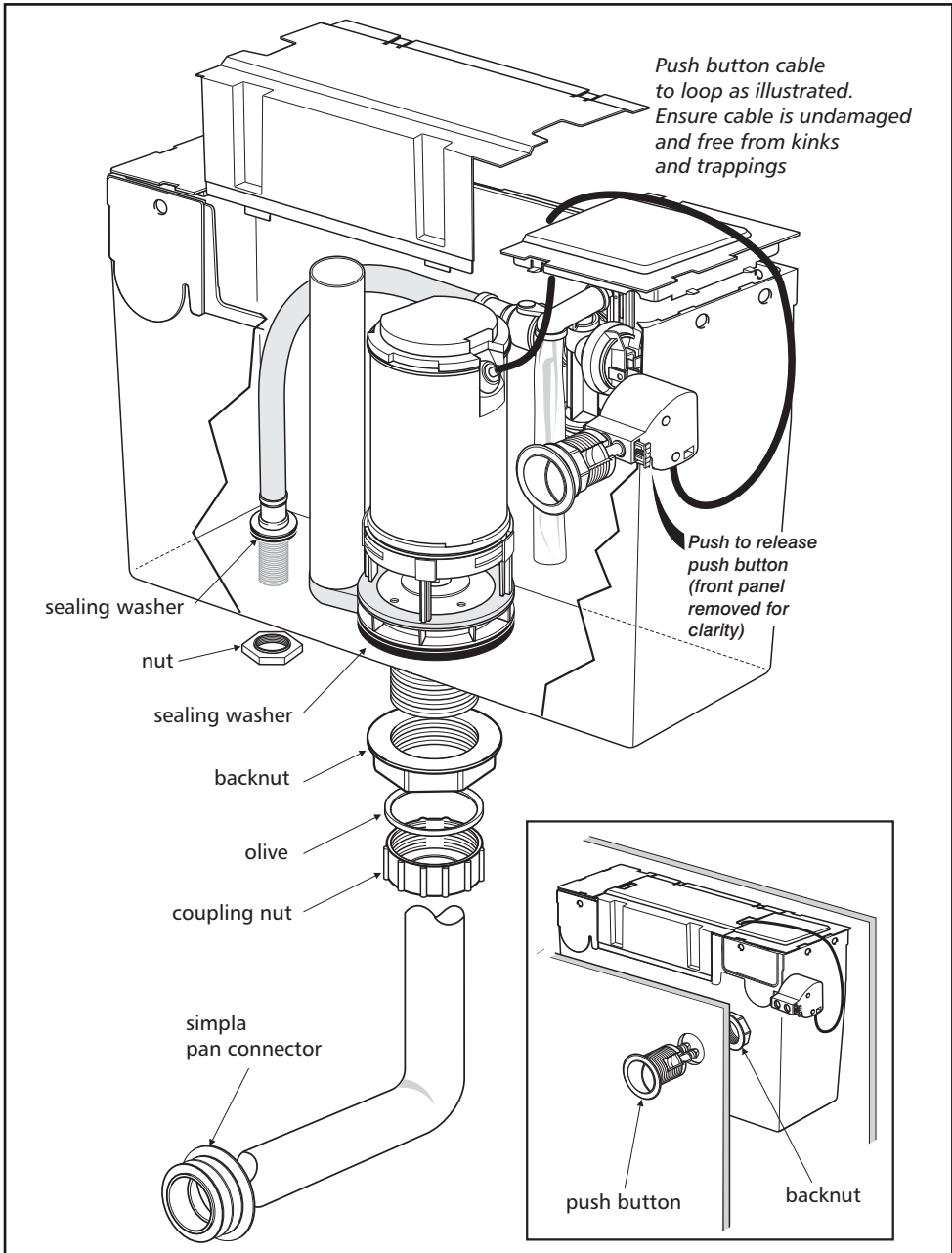
FOR 500 x 210 FURNITURE UNITS



SECTION 3

Push Button Operated

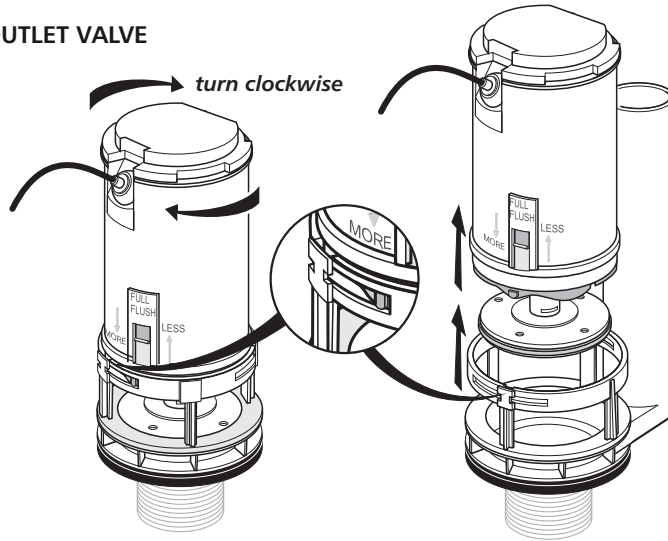
FOR 600 x 210 & 500/600 x 300 FURNITURE UNITS



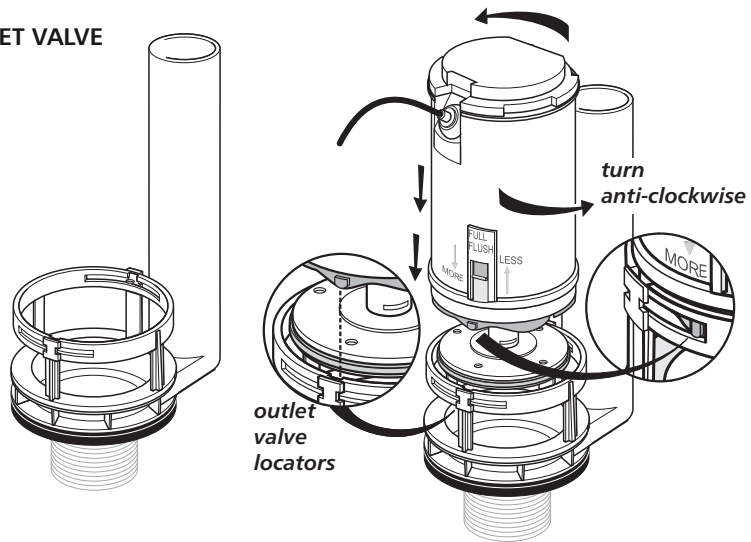
SECTION 4

Outlet Valve

TO REMOVE OUTLET VALVE



TO REFIT OUTLET VALVE



Outlet Valve

CUSTOMER CARE HELPLINE

0870 1296085

CUSTOMER CARE FAX LINE 01482 499611

email: ukcustcare@IdealStandard.com

We pursue a policy of continuing improvement in design and performance of our products. The right is, therefore, reserved to vary specifications without notice.