

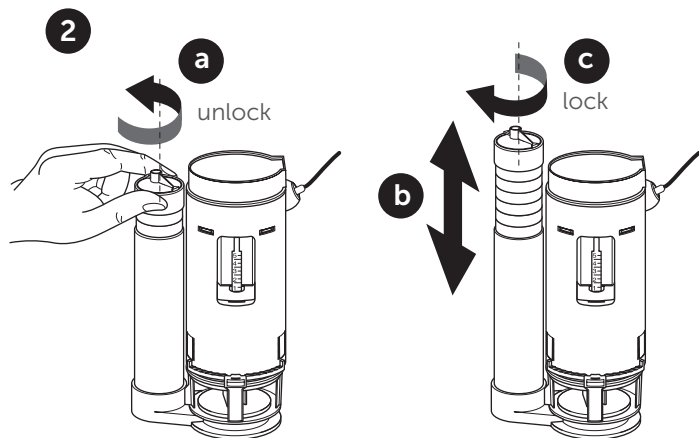
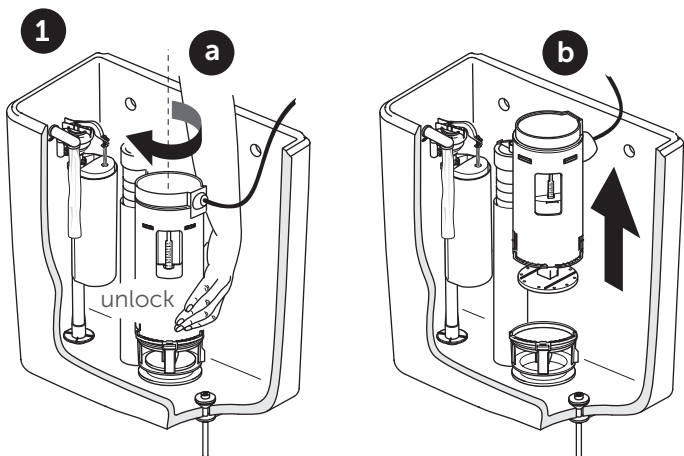
OUTLET VALVE SETTINGS

If installed, turn outlet valve body anticlockwise and lift, parting it from outlet valve seat.

Adjust valve settings to chart below by moving adjusters up or down.

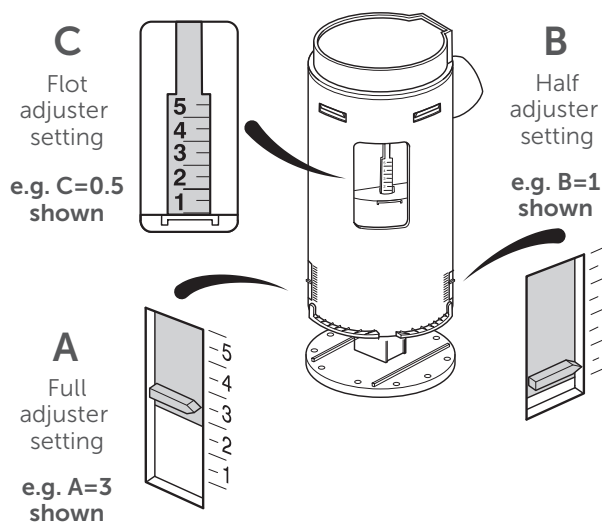
Adjust overflow pipe height, see chart for setting dimension.

When set, twist to lock in position.
N.B. Minimum setting does not require locking.
Refit valve.

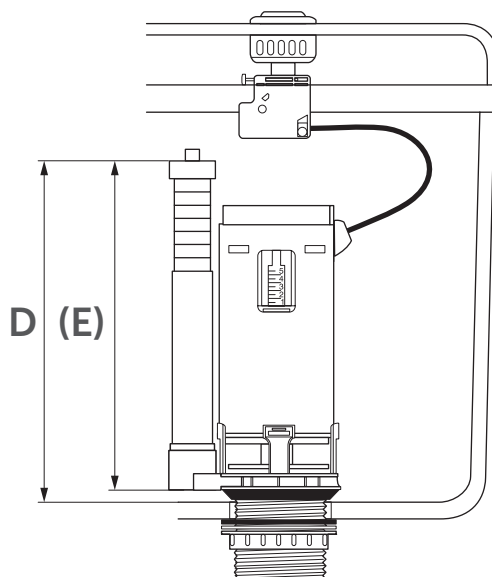


IMPORTANT NOTE

Not all wc pans are designed to flush at 4/2,6 litre.
Check pan performance details before setting valve at these settings.



Overflow height from base inside cistern (valve measurement)



Cistern Type	Dual flush volumes	Full adjuster setting	Half adjuster setting	Flot adjuster setting	Overflow height from base inside cistern (valve measurement)
		A	B	C	D (E), mm
Concept Air Cube	6/4Litre	1	0=closed	5=top	267 (257)
	4/2,6Litre	3	0=closed	2.5	222 (212) minimum setting
Concept Air Arc	6/4Litre	1	0=closed	5=top	267 (257)
	4/2,6Litre	3	0=closed	3	222 (212) minimum setting
Tesi / Mavone	4/2,6Litre	0=closed	0=closed	3	222 (212) minimum setting
Isarca	6/4 Litre	1	0=closed	5=top	267 (257)
	4/2,6 Litre	3	0=closed	3,5	222 (212) minimum setting
Contour 21 / Schools / Splash	6/4 Litre	3	1,5	1	227 (217)
	4/2,6 Litre	3	3,5	2	227 (217)