

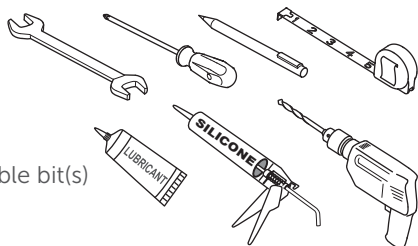
# Installation Instructions



## GENERAL INFORMATION

### Tools/Materials Required (not supplied)

Spanners  
Screwdriver  
Pencil or Marker Pen  
Measuring Tape  
Lubricant  
Silicone  
Power Drill and suitable bit(s)



### Parts Required (not supplied)

Brass Screws and Fixing Plugs to secure the cistern to the wall

### Operating Water Pressure For Inlet Valve

0.1 Bar - 10.0 Bar

### Before You Start

Check the pack and make sure you have all the parts listed. If not, contact the vendor who will be able to help you. When you are ready to start, make sure that you have the right tools to hand, plenty of space and a clean area for assembly.



### WARNING

Do not use or drop any chlorine or chemical related components into the cistern or WC.

Use of such products will :

- (a) Result in damage to tank components, and may cause flood and property damage.
- (b) Void warranty.

### Important Notes

Use of the flow restrictor is required if the water pressure exceeds 1.4 Bar (20 p.s.i. or 14 metre head if tank fed).

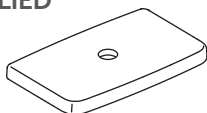
Take care to avoid cross-threading. Do not overtighten back-nuts. Care should be taken when drilling walls and floors to avoid any sunken wires or pipes.

Servicing valve: The Water Regulations have a requirement to fit a servicing valve adjacent to the cistern, (not supplied).

Do not overtighten nuts or tank / bowl may crack

## PARTS SUPPLIED

Lid

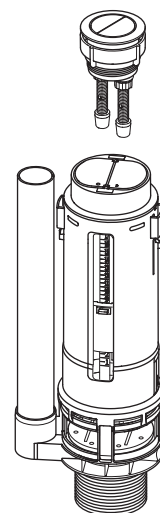


Inlet Valve



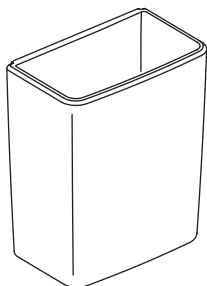
Delay Fill Chamber

Push Button



Outlet Valve

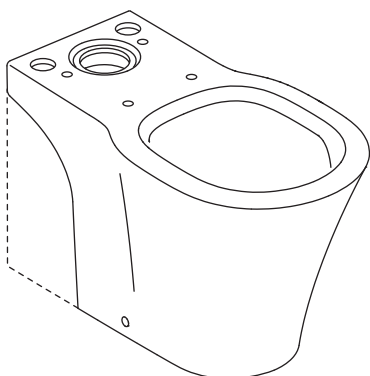
Cistern



Rubber Washer



Pan



Washer



Flat Plastic Washer



Nut



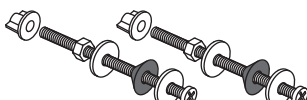
Outlet Valve Backnut



Flow Restrictor



Close Coupling Bolt Set



Close Coupling Washer



Seat

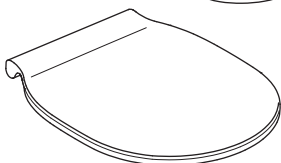


Illustration may not reflect items as supplied.

## INSTALLATION

Fixing bolts and valves are factory fitted (**fig 1**).

Check all joints to ensure they are sound and watertight

- stainless steel nuts on fixing bolts (**fig 2**)
- inlet and outlet valve nuts, checking that the valves are not in contact with each other or the cistern walls.

See inlet valve section for adjustment and fitting of filter and flow restrictor instructions.

The outlet valve is set to give the correct flush volumes. For reference these valve settings are shown on:



<https://www.idealspec.co.uk/cistern-flush-valve-settings>

Install the Seat (see instruction supplied with seat - **fig 5**).

Place the WC in the required position (**fig 6**).

With cistern lid removed, mark the position of the screw hole positions in the rear of the cistern. Mark the outline of the closet bowl on the floor. Mark on the floor, at both sides of the

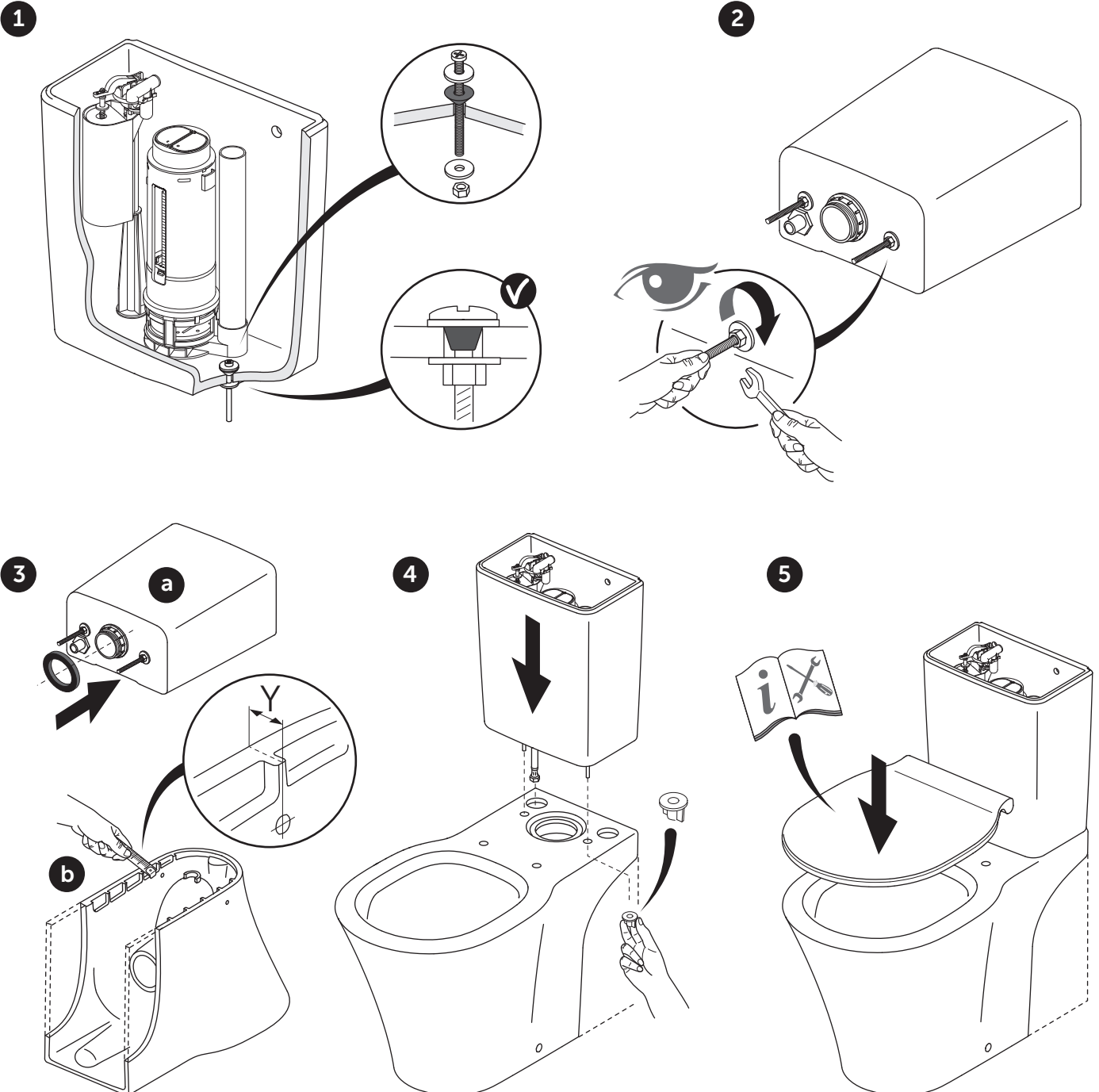
closet bowl the position of the screw holes in the closet foot (**fig 7**).

Remove the WC away from its location and drill and plug the positions marked on the wall. For the closet, mark the position for the two fixing screws Y+25mm in from the line drawn around the closet, drill, plug and fit brackets to floor (**fig 8**).

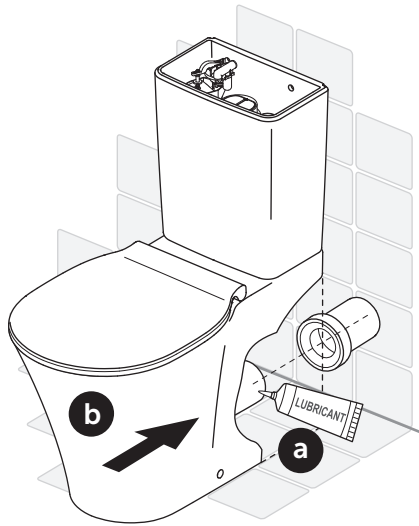
Replace the WC in position, connecting waste outlet (not supplied) and secure to the wall and floor, wall screws (not supplied). Seal rear screw fixing holes when the water pressure is above 5 bar (**fig 9, c\***).

Measure the distance from the top of the cistern lid through the button hole to the top of the valve. Loosen the button rod nuts and adjust both button rods to the measured dimension. Retighten the nuts. Fit the push button into the cistern lid with the two rods parallel to the back of the cistern and secure with nut. If the rods are adjusted too long the valve will stay open. Too short and the valve may not flush. Fit cistern lid (**fig 10**).

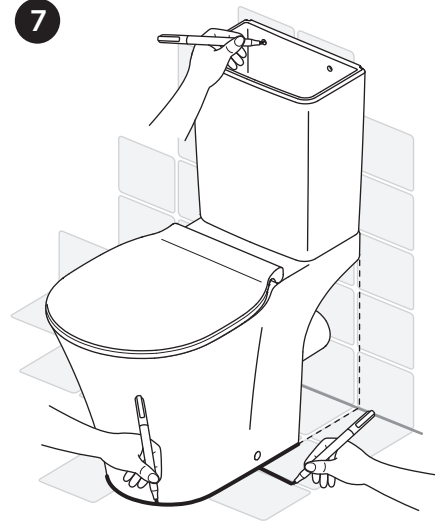
Turn water on and check all connections for leaks.



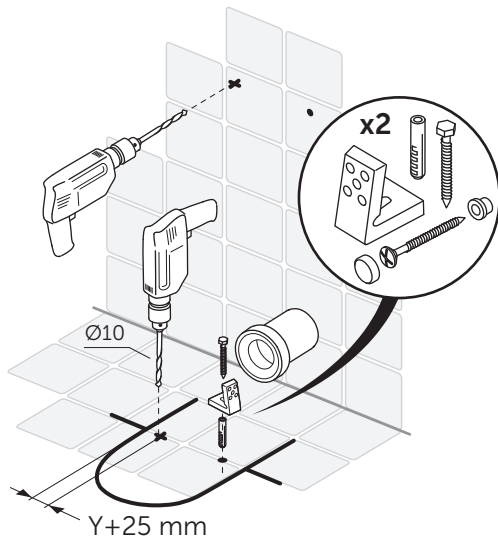
6



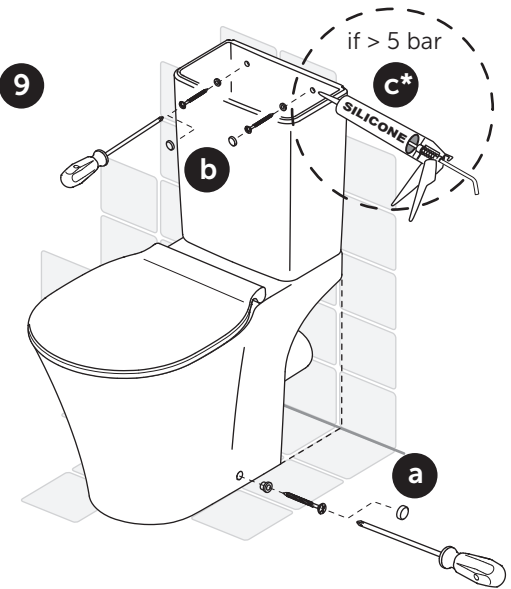
7



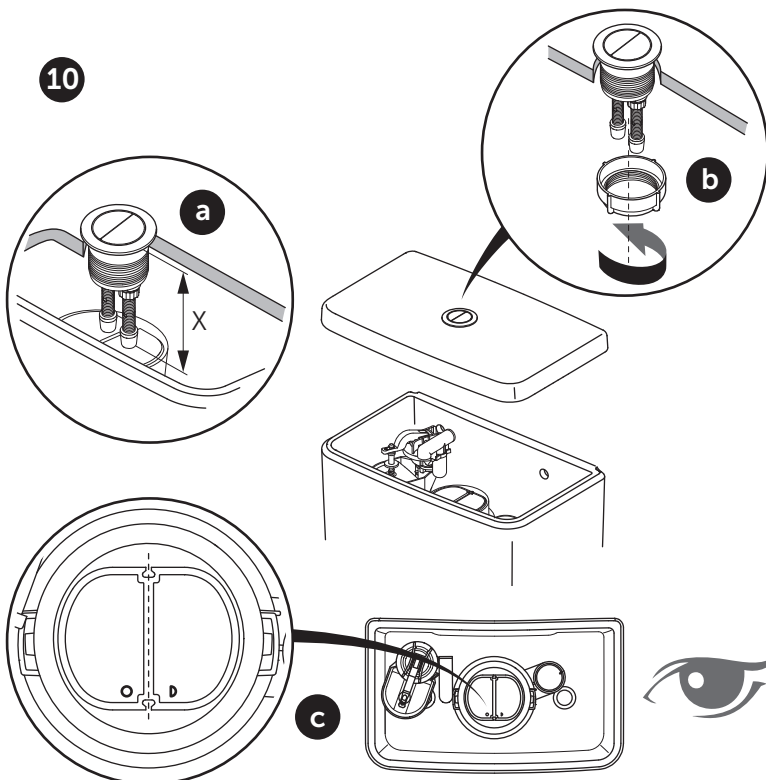
8



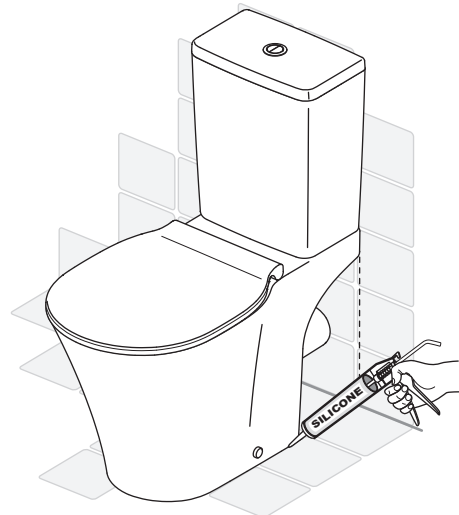
9



10



11



---

Illustration may not reflect item as supplied.

All cistern components must be installed in accordance with UK water regulations.  
If in doubt please consult a suitably qualified professional.

## CUSTOMER CARE HELPLINE

**0870 1296085**

FAX LINE 01482 499611

email: [customer care@idealstandard.com](mailto:customer care@idealstandard.com)

EEM34**5127**67

ver. 1.0/08.20