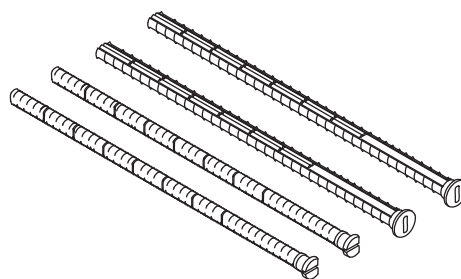
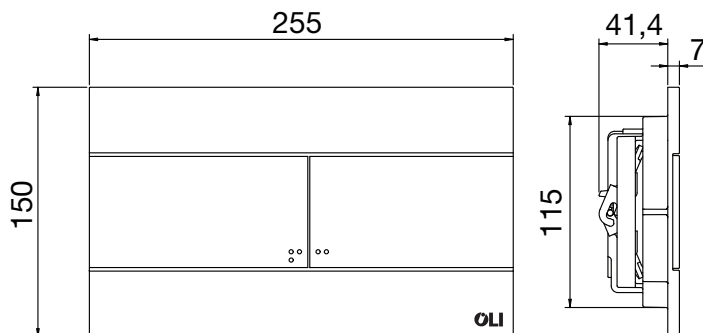
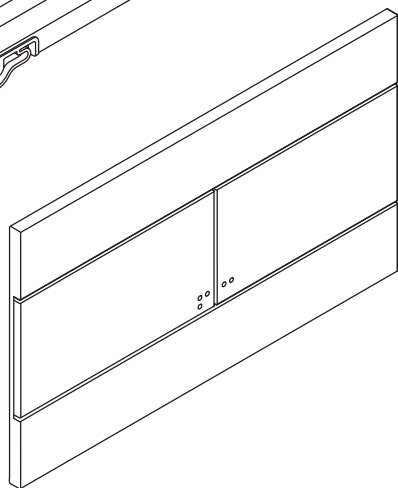
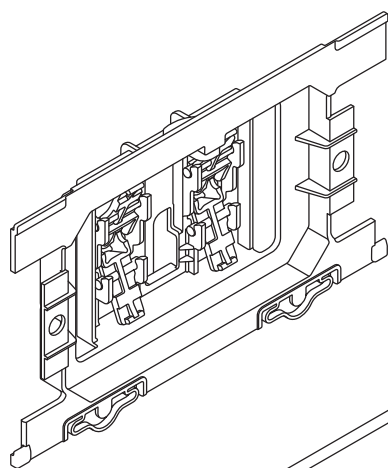
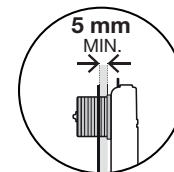
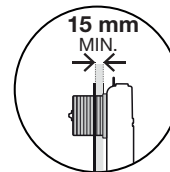
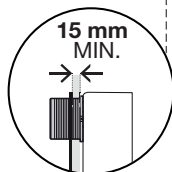
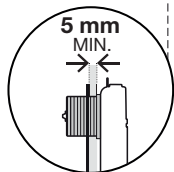
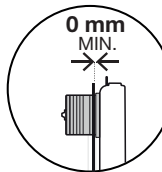
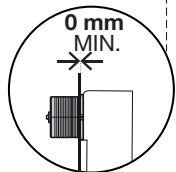
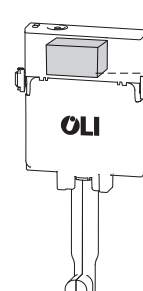
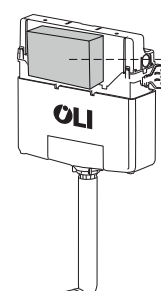
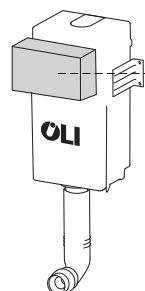
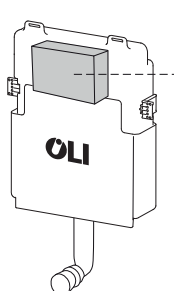
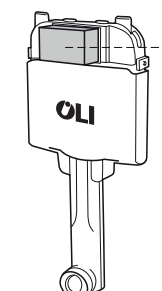
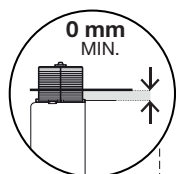


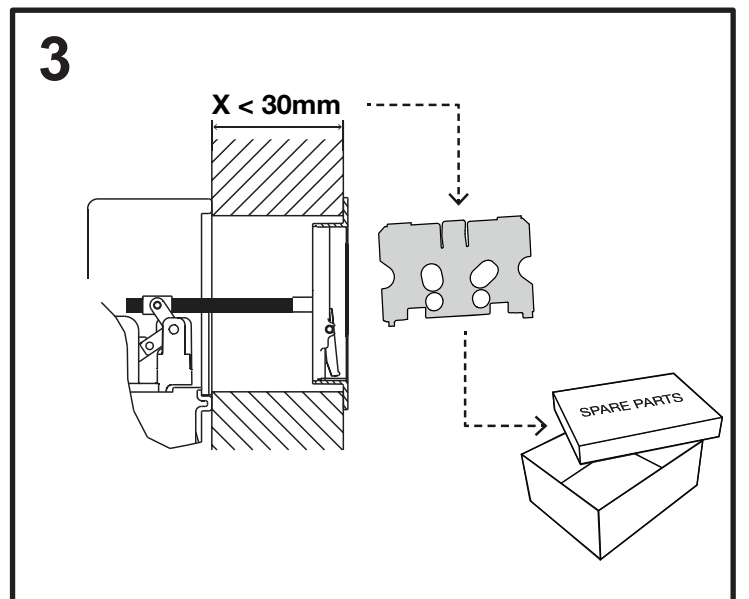
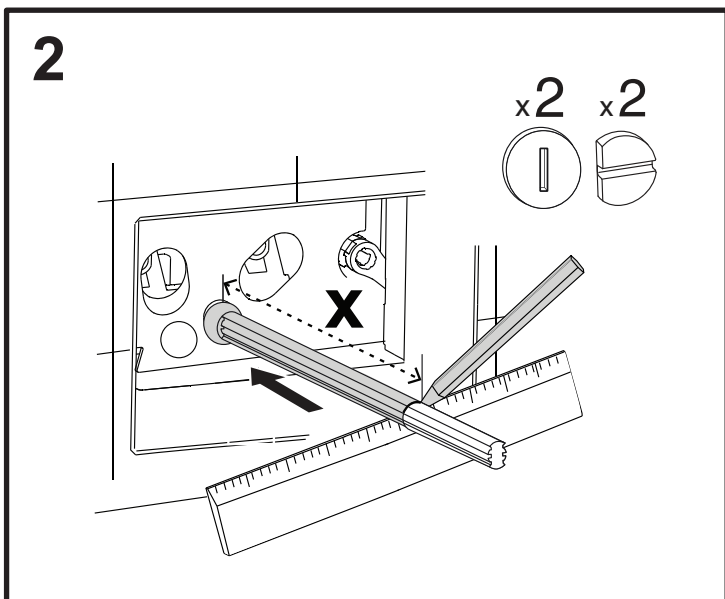
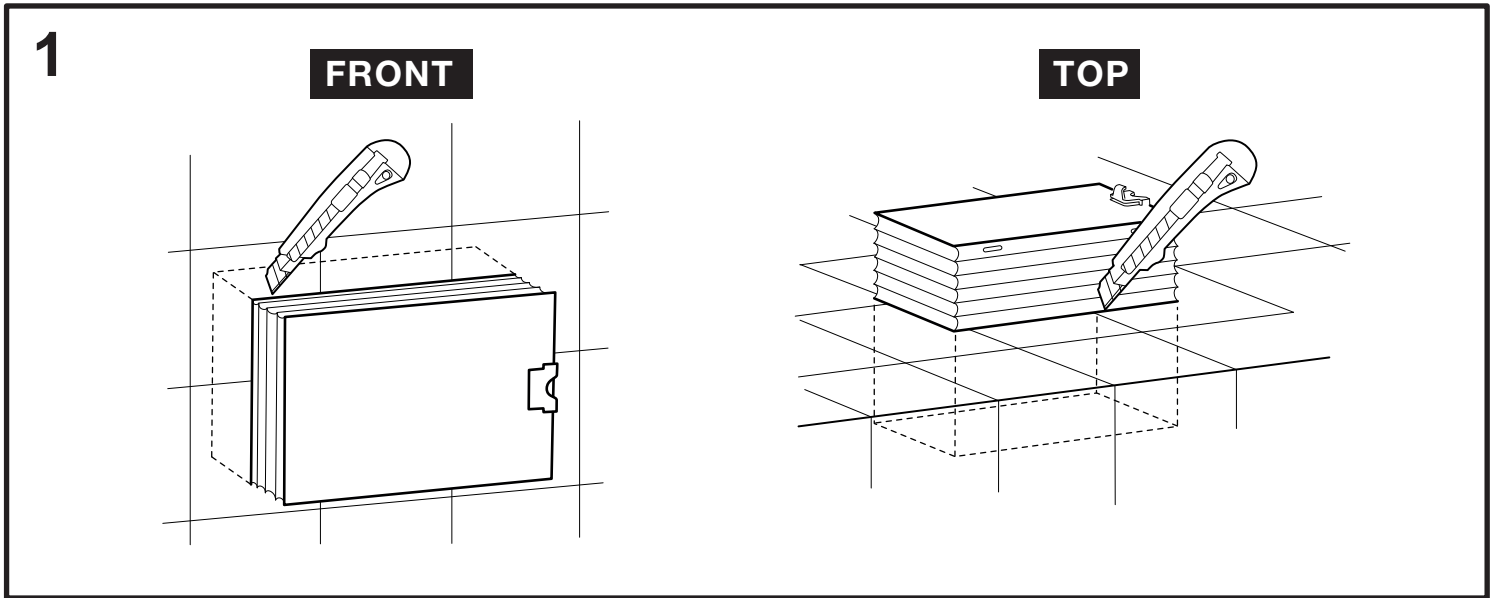
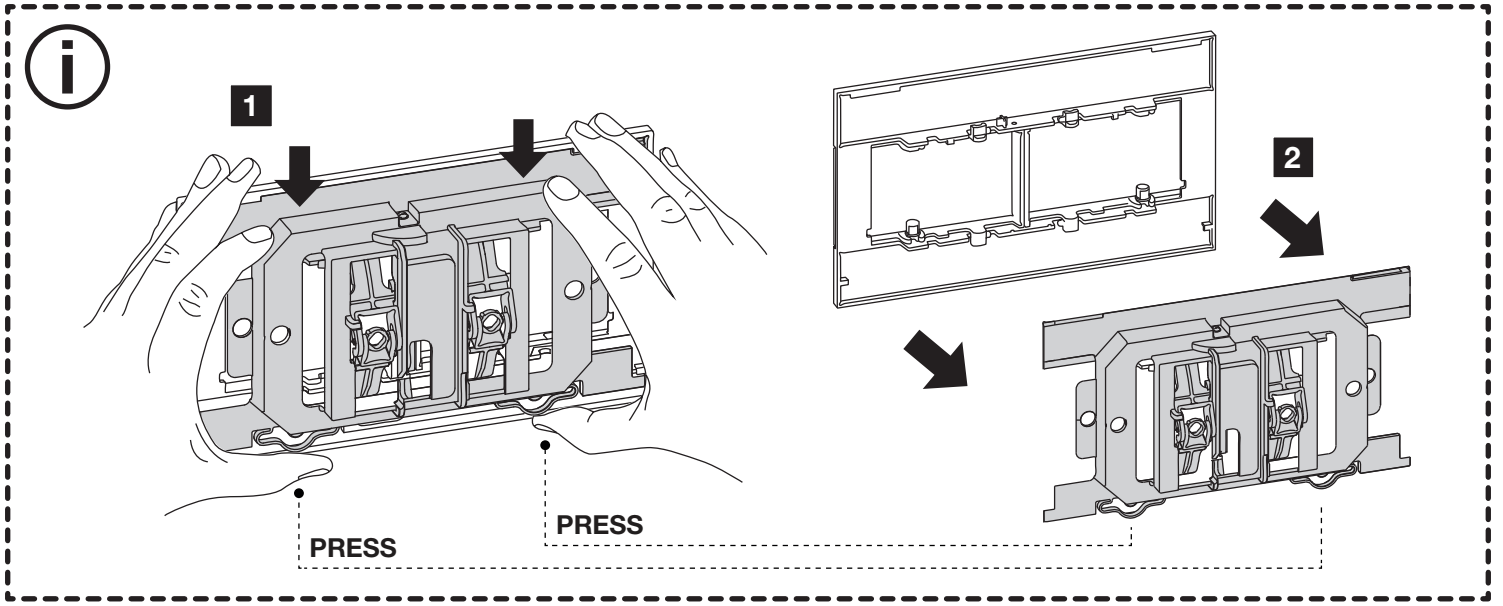
# SLIM

MECHANICAL



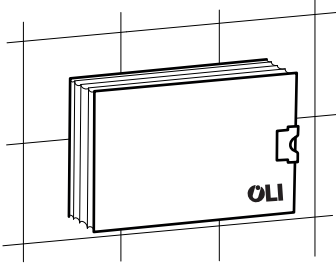
(dimensions in millimeters)



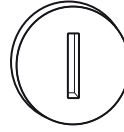


4

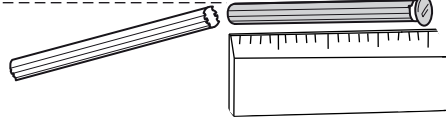
FRONT



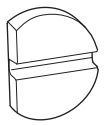
x2



← X + 10mm →



x2

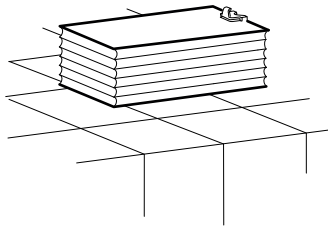


← X + 20mm →

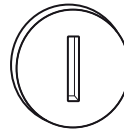


4

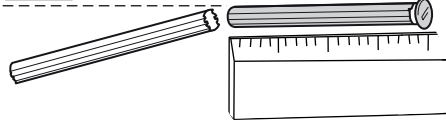
TOP



x2



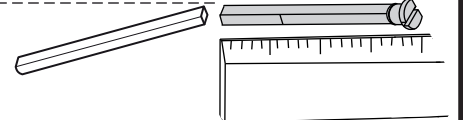
← X + 10mm →



x2



← X + 75mm →



5

