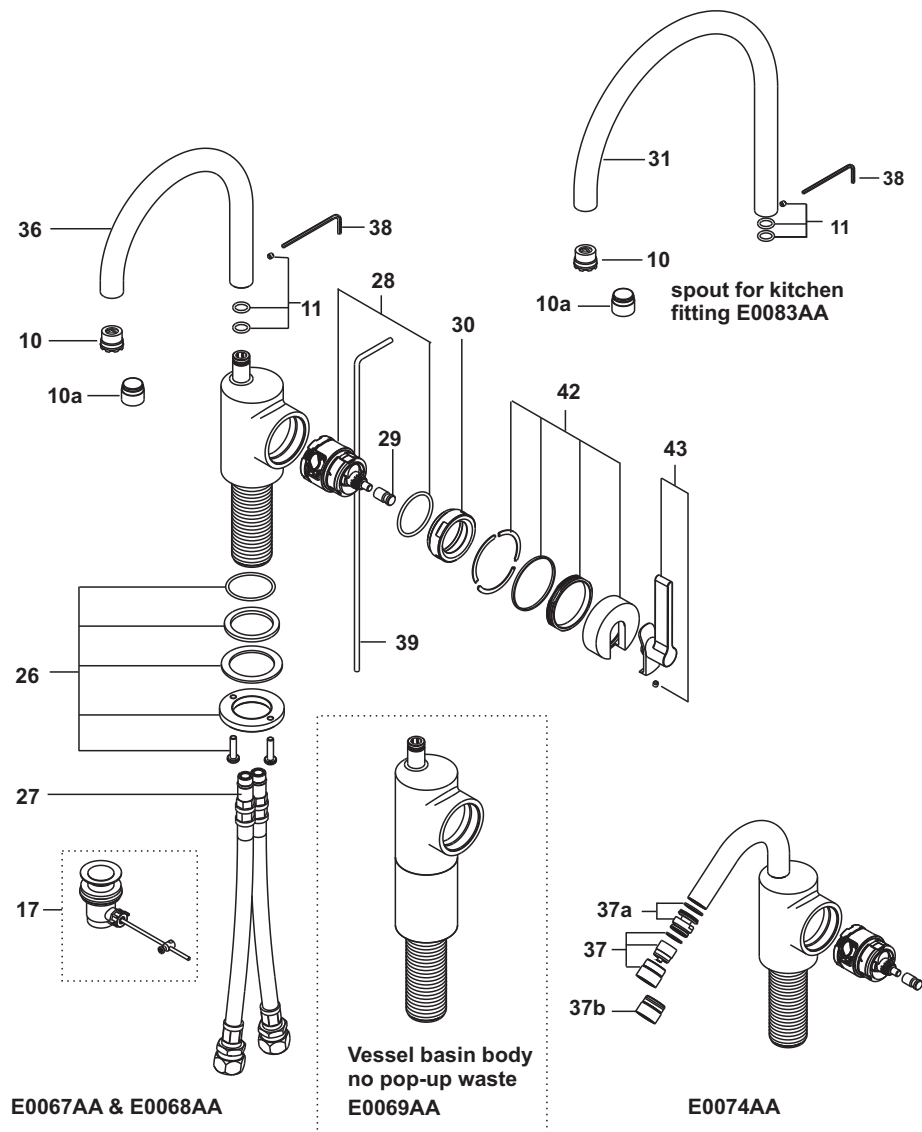


6 SINGLE LEVER BASIN AND BIDET MIXERS

Note: The Silver single lever vessel basin mixer is intended for use with a free standing basin which will allow for the required 25mm air gap. If the correct air gap is not achievable then the basin mixer must be connected

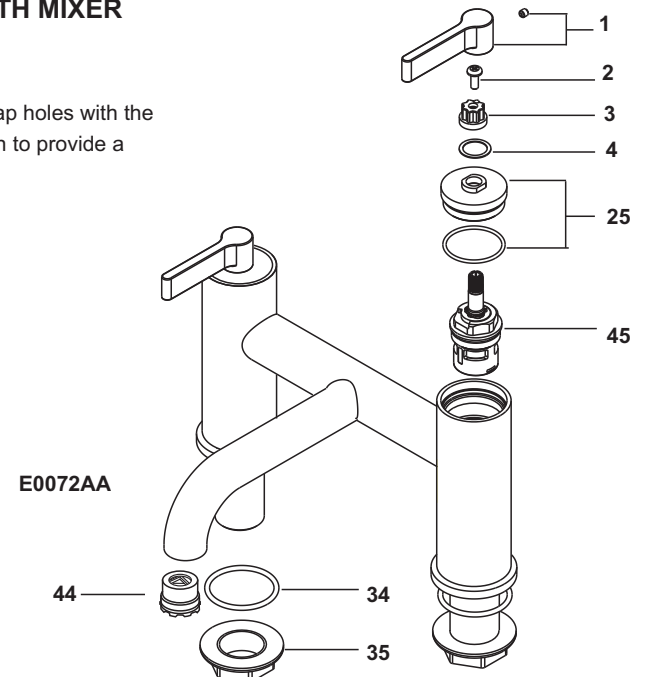
using double check valves to protect against the possibility of backflow.

The bidet mixer is supplied with a pre-fitted spout



7 2-HOLE DECK BATH MIXER

- Locate fitting into Bath tap holes with the rubber 'O' ring in position to provide a watertight seal.
- Tighten the backnuts.



8 SPARE PARTS

Ref.	Description	Ref.	Description
1	Dual control handle	20	Drive insert fixation screw
2	Screw	21	Valve spindle extension
3	Dual control drive insert	22	W/M valve shroud
4	Colour indicator ring	23a	W/M basin spout 150 mm
5	Shroud	23b	W/M basin spout 230 mm
6	Side valve fixation set	24	Escutcheon W/M basin spout
7	Valve	24a	Spout base - W/M
8	Side valve	25	Valve cover
9	Basin spout DC	26	Fixation kit 1-Hole basin
10	Flow straightener	27	Flexible inlet tail
10a	Aerator	28	Multiport cartridge
11	Swivel spout 3H repair kit	29	S/L lever handle adapter
12	Escutcheon	30	M/P cartridge retaining nut
13	Spout fixation seals	31	Kitchen DC Swivel spout
14	Pop-up rod 3-Hole	34	Bath deck seal
15	Spout fixation set	35	3/4" backnut
16	Bridge piece	36	Spout 1-Hole Basin DC
17	Pop-up waste	37	Flow straightener - bidet
19	Escutcheon W/M valve	37a	Swivel - bidet
		37b	Aerator - bidet

Ref.	Description
38	Allen key
39	Pop-up rod S/L
40	Pop-up rod D/C
41	Shroud 3-hole bath
42	Single lever handle shroud kit
43	Single lever handle
44	Flow straightener - bath
45	Cartridge - bath

Ref.	Description
46	Spout 3-hole bath
48	Side valve - bath
49	Bath spout seal
50	Bath spout fixation kit
51	Bridge piece bath 3-hole
52	Bath side valve fixation kit
53	Spout W/M bath spout
54	Escutcheon W/M bath spout

9 SETTING THE BLEND CONTROL

The blend control is a simple mechanical limit stop. Located under the single lever handle, it restricts the angle to which the handle can be rotated towards the full hot position. To set it, the hot water system should be on and the hot water up to normal working temperature. A thermometer will be required to measure the maximum blend temperature.

Remove the handle by removing the grub screw and pull off handle shroud.

The blend control stop (white crescent shaped plastic moulding - shown shaded) can then be removed. (In its factory set position "0" - shown dotted in Figure 7 it does not limit the lever handle movement and the highest possible temperature will be possible)

Insert the limit stop in position 4 (shown shaded in Figure 7)

Operate the fitting and measure the temperature at the maximum setting.

If not high enough, reposition the stop in position 3 and check the temperature again.

Repeat the process until the temperature at the maximum setting is satisfactory.

Refit the handle cover and handle and check that the maximum blend temperature is still satisfactory.

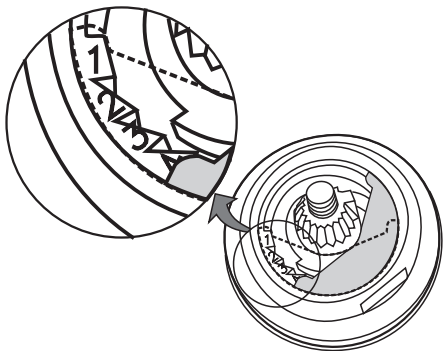


Fig 7 Setting the blend control

Silver INSTALLATION INSTRUCTIONS

CODE	PRODUCT
E0061AA	Silver 3 Hole Deck Basin Mixer with pop-up waste
E0062AA	Silver 3 Hole Deck Basin Mixer no pop-up waste
E0063AA	Silver 3 Hole Wall Basin Mixer with 150mm spout
E0064AA	Silver 3 Hole Wall Basin Mixer with 230mm spout
E0065AA	Silver Monoblock Dual Control Basin Mixer with pop-up waste
E0066AA	Silver Monoblock Dual Control Basin Mixer no pop-up waste
E0067AA	Silver Monoblock Single Lever Basin Mixer with pop-up waste
E0068AA	Silver Monoblock Single Lever Basin Mixer no pop-up waste
E0069AA	Silver Monoblock Single Lever Vessel
E0070AA	Silver 3 Hole Deck Bath Mixer
E0071AA	Silver 3 Hole Wall Bath Mixer
E0072AA	Silver 2 Hole Deck Bath Mixer
E0073AA	Silver Monoblock Dual Control Bidet Mixer with pop-up waste
E0074AA	Silver Monoblock Single Lever Bidet Mixer with pop-up waste
E0078AA	Silver 3 Hole Deck Kitchen Mixer
E0083AA	Silver Sink Monoblock Single Lever
E0084AA	Silver Monoblock Dual Control Sink Mixer

The fittings covered by this installation and maintenance instruction should be installed in accordance with the water regulations, therefore Ideal Standard would strongly recommend that these fittings are installed by a professional installer.

IMPORTANT

BEFORE CONNECTION, FLUSH WATER THROUGH PIPEWORK TO REMOVE ALL DEBRIS ETC. WHICH COULD DAMAGE THE VALVE MECHANISM

INSTALLER:
After installation please pass this instruction sheet to user

CUSTOMER CARE HELPLINE
0870 129 6085

CUSTOMER CARE FAX
01482 499611

E-MAIL
ukcustcare@idealstandard.com

Ideal Standard pursues a policy of continuing improvement in design and performance of its products. The right is therefore reserved to vary specification without notice.

Ideal Standard is a division of Ideal Standard (UK) Ltd.

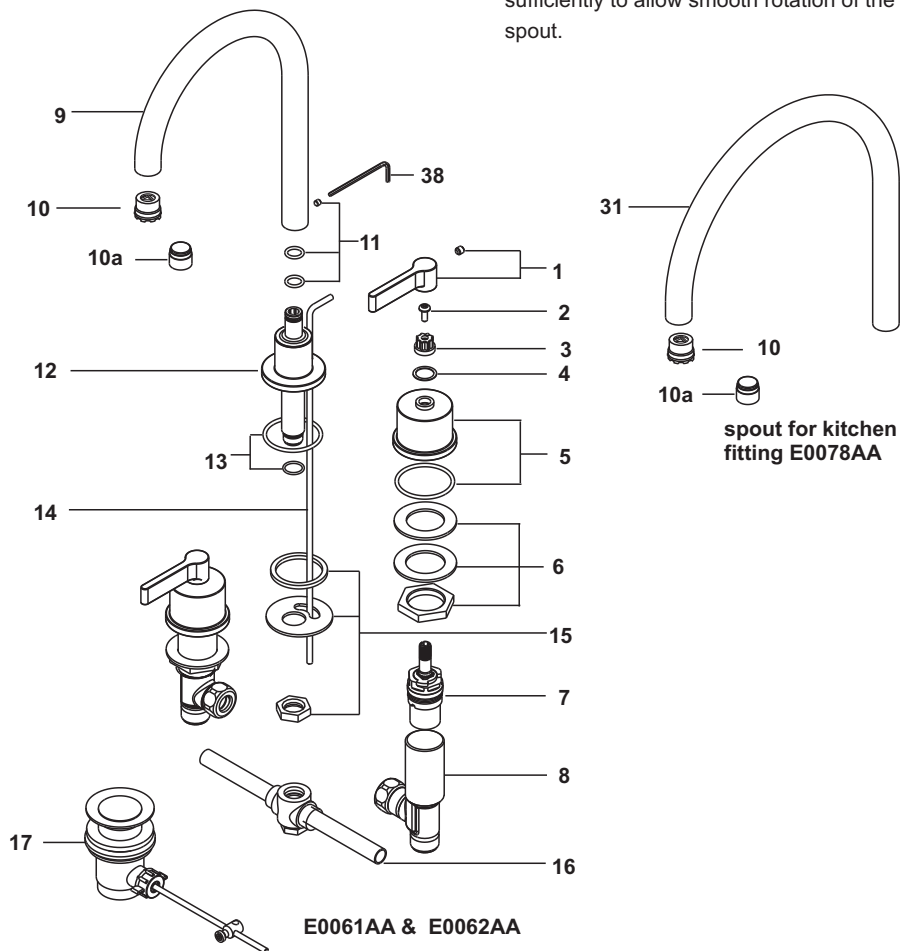
Ideal Standard
The Bathroom Works, National Avenue
Kingston-upon-Hull, HU5 4HS England

4324 06/09

E96518200

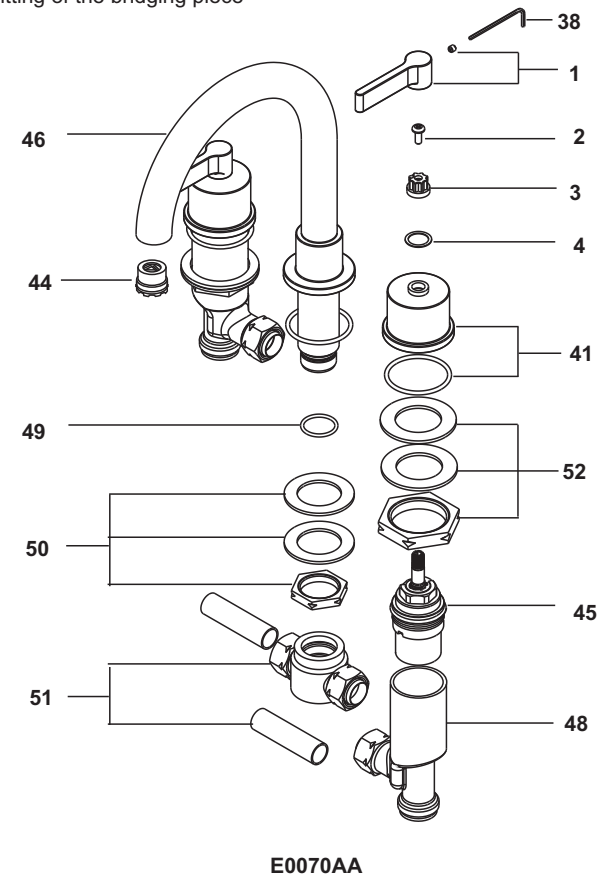
2 3-HOLE BASIN AND SINK FITTINGS

- Locate the spout boss into the centre taphole with the large rubber 'O' ring (13) in position above the basin platform to provide a watertight seal. Add the rubber washer, brass fixing plate (with slot to the rear of the basin for the location of the pop up rod where applicable) and backnut onto the threaded tail.
- Tighten the backnut to secure the spout to the basin.
- Position the two side valves from underneath. Screw on valve covers and fit handles to valves. **DO NOT** tighten the fixation nuts at this stage as this will make the fitting of the bridging piece difficult.
- Position the bridging piece and cut to length. The measurement is taken from the tail stops that are within the side valve bodies and the bridging piece. Secure bridging piece to spout.
- Attach spout and secure with grub screw sufficiently to allow smooth rotation of the spout.



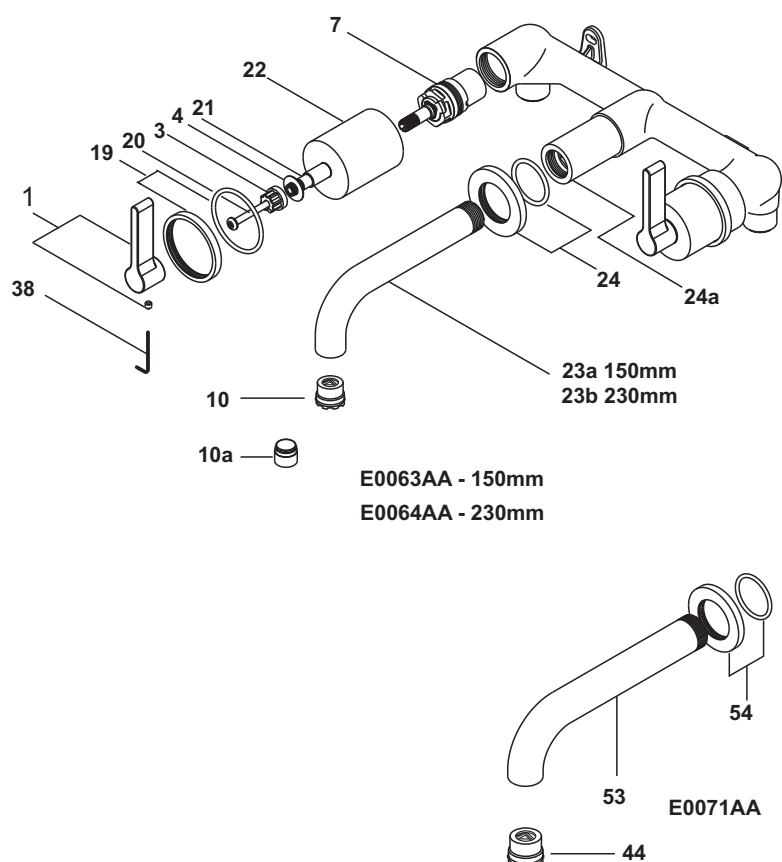
3 3-HOLE BATH MIXER

- Locate the spout into the centre taphole with the large rubber 'O' ring in position above the bath rim to provide a watertight seal. Tighten the backnut to secure the spout to the bath.
- Position the two side valves from underneath. Screw on valve covers and fit handles to valves. **DO NOT** tighten the fixation nuts at this stage as this will make the fitting of the bridging piece difficult.
- Position the bridging piece and cut the copper connection pieces to length. The measurement is taken from the tail stops that are within the side valve bodies and the bridging piece. Secure bridging piece to spout.



4 3-HOLE WALL BASIN AND BATH MIXERS

- The built-in wall mounted mixers are suitable for solid or stud walls. For solid walls, chase out a recess in the wall to a depth of 60-82mm from the finished wall surface. For stud partition walls fit a timber noggin at a suitable depth. **Please refer to enclosed template for hole sizes & positions.**
- Screw the fitting body to the back of the recess or the noggin ensuring it is both horizontally and vertically positioned.
- Connect to the supplies (hot on the left) using size G1/2 tap connectors.
- Fit spout connector to the body using thread sealing tape. Screw on side valve shrouds.
- Test connections before making good the cavity and completing the finished wall.
- Slide escutcheons down the valve covers and spout connectors to the finished wall.
- Screw on and seal spout and fit handles.



5 DUAL CONTROL BASIN AND BIDET MIXERS

- Locate fitting complete with pop up rod into taphole with large rubber 'O' ring in position above the basin platform to provide a watertight seal.
 - Place rubber washer, brass slip washer and then lock nut onto tap tail. Tighten the two pinch screws against the slip washer to secure the fitting.
 - Attach spout and secure with grub screw sufficiently to allow smooth rotation of the spout.
- Note:** The bidet mixer is supplied with a pre-fitted spout

