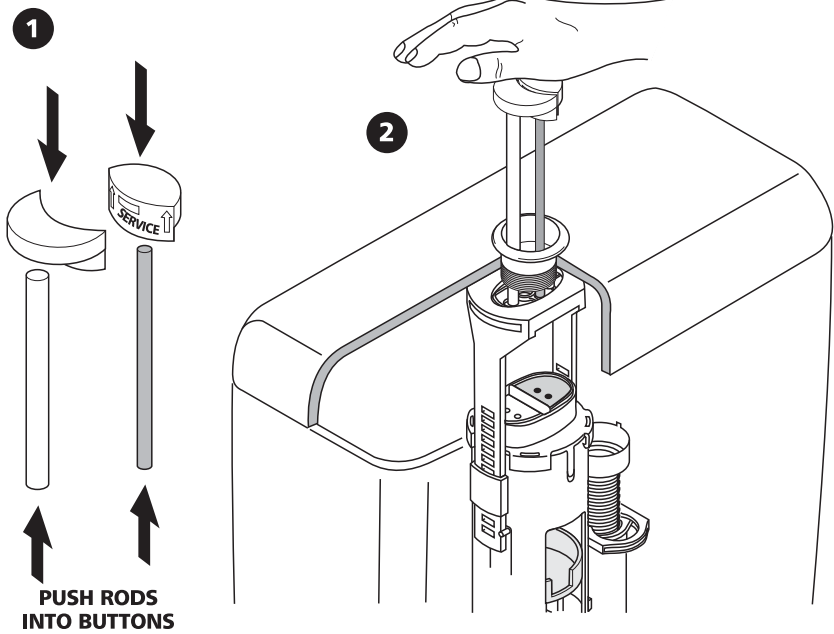
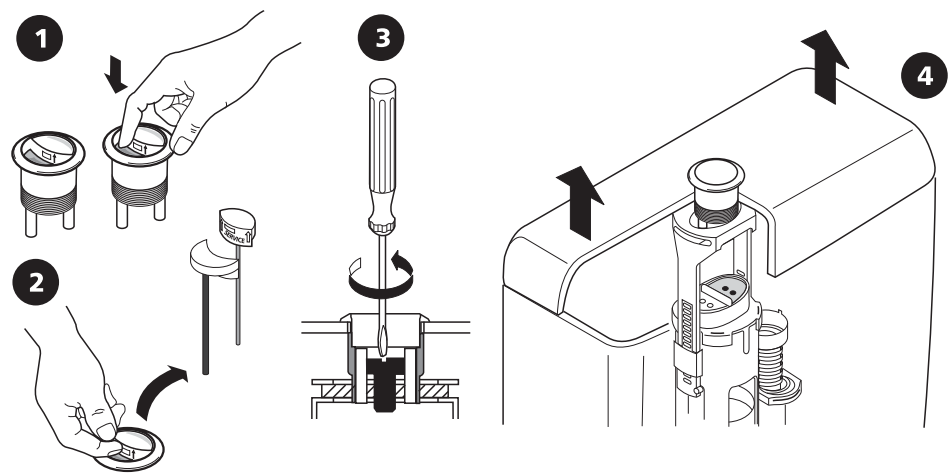


8. FITTING PUSH BUTTONS



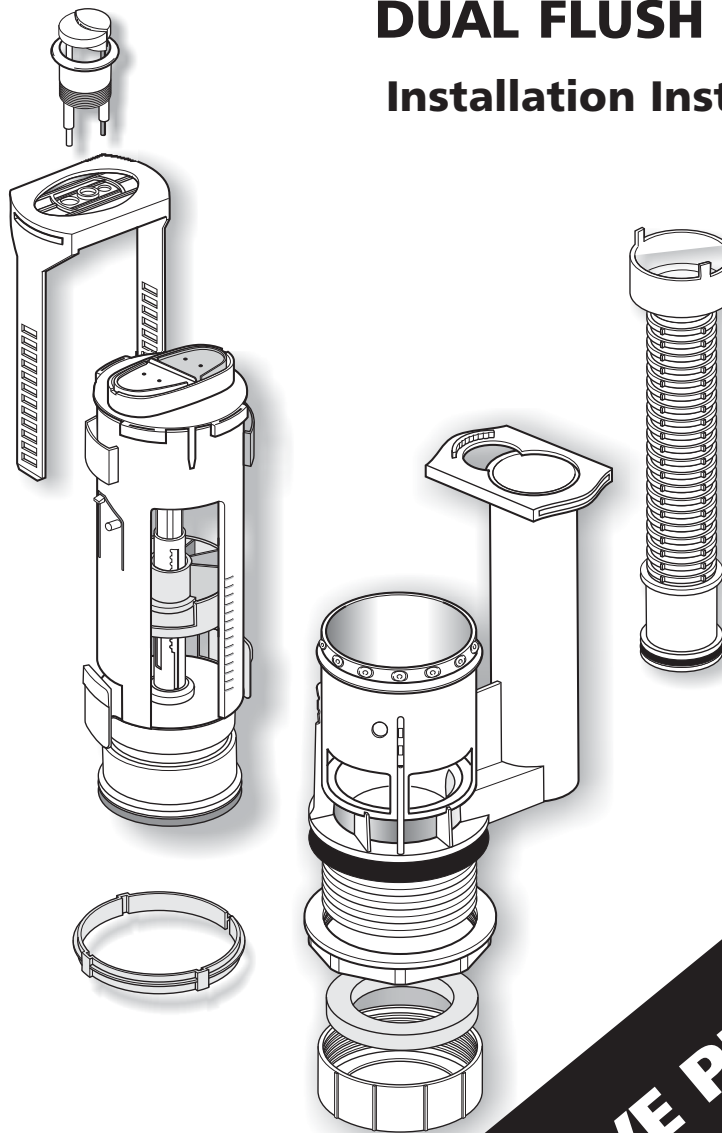
TO REMOVE CISTERN LID



We pursue a policy of continuing improvement in design and performance of our products. The right is, therefore, reserved to vary specifications without notice.

4149 03/08

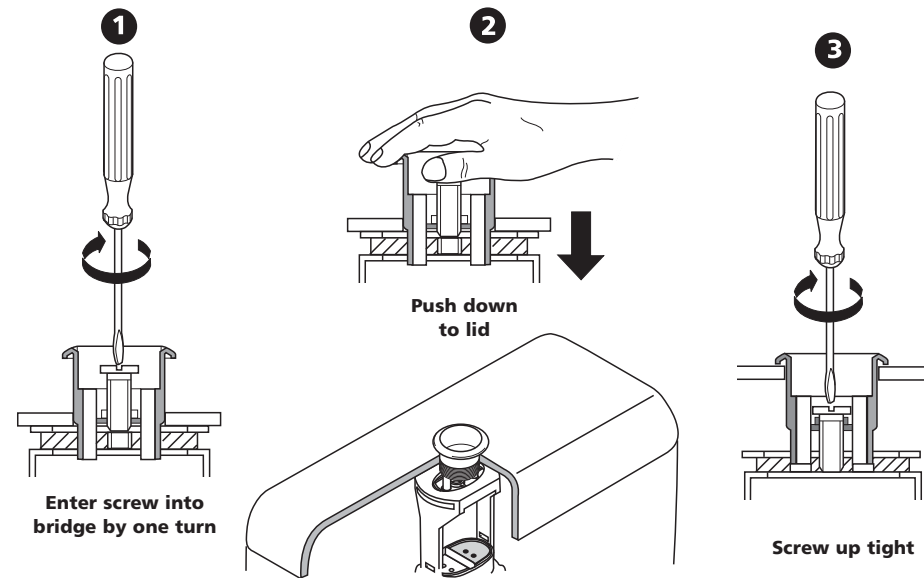
DUAL FLUSH VALVE Installation Instruction



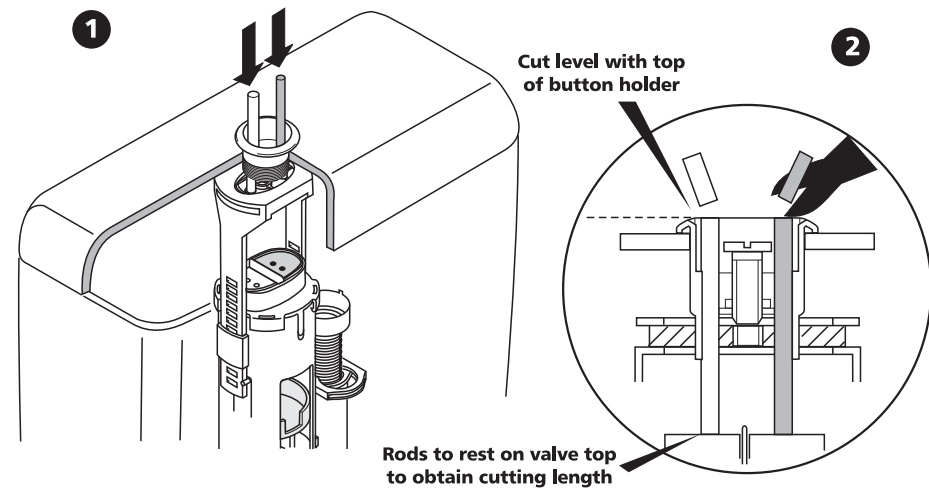
**FLUSH VALVE PRE-SET
CHECK SETTING
AGAINST TABLE 1**

TABLE 1

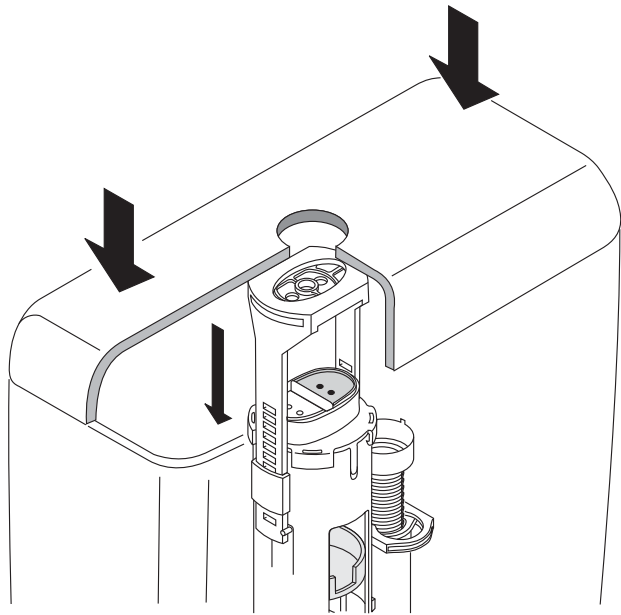
Suite	X Hole Exposed	Y Float Setting	Z Overflow Height "h"	35mm Restrictor	Overflow Orientation
Accent, Cabria, Toscana, Circa 29, Maine, Liberty	Yes	3 (Lowest)	200	No	A
Alchemy, Galliano	Yes	4	200	No	A
Alto	Yes	6	221	Yes	C
Ascania. Celia	Yes	13	253	No	A
Bodoni	No	10	262	No	A
Capitol, Tonic	Yes	6	221	No	C
Cassara	Yes	3 (Lowest)	200	No	B
Chloe, Valencia, Fiori, Philosophy (VC)	Yes	8	221	No	A
Delineo	No	13	227	No	A
Disney Adult/Junior	Yes	5	221	No	B
Disney Infant	No	9	233	No	B
Dominion, Montana, Raphael, Tiffany	Yes	3 (Lowest)	200	Yes	C
Drift	No	8	221	No	A
Edge, Square	No	3 (Lowest)	221	No	A
Imagine	Yes	8	240	No	A
Jasper Morrison	Yes	7	231	No	C
Kheops, Monaco	Yes	11	245	No	A
Kyomi	Yes	3 (Lowest)	200	No	C
Moments	No	5	235	No	A
Oracle, Lagaro	Yes	6	221	No	A
Pasadena, Cadena	Yes	8	231	Yes	B
Philosophy (Stainless Steel), Swirl	No	12	262	No	C
Purity	No	Highest	221	No	A
Ravenna, Palazzo, Manta, Latina	Yes	6	200	No	A
Reprise	Yes	7	221	No	C
Small +	No	5	275	No	C
Space Conventional	Yes	8	221	No	C
Space Corner	Yes	5	221	No	B
Standard, Studio, Sophie, Berkeley	Yes	6	221	No	D
Studio Corner	Yes	6	221	No	C
Tulip	Yes	5	200	No	C
White	Yes	10	231	No	B



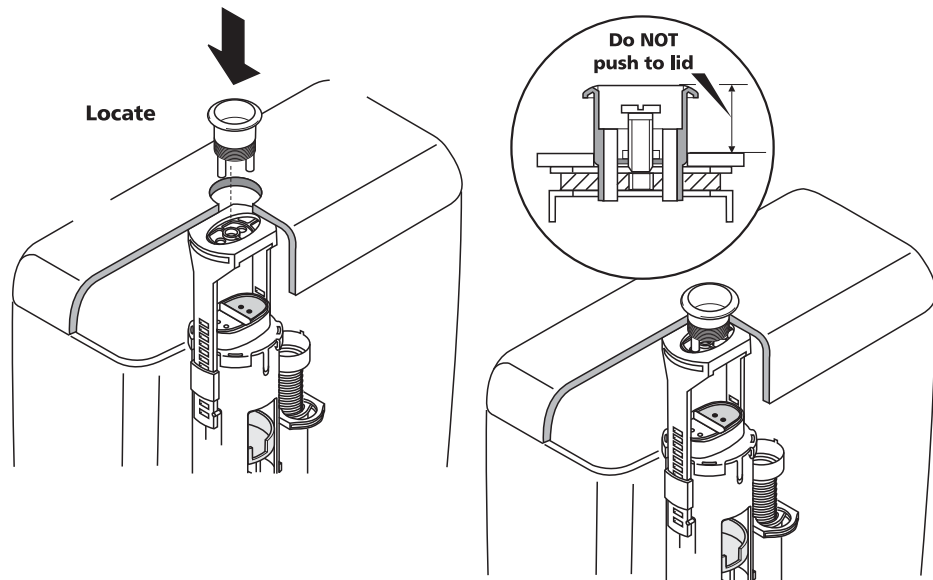
7. CUTTING PUSH BUTTON RODS TO LENGTH



5. PLACE ON CISTERN COVER

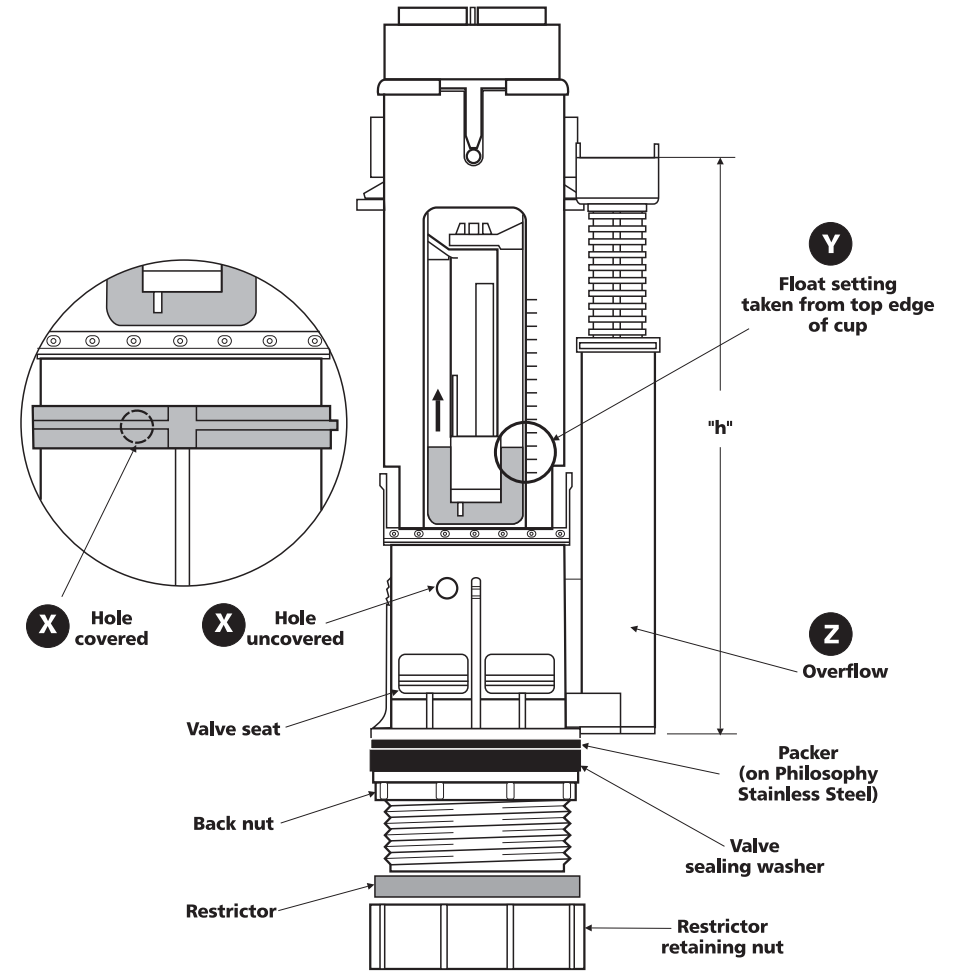


6. FITTING PUSH BUTTON HOLDER



1. VALVE SETTINGS

It is **IMPORTANT** that the 3 **VALVE SETTINGS** are **CORRECTLY MADE**. Refer to **TABLE 1** for values.



SETTING X

Check **HOLE COVER** in position if required.

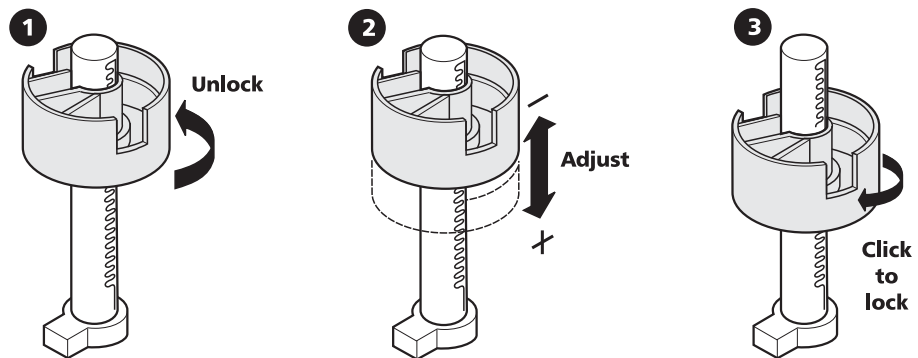
SETTING Y

Lift or lower **CUP** to required position.

SETTING Z

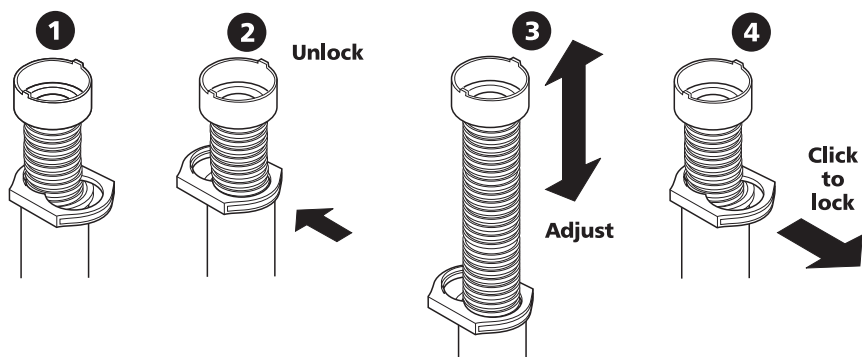
Lift or lower **OVERFLOW SYSTEM** to give correct height "h".

SETTING Y



N.B. It is important that the valve seat stays down whilst adjusting.

SETTING Z



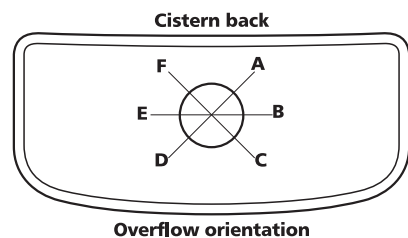
2. FITTING VALVE INTO CISTERN

Check valve sealing washer in place.

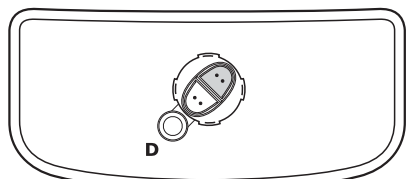
Put valve into cistern with orientation of overflow as given in **TABLE 1**, and tighten locknut.

All joints needing to be watertight are supplied with rubber gaskets.

Waterproof sealant **MUST NOT BE USED** to seal, as this will have a detrimental effect on all submerged rubber seals.

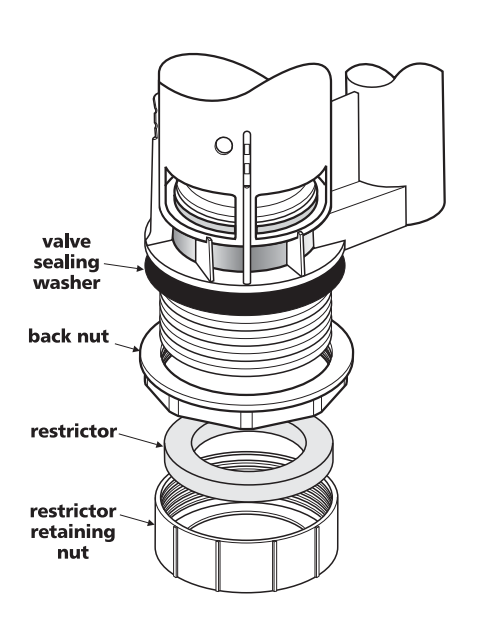


Overflow orientation



Typical arrangement - valve shown in position **D**.

3. REFER TO TABLE 1 - Fit restrictor if required



4. FITTING VALVE BRIDGE

