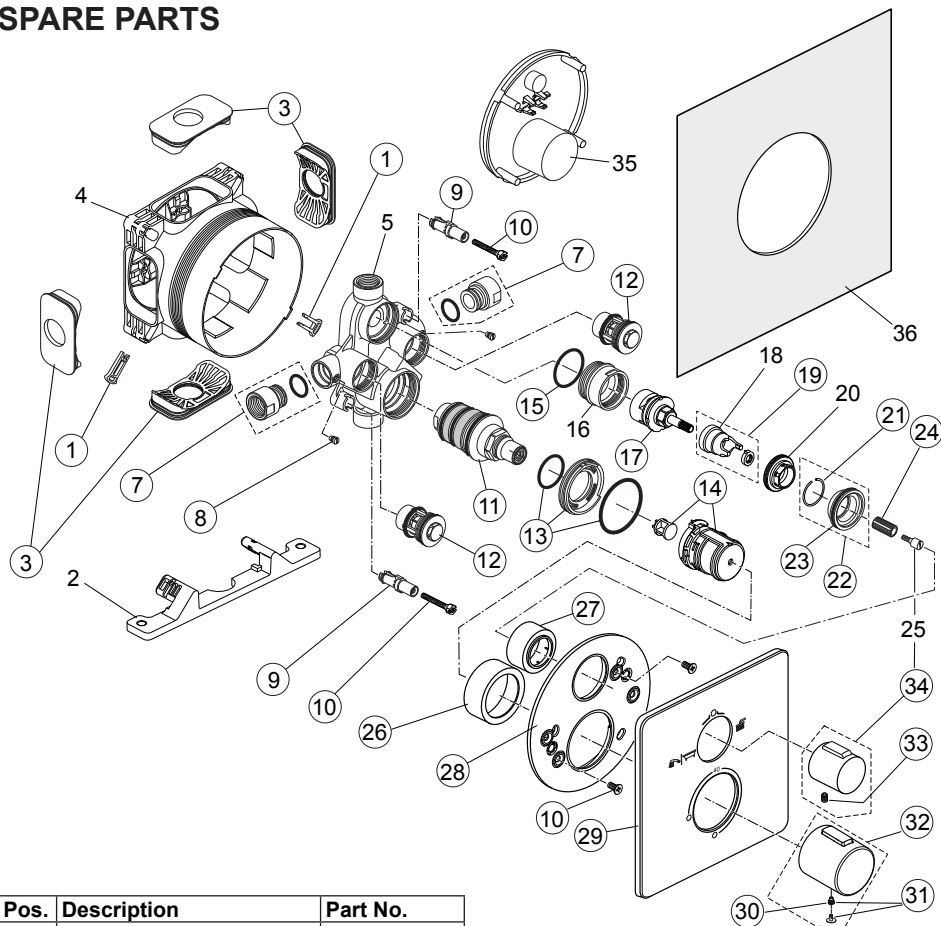


SPARE PARTS



| Pos. | Description | Part No. |
|------|--------------------------|--------------|
| 1 | Adjustment lock | A 963 131 NU |
| 2 | Fixation Built-in Box | - |
| 3 | Side sealing | A 963 132 NU |
| 4 | Built-in box | - |
| 5 | Body Thermostat | - |
| 7 | Connection nipple cpl. | F 960 899 NU |
| 8 | Thread pin M5 x 5,5 | A 961 183 NU |
| 9 | Adapter screw | F 960 903 NU |
| 10 | Screw set complete | F 960 904 NU |
| 11 | Thermostat cartridge | F 960 905 NU |
| 12 | None-return valve DN20 | F 960 906 NU |
| 13 | Holder f. escutcheon | F 960 907 NU |
| 14 | Temp.-adjustment cpl. | F 960 908 NU |
| 15 | O - ring Ø 31,47 x 1,78 | A 963 154 NU |
| 16 | Thread ring M40 x 1,5 | - |
| 17 | Stop valve with diverter | A 962 480 NU |
| 18 | Clamp cover | - |
| 19 | Clamp cover w. washer | A 962 481 NU |
| 20 | Clamping nut M36 x 1 | - |
| 21 | Snap ring | A 962 368 NU |

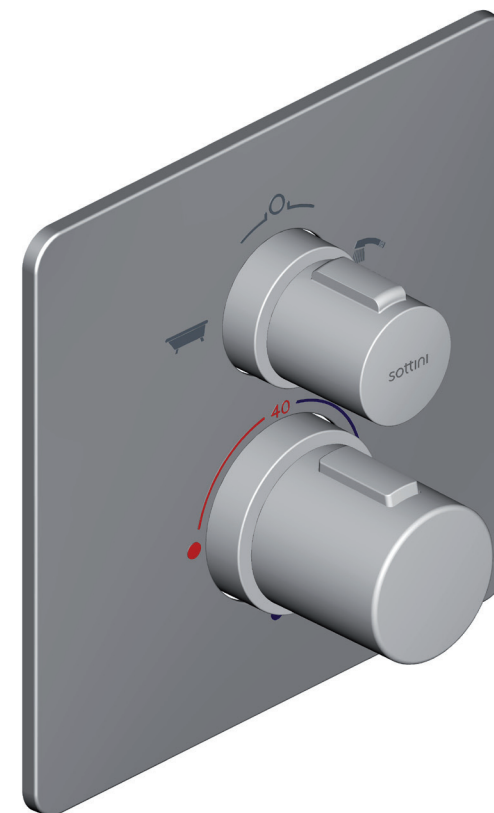
| | | |
|----|---------------------------|--------------|
| 22 | Holder f. escutcheon Vol. | F 960 909 NU |
| 23 | O - ring Ø 34 x 2 | A 960 183 NU |
| 24 | Handle insert | A 963 196 NU |
| 25 | Fixation screw M4 / Ø8 | - |
| 26 | Cover / Cap Temperature | F 960 910 AA |
| 27 | Cover / Cap Volume Contr. | F 960 911 AA |
| 28 | Escutcheon holder cpl. | F 960 912 NU |
| 29 | Escutcheon Temp./Volume | F 961 135 AA |
| 30 | Handle screw M5x5 | A 961 095 NU |
| 31 | Cap with screw | A 962 149 AA |
| 32 | Handle Therm w/o print | F 960 952 AA |
| 33 | Thread pin M5 x 8 DIN913 | A 960 229 NU |
| 34 | Volume handle + pos. 25 | A 860 957 AA |
| 35 | Cover for built-in box | - |
| 36 | Sealing fleece | - |
| | Extension kit 22mm | A 6134 AA |

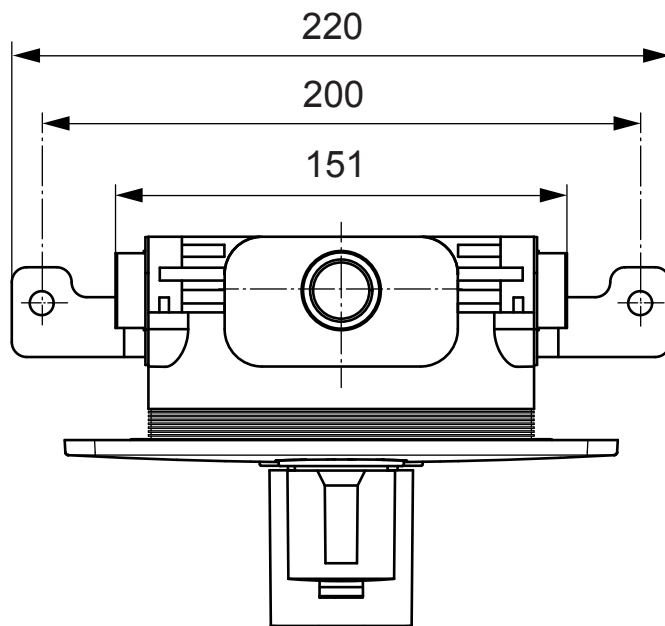
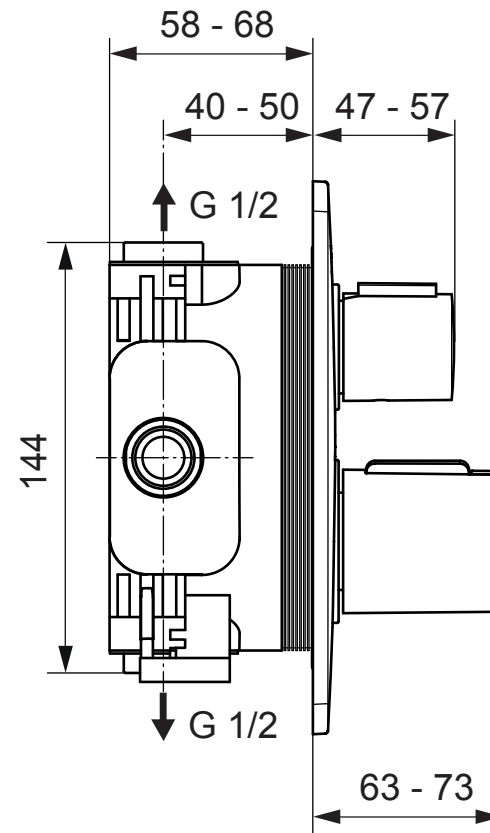
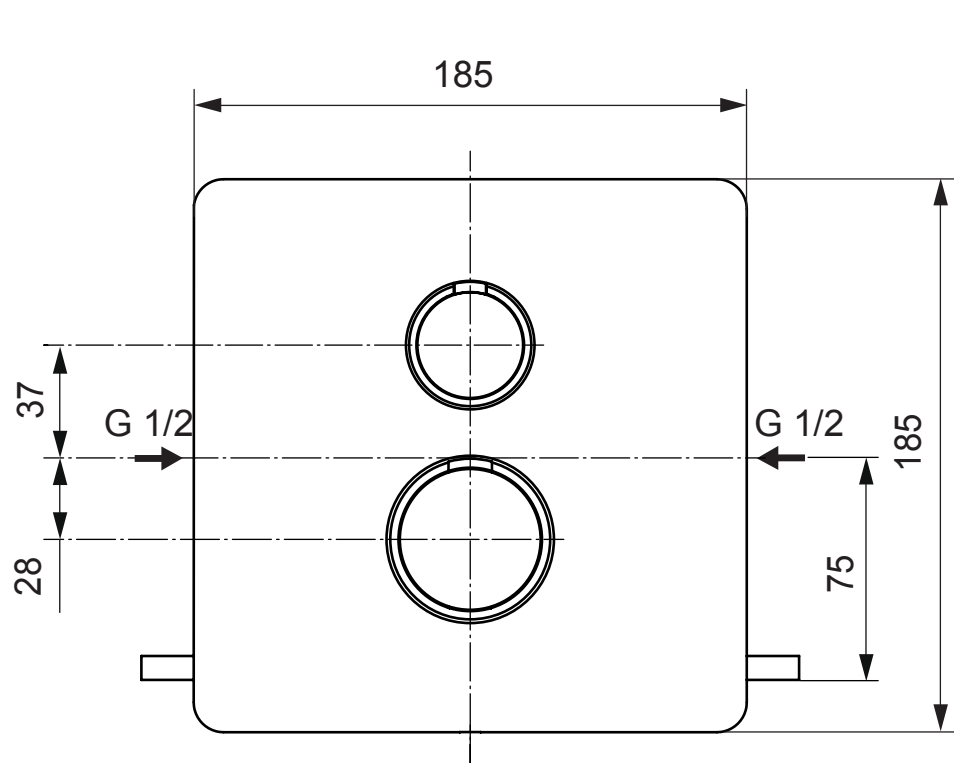
sottini

TURANO

BATH/SHOWER BUILT-IN THERMOSTAT

A 6653 AA





DIMENSIONS