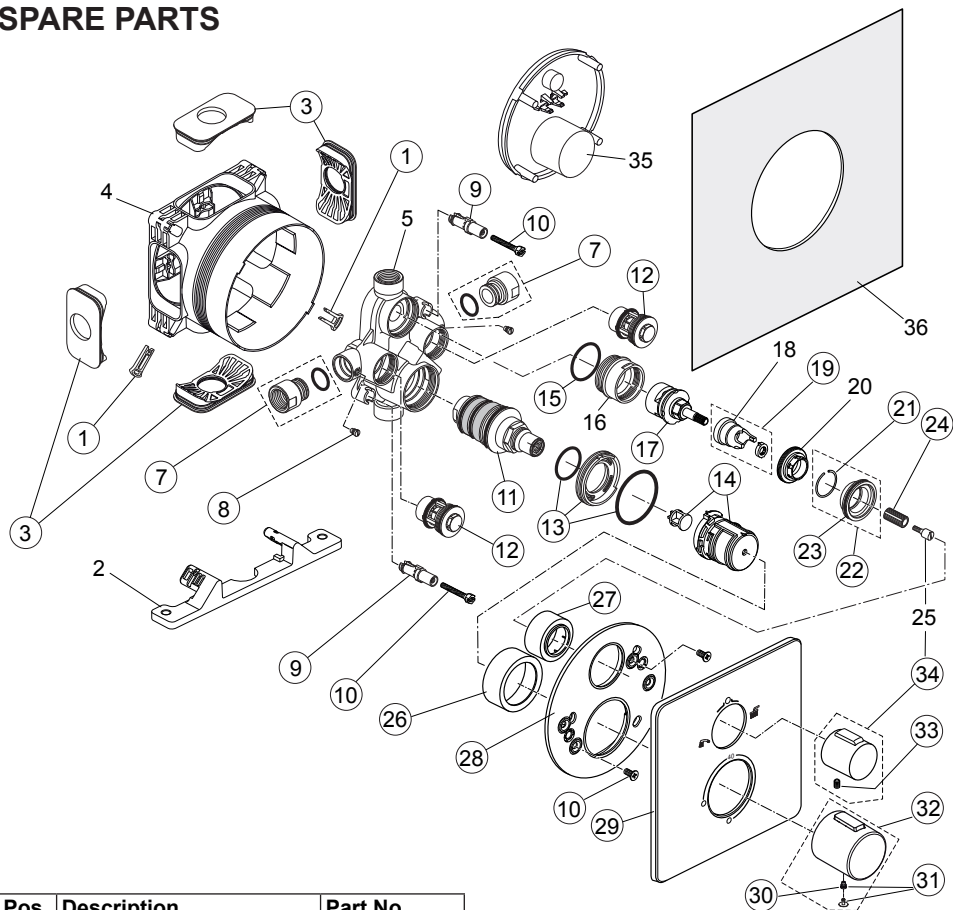


## SPARE PARTS



Pos.	Description	Part No.
1	Adjustment lock	A 963 131 NU
2	Fixation Built-in Box	
3	Side sealing	A 963 132 NU
4	Built-in box	
5	Body Thermostat	
7	Connection nipple cpl.	F 960 899 NU
8	Thread pin M5 x 5,5	A 961 183 NU
9	Adapter screw	F 960 903 NU
10	Screw set complete	F 960 904 NU
11	Thermostat cartridge	F 960 905 NU
12	None-return valve DN20	F 960 906 NU
13	Holder f. escutcheon	F 960 907 NU
14	Temp.-adjustment cpl.	F 960 908 NU
15	O - ring Ø 31,47 x 1,78	A 963 154 NU
16	Thread ring M40 x 1,5	
17	Stop valve with diverter	A 962 480 NU
18	Clamp cover	
19	Clamp cover w. washer	A 962 481 NU
20	Clamping nut M36 x 1	
21	Snap ring	A 962 368 NU

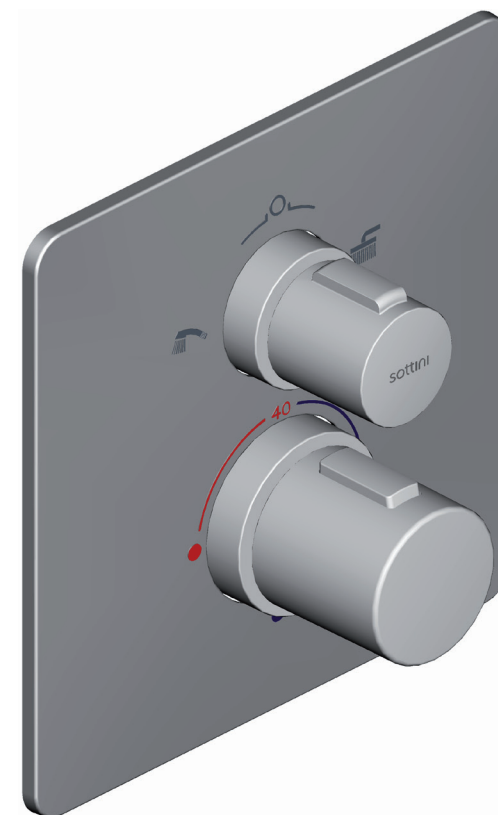
22	Holder f. escutcheon Vol.	F 960 909 NU
23	O - ring Ø 34 x 2	A 960 183 NU
24	Handle insert	A 963 196 NU
25	Fixation screw M4 / Ø8	
26	Cover / Cap Temperature	F 960 910 AA
27	Cover / Cap Volume Contr.	F 960 911 AA
28	Escutcheon holder cpl.	F 960 912 NU
29	Escutcheon Temp./Volume	F 961 136 AA
30	Handle screw M5x5	A 961 095 NU
31	Cap with screw	A 962 149 AA
32	Handle Therm w/o print	F 960 952 AA
33	Thread pin M5 x 8 DIN913	A 960 229 NU
34	Volume handle + pos. 25	A 860 957 AA
35	Cover for built-in box	
36	Sealing fleece	
	Extension kit 22mm	A 6134 AA

# sottini

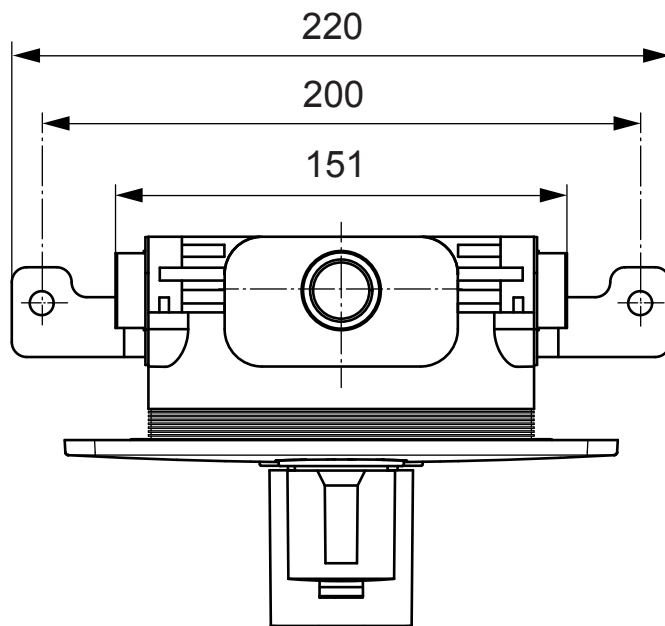
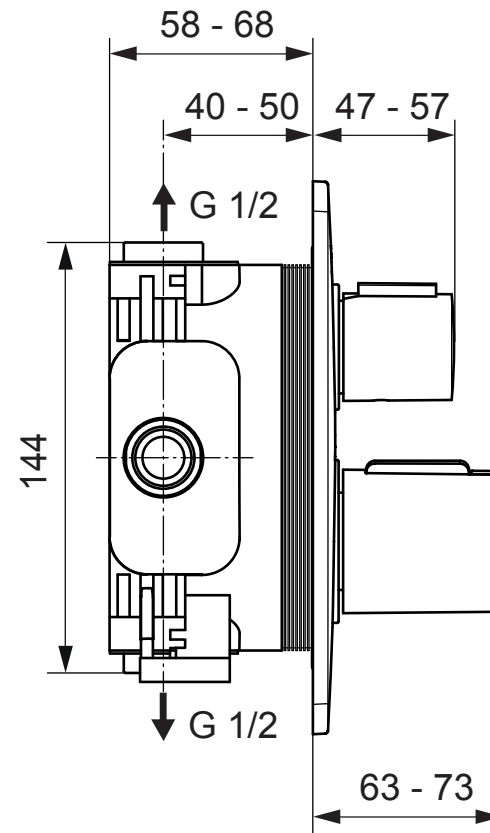
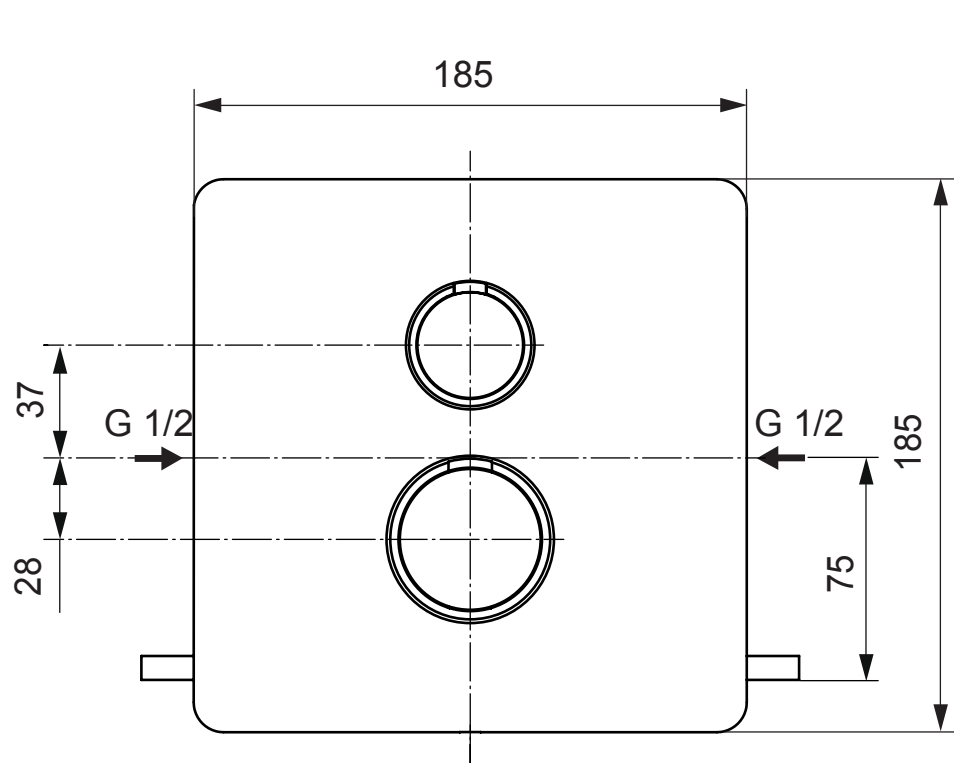
## TURANO

### BATH/SHOWER BUILT-IN THERMOSTAT

#### A 6633 AA



1015 / A 868 135  
Made in Germany



**DIMENSIONS**