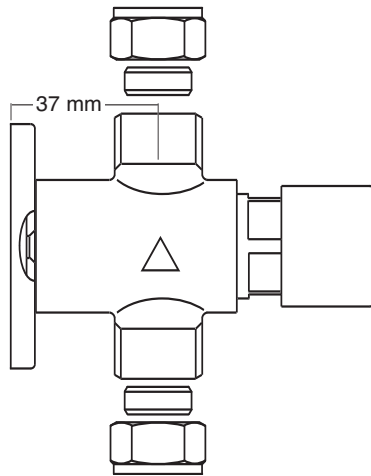


# Timed Flow Controller For Exposed Pipes



## Operating Conditions

Max. Operating Pressure	10 bar
Min. Operating Pressure	0.2 bar
Max. Inlet Temperature	65°C
Timed Flow @ 3 bar	15 ± 3 sec.

## Location

Mount on a tiled wall or similar water proof surface.  
The flow controller must not be positioned where it will be subjected to freezing conditions.

## Installation Instructions

Flush the supply pipe before fitting the flow controller as debris will prevent it from working correctly.

The back plate is supplied securely fixed to the controller body.

Position the controller on the wall, and using the 2 holes as a template mark the position for the 2 fixing holes.

**The flow controller should be located below the shower head so that the 2 pipe connections are in line.**

The height of the controller should be 1.1 to 1.2m above the floor of the shower area.

Drill and plug to suit the fixing screws supplied, which are suitable for most brick walls.  
If the wall is plaster board or soft building block use special wall plugs obtainable from most DIY stores.

Fit the controller to the wall and **check the flow direction arrow to ensure that the flow will be vertically upwards to the shower head** before tighten the fixing screws

To keep the connecting pipe between the controller and shower head parallel to the wall, an offset may be required to match the inlet connection of the shower head before cutting to length.

Using the compression nut and olive provided make a water tight joint and also on the connection to the shower head.

For additional security the pipe should be offset to suit a pipe bracket or saddle band which should be fitted midway between.

A service ball valve must be installed in the supply pipe work or the controller must be supplied via a thermostatic mixing valve, which has supply connections containing an isolating valve, to enable the controller and shower head to be isolated for cleaning or servicing.

## Aftercare

With all highly polished items, care should be taken not to damage any of the external surfaces.

To maintain the appearance of the flow controller periodically it should be cleaned with a soft damp cloth and a mild detergent before rinsing.

The use of **abrasive** or **solvent cleaners** will **damage** the finish of the product and should **not be used**.

**CUSTOMER CARE HELPLINE**  
**0870 129 6085**

**CUSTOMER CARE FAX**  
**01482 499611**

**E-MAIL**  
**ukcustcare@aseur.com**

Armitage Shanks pursue a policy of continuing improvement in design and performance of its products.

The right is therefore reserved to vary specification without notice.

Armitage Shanks is a division of Ideal Standard (UK) Ltd.

4576 0306

E96559900

*Armitage  
Shanks*

Armitage Shanks  
The Bathroom Works  
National Avenue  
Kingston-upon-Hull  
HU5 4HS  
England