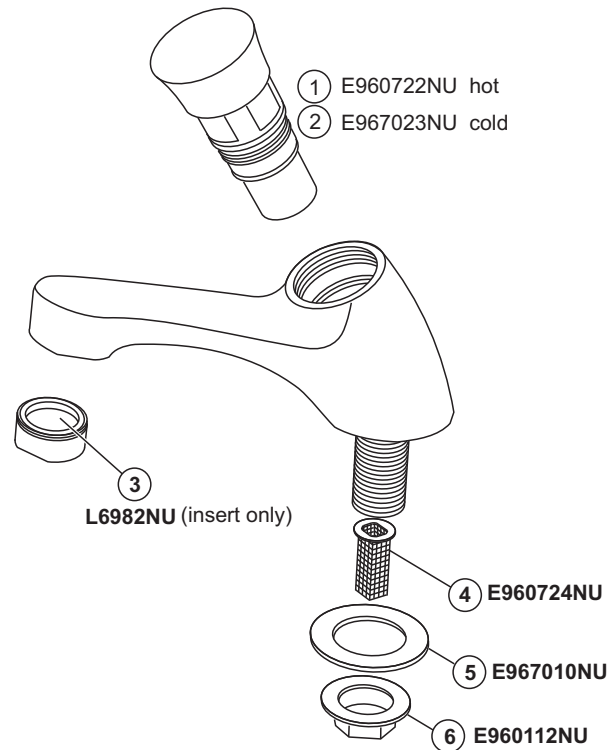
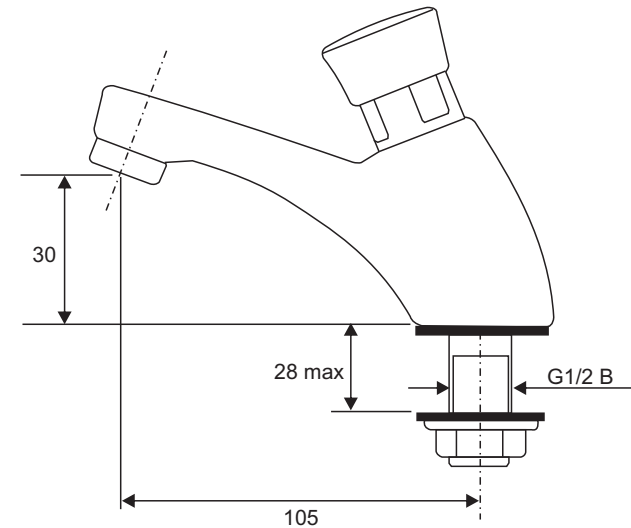


Spare parts:



INSTALLATION AND SERVICING INSTRUCTIONS

SANDRINGHAM SELF CLOSING TAP



S7029AA Sandringham Self-closing Tap

CUSTOMER CARE HELP LINE

0870 129 6085

CUSTOMER CARE FAX

01482 499611

E-MAIL

UKcustcare@idealstandard.com

Armitage Shanks pursues a policy of continuing improvement in design and performance of its products.

The right is therefore reserved to vary specification without notice.

Armitage Shanks is a division of Ideal Standard (UK) Ltd

Armitage Shanks
The Bathroom Works, National Avenue
Kingston-upon-Hull, HU5 4HS, England

4878 04/10

E96567100

*Armitage
Shanks*

INSTALLER: After installation please pass this instruction booklet to user

The fittings covered by this installation and maintenance instruction should be installed in accordance with the water regulations published in 1999*, therefore Armitage Shanks would strongly recommend that these fittings are installed by a professional installer

*A guide to the Water Supply (Water Fittings) Regulations 1999 and the Water Byelaws 2000, Scotland is published by WRAS (Water Regulations Advisory Scheme) Fern Close, Pen-y-Fan Industrial Estate, Oakdale, Newport, NP11 3EH. ISBN 0-9539708-0-9

Products covered:

This instruction sheet covers the S7029AA deck mounted self-closing tap which is designed to provide water for hand washing while avoiding waste.

It is intended to be installed basin tap ledges.

The flow duration can be adjusted by the installer

Installation:

It is good practice to fit volume regulators to control the incoming supply and as an aid to servicing. These will also be found useful in reducing the possibility of splashing.

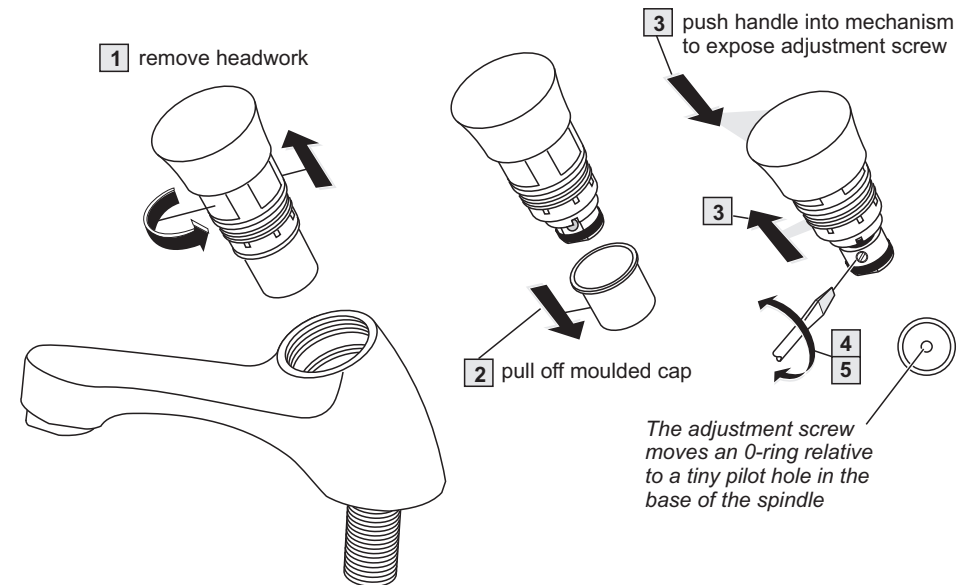
For self closing taps to function efficiently the supply pipes MUST be flushed to clear all plumbing debris before final connection of the press tap otherwise damage could be caused to the mechanism

Technical Data:

Minimum working pressure	1.0 bar (10metre head)
Maximum working pressure	7.5 bar (75 metre head)
Average cycle time	3-5 seconds

Avoid using heat for soldering near the inlet to prevent damage to internal components.

Adjustment:



- 4 Start with the screw full engaged (screwed in fully clockwise), this will give the shortest run time possible.
- 5 Unscrew (anti clockwise) to increase the run time. Make small adjustments as only $\frac{1}{4}$ of a turn will achieve continuous running.

NB: from fully engaged, unscrewing and then screwing back in by more than 2 turns will wipe any debris off the face of the pilot hole, however a blocked pilot hole will lead to continuous running and would require pricking with a circa 0.4mm pin

Care and Maintenance:

The filter will keep the fitting free from waterborne debris but may require to be cleaned periodically. The aerator may also require cleaning from time to time and the use of a proprietary lime scale remover is recommended

The chromium plated surfaces should be cleaned using only a mild detergent and wiped dry using soft cloth. Abrasives, solvents and acidic cleaners should not be used.