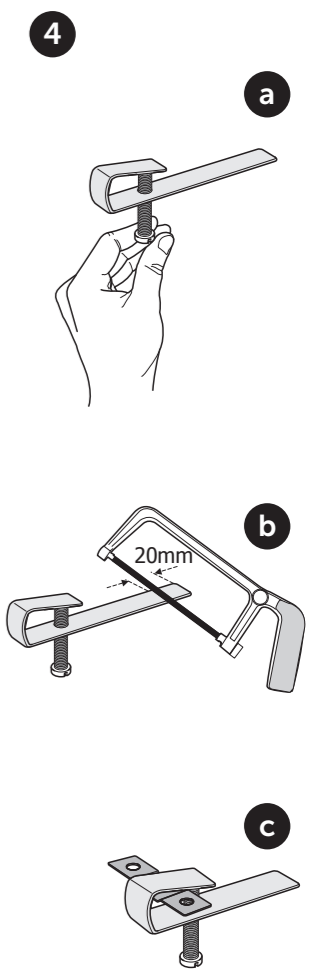
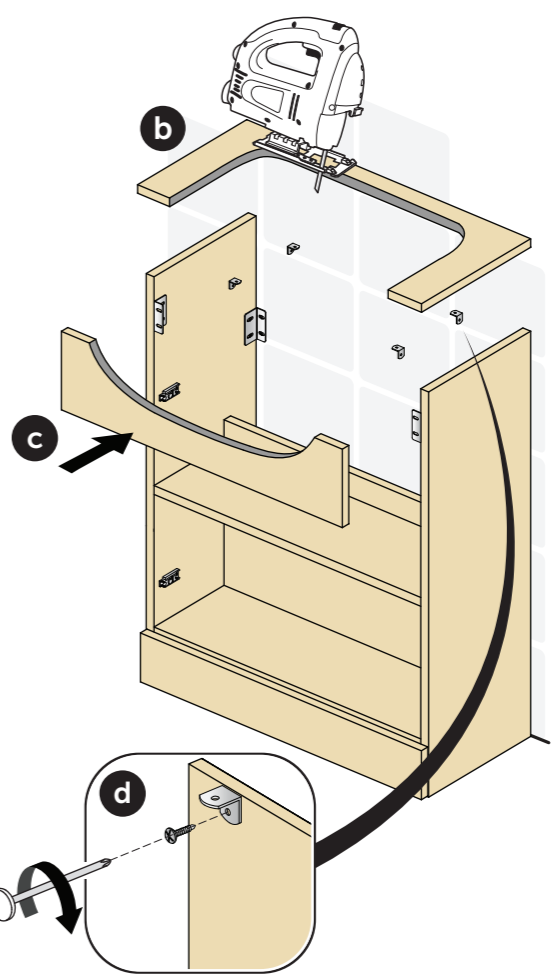
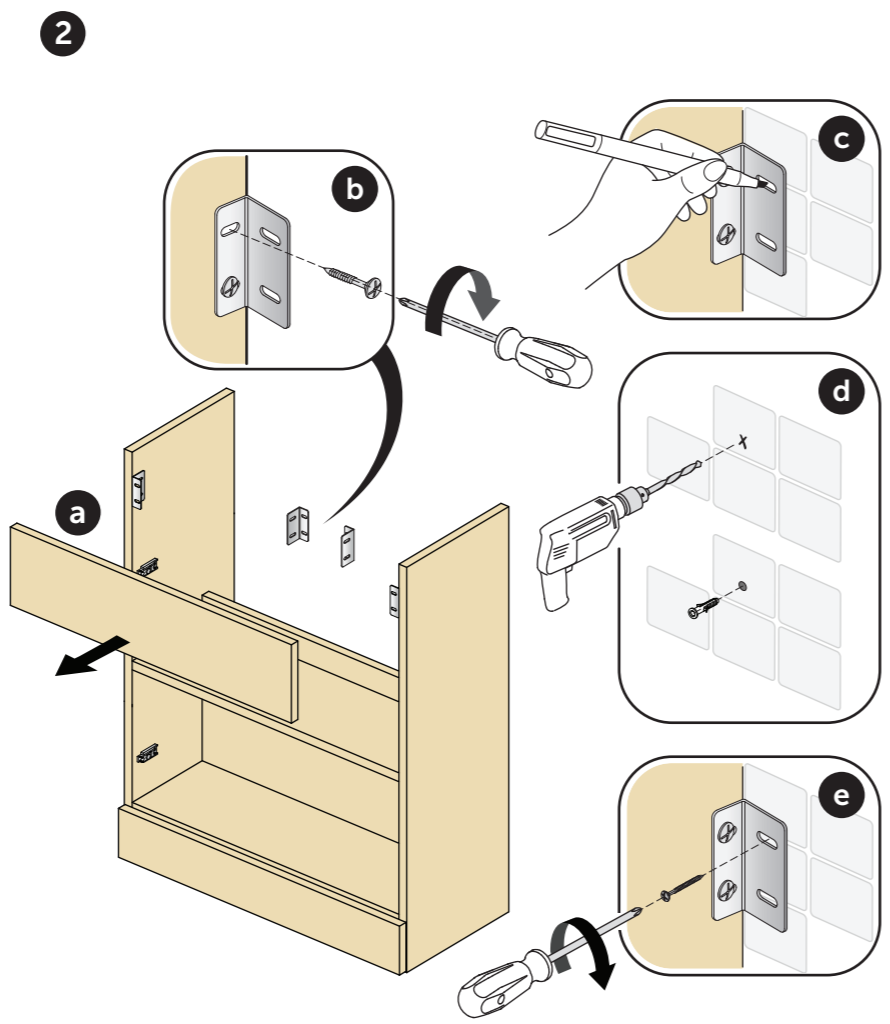
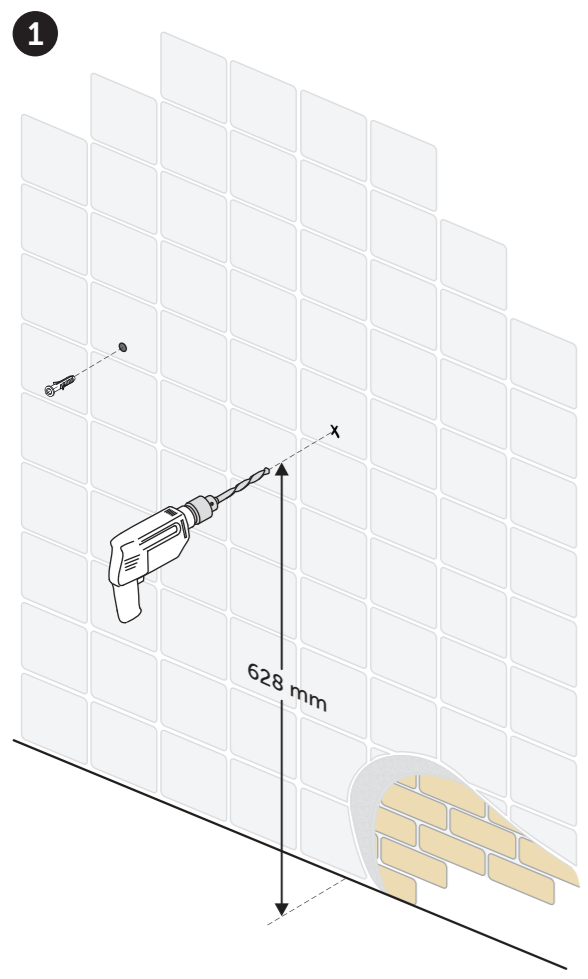
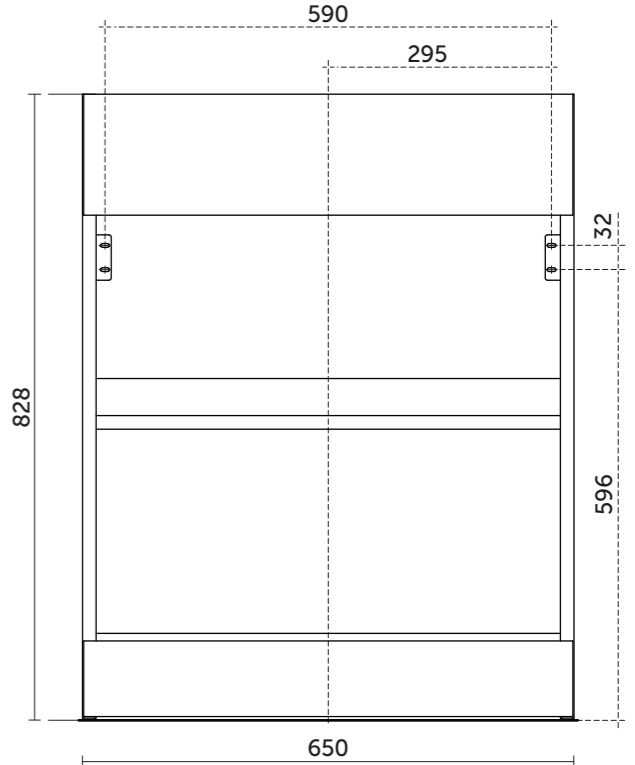
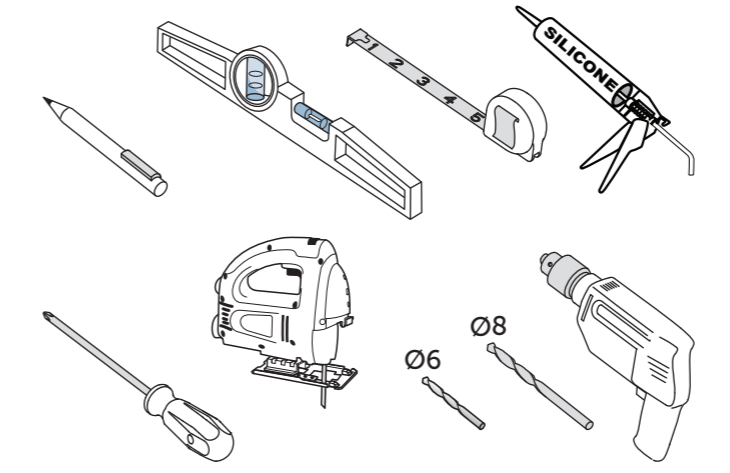
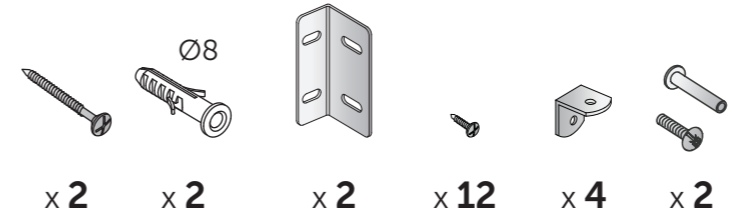


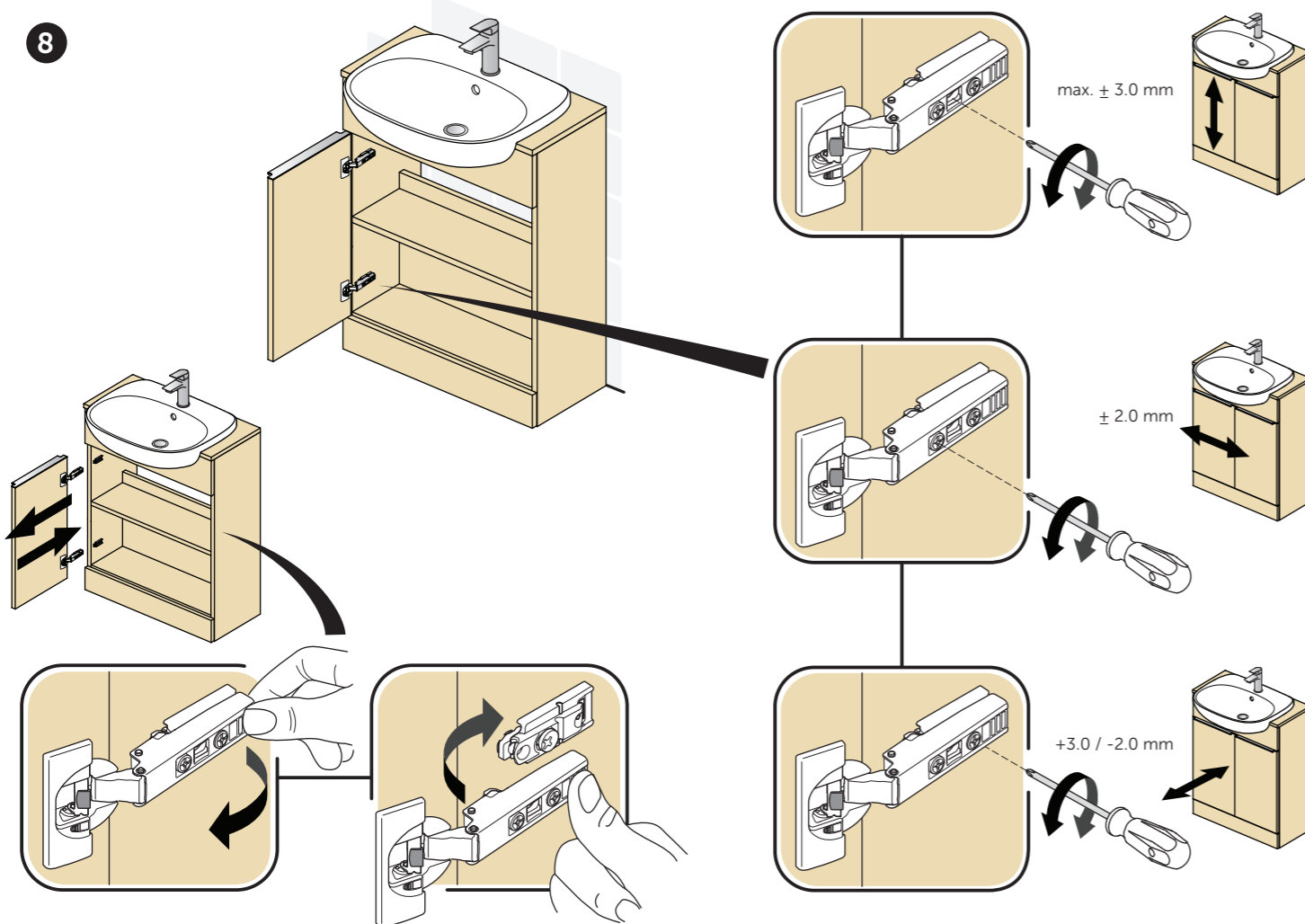
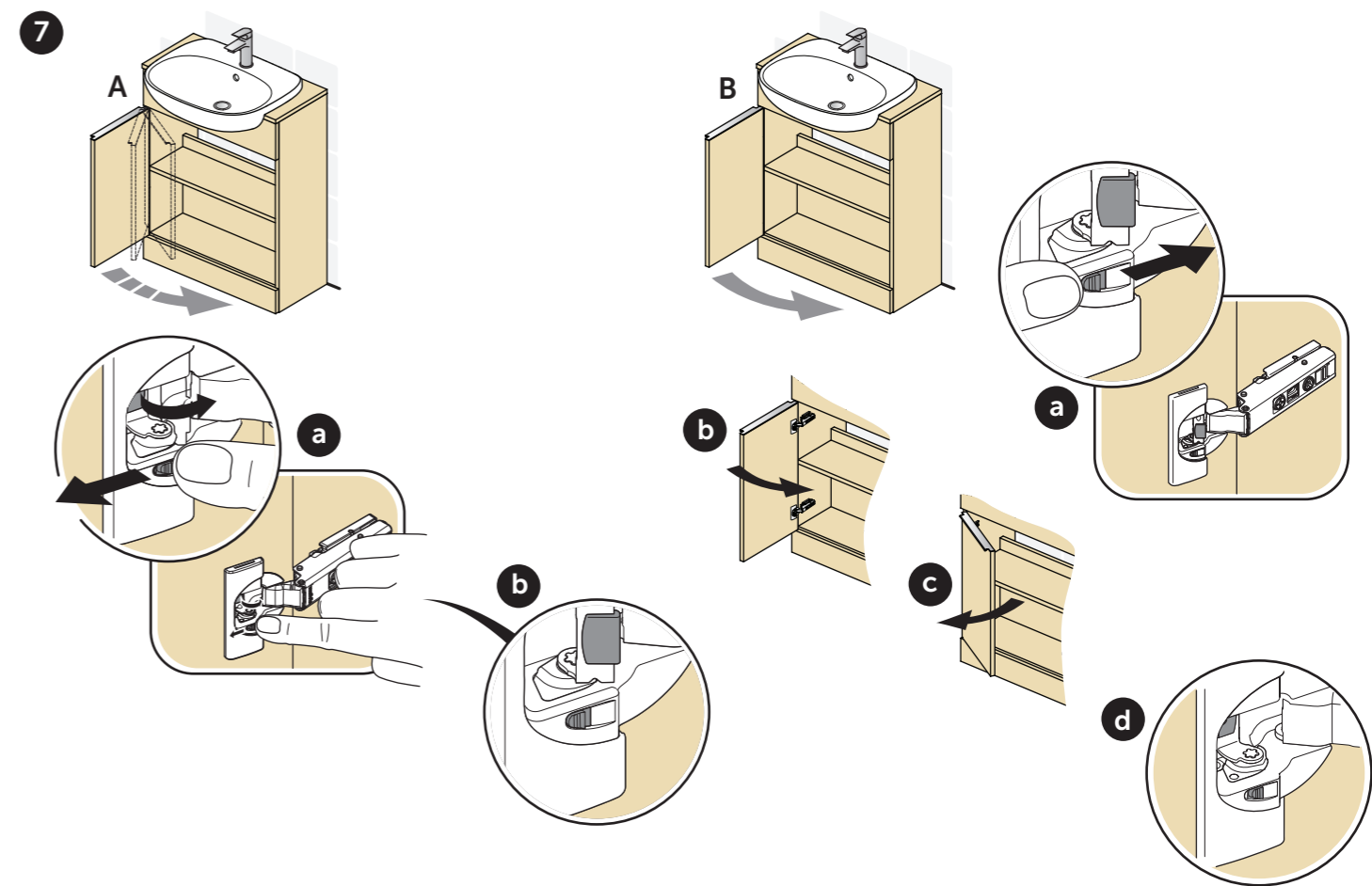
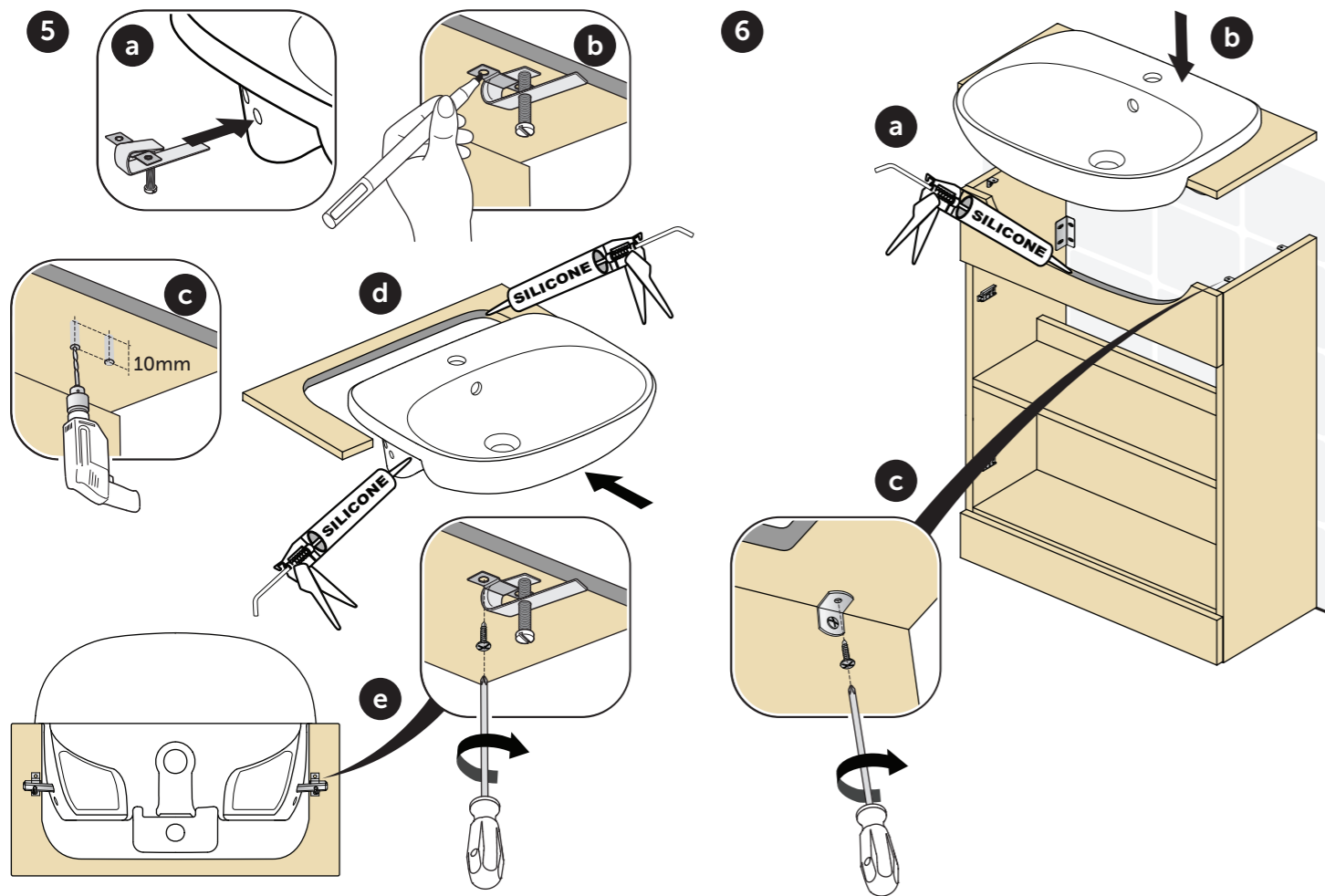
UK Assembly instructions.
 Please read the instructions first. We reserve the right to change product specifications due to possible technical improvements.
Caution: Always use appropriate fixings to suit your type of wall.
 Coat all cut areas with moisture resistant sealant to prevent ingress.

CLEANING INSTRUCTIONS
 Furniture surfaces **MUST ONLY** be cleaned using a damp cloth with warm water. Excessive wetting **MUST BE** avoided and any spills should be removed immediately

ENVIRONMENT
 Excessive condensation should be avoided

GUARANTEE
 Guarantee is void if the furniture is not installed in an adequately ventilated/heated bathroom





PRODUCT SHEET

Types of materials

- Basin unit, column, worktop : melamine paper chipboard panel class E1
- Front bar: anodized and brushed aluminium
- Reinforcement bracket: Zinc-coated steel
- Drawer: ABS with steel runners soft-closing system, MDF base panel class E1
- Hinges: steel with Soft-closing
- Shelf: glass 6 mm
- Handle: powder painted aluminium

Safety

- Do not place more than a 2 Kg load on each shelf
- Do not apply pressure of more than 15 Kg on open drawers
- Product with electrical connections should only be installed and fixed by qualified electrician, who will install it in accordance to the installation manuals and the norms in force in the country.
- Incorrect installation and/or use of the item for any purpose other than that for which it was intended can be dangerous or cause possible injury to users.
- When cleaning or using the bathroom, please take care for all furniture having integrated lights or other electric parts, to avoid direct contact with water or moisture.
- The products should be installed in a bathroom with adequate ventilation.

Maintenance and Cleaning

- Wipe down with a damp cloth or a gentle detergent and dry carefully.
- Do not use any solvents or abrasive substances for cleaning. Spilt liquids must be wiped up immediately using a cloth; thereafter, dry the surface with a clean dry cloth.

Product life-cycle

At the end of its useful life, entrust the unit to the local waste disposal company.

National Avenue
Kingston-upon-Hull
HU5 4HS, England
Customer care line:
Tel: +44 (0)870 129 6085
Fax: +44 (0)1482 499611