

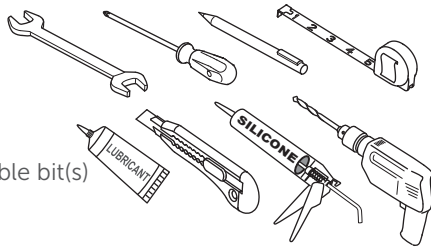
INSTALLATION

Installation - Installazione - Installation - Montage - Instalación - Montering - Монтаж
 Montáž - Paigaldamine - Εγκατάσταση - Beszerelés - Montavimas - Montāža - Instalare
 Инсталација - Montaž - Установка - Montaža - Montáž - Montaj - Інсталяція

GENERAL INFORMATION

Tools/Materials Required (not supplied)

Spanners
 Screwdriver
 Pencil or Marker Pen
 Measuring Tape
 Lubricant
 Silicone
 Power Drill and suitable bit(s)
 Model knife



The Water Regulations have a requirement to fit a servicing valve adjacent to the cistern.

Access panel to the cistern should be provided for maintenance purposes.

It is the installer/specifiers responsibility to ensure compatibility with other manufacturers WC pans.

The tank contents are pre-fitted at works, however it is recommended that the inlet and outlet valve seals are checked for water tightness before installing the tank.

When connecting float operated fill valve to water supply pipework, adjust the float to give shut off at the water level as marked on cistern.

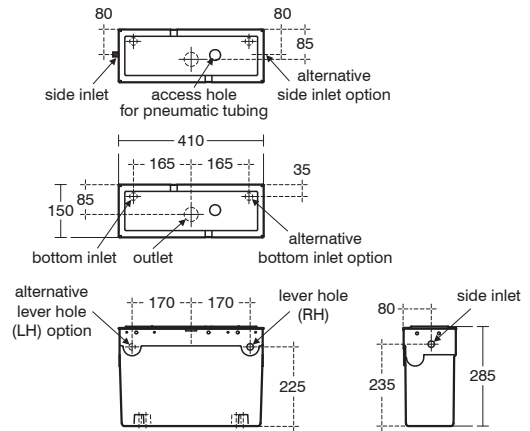


Chemicals & paints

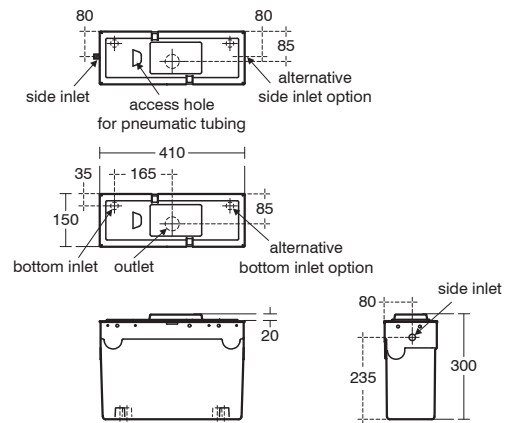
Do not allow the Univalve to come into contact with jointing compounds, cellulose based paints, paint thinners or strippers, solder flux, acid based descalents or aggressive cleaning products including those below pH4, high in hypochlorite (e.g. bleach) or containing hydrogen peroxide.



• Lever and push button versions



• Flush plate operated version



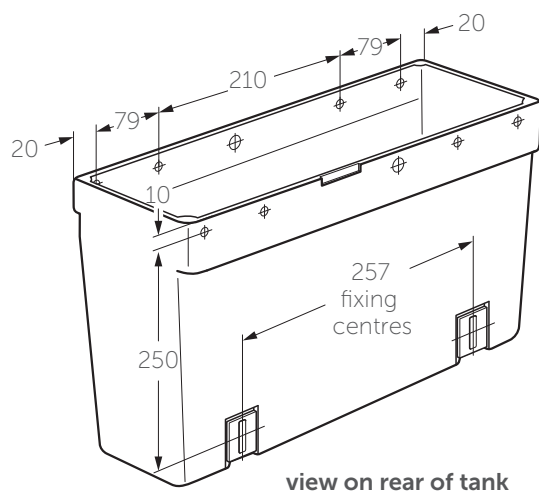
Dimensions are approximate only

TANK MOUNTING

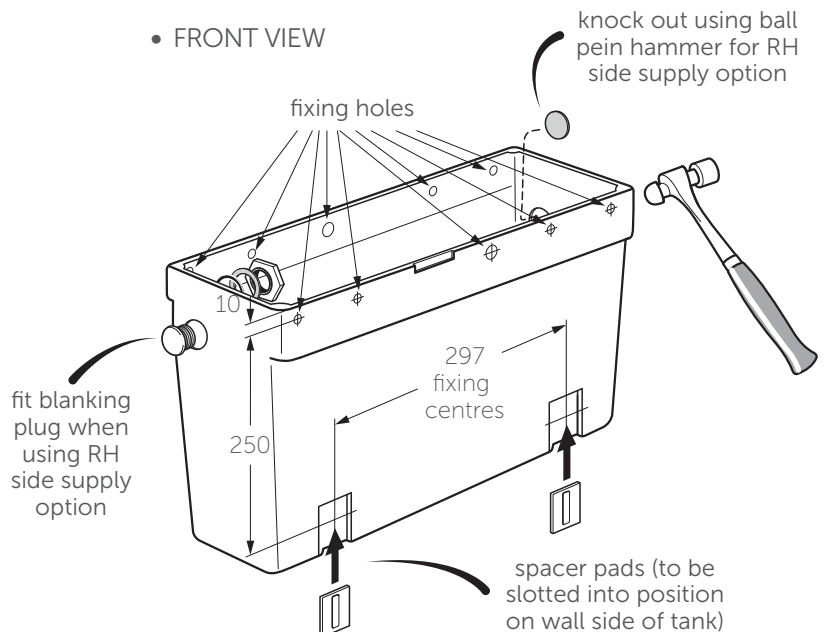
Four fixing holes are supplied in back and front faces of tank for front or rear wall mounting.

Note: Tanks are not reversible.

• BACK VIEW



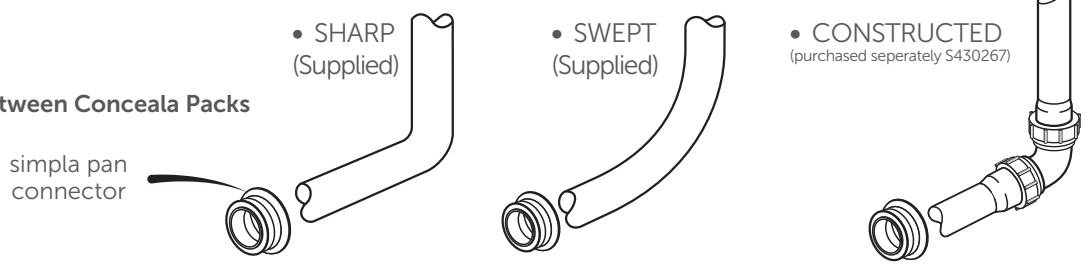
• FRONT VIEW



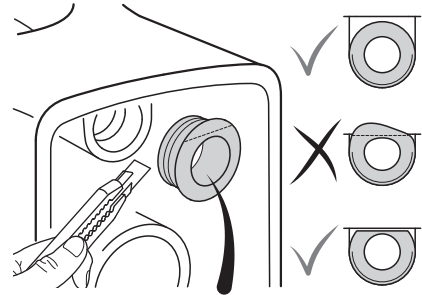
Note: Secure to wall using corrosive resistant fastenings suitable to wall construction (not supplied)

FLUSH BENDS

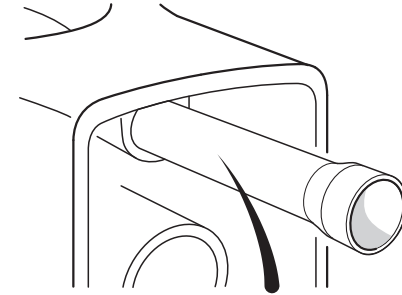
Flush bend(s) supplied vary between Conceala Packs



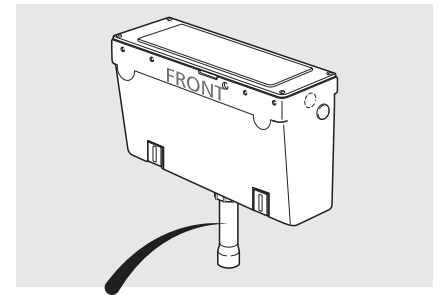
Assembly of Constructed Bend



Cut Simpla pan connector to suit if necessary. Apply silicone for better sealing if needed.



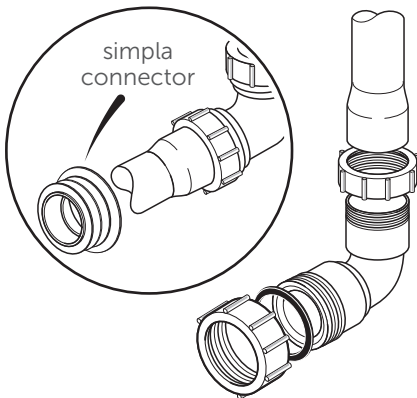
Cut horizontal length to suit (cut end with smaller diameter). Allow extra length for elbow and inlet connector (Simpla).



Cut vertical length to suit (cut end with smaller diameter). Allow extra length for elbow and cistern connection.

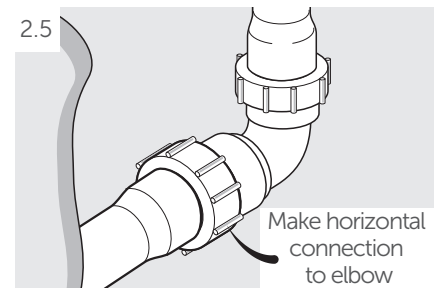
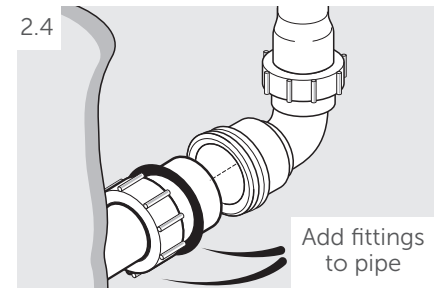
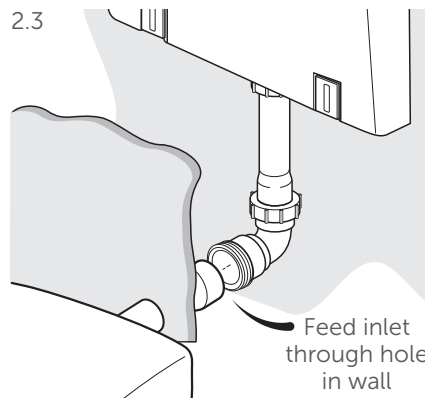
METHOD 1

- 1.1 assemble both pipes with elbow
- 1.2 fit to cistern
- 1.3 fit inlet connector (Simpla)



METHOD 2

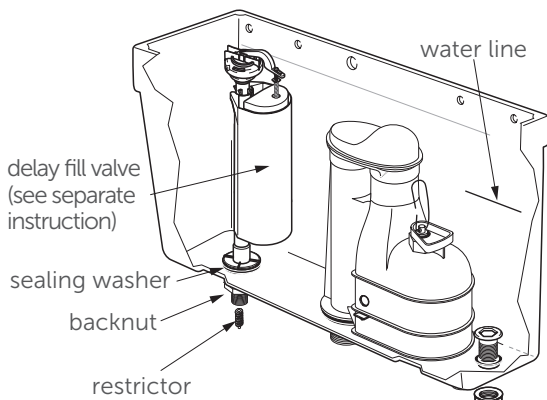
- For closets with recessed inlet boss
- 2.1 fit elbow to vertical pipe
- 2.2 fit vertical pipe to cistern



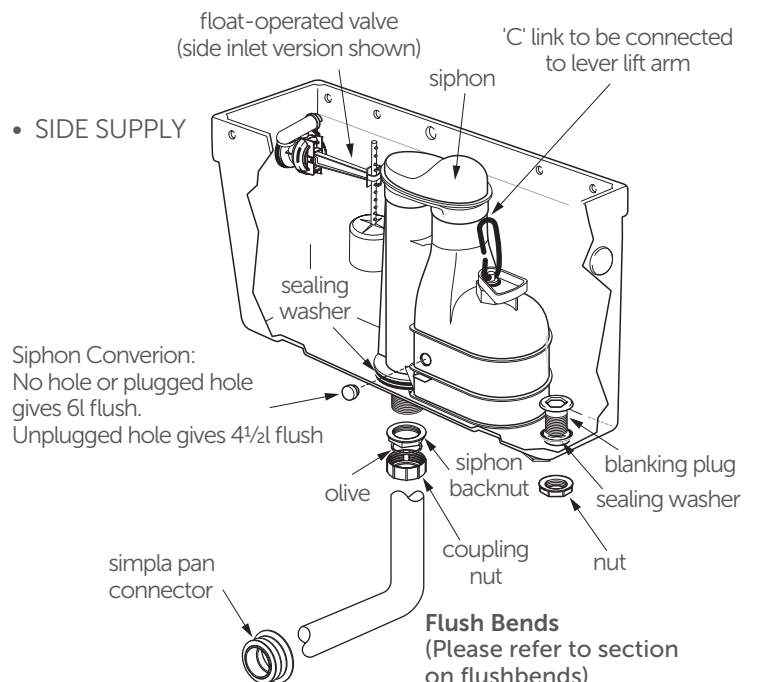
For METHOD 2 access is needed behind the wall to complete the assembly.

LEVER OPERATED (SINGLE FLUSH)

• BOTTOM SUPPLY



• SIDE SUPPLY



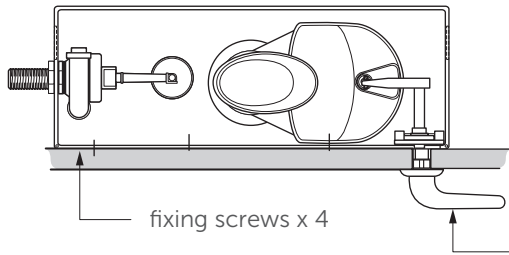
Illustrations shown may not represent product supplied

LEVER OPERATED (SINGLE FLUSH)

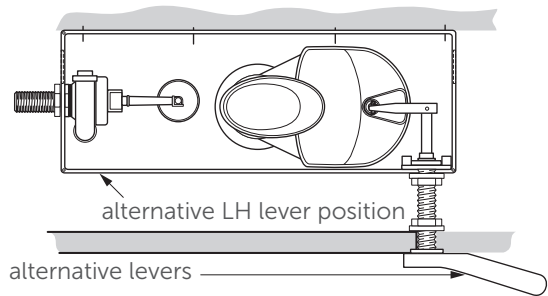
TYPICAL ARRANGEMENTS

- FRONT FIXING

For lever fixing, please refer to details supplied with the lever.

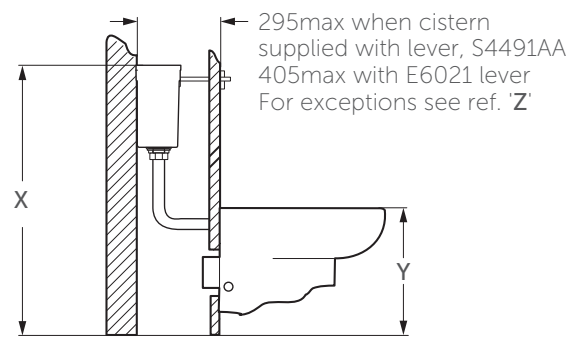
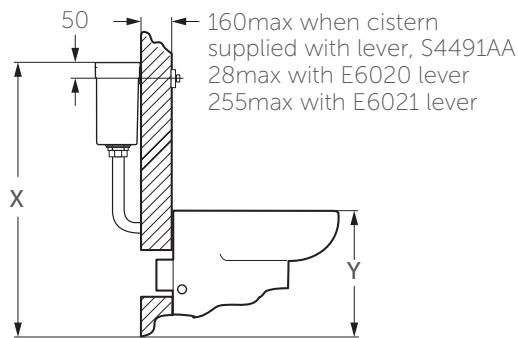


- REAR FIXING



Cistern heights below 900 can only be achieved with E6020 & E6012 levers

NOTE: Concept Freedom Wall Mounted and Back To Wall pans and all Back To Wall Mounted pans with Aquablade technology are not suitable for use with lever operated cisterns. All dimensions shown in millimetres. Dimensions shown may vary within permitted tolerances.



- 6 LITRE FLUSH

NOTE: Unless quoted below tanks to be fitted as detailed on previous page

Lever / 6 L / BTW WCs		flush bend	X	Z
U8142	Chiani	sharp	810	280
E7916	Concept (box rim)	swept	810	290
E0509	Concept Aquablade	sharp	810	280
E1208	Concept Space Compact	sharp	810	280
S0439	Contour 21+	swept	850	250
S0440	Contour 21+ R.Ht	swept	860	250
S0437	Contour 21+ 700 R.Ht	sharp	900	250
S0438	Contour 21+ 750 R.Ht	sharp	900	250
S3046	Contour 21 305 Schools	swept	900	250
S3047	Contour 21 355 Schools	swept	900	250
S3122	Contour 21 305 Splash	sharp	780	280
S3125	Contour 21 355 Splash	sharp	780	280
S0781	Edit D	swept	810	280
S0793	Edit R	sharp	810	280
S3095	Profile 21	swept	810	280
E8974	Sandringham 21	swept	810	260
U8504	Santorini	sharp	810	280
T2827	Studio Echo	swept	810	280

Lever / 6 L / WM WCs		flush bend	X	Y	Z
U8143	Chiani	sharp	810	400	290
E8025	Concept Space	sharp	810	400	290
S0443	Contour 21+	swept	900	450	250
S3077	Contour 21+ 700	construct	900	450	250
S3078	Contour 21+ 750	construct	900	450	250
S3127	Contour 21 355 Splash	sharp	780	355	280
S0782	Edit D	sharp	810	410	280
V3910	Sandringham 21	swept	810	400	250
E1585	Studio Echo	sharp	810	410	280
T3275	Tempo	sharp	810	400	250

• 4.5 LITRE FLUSH

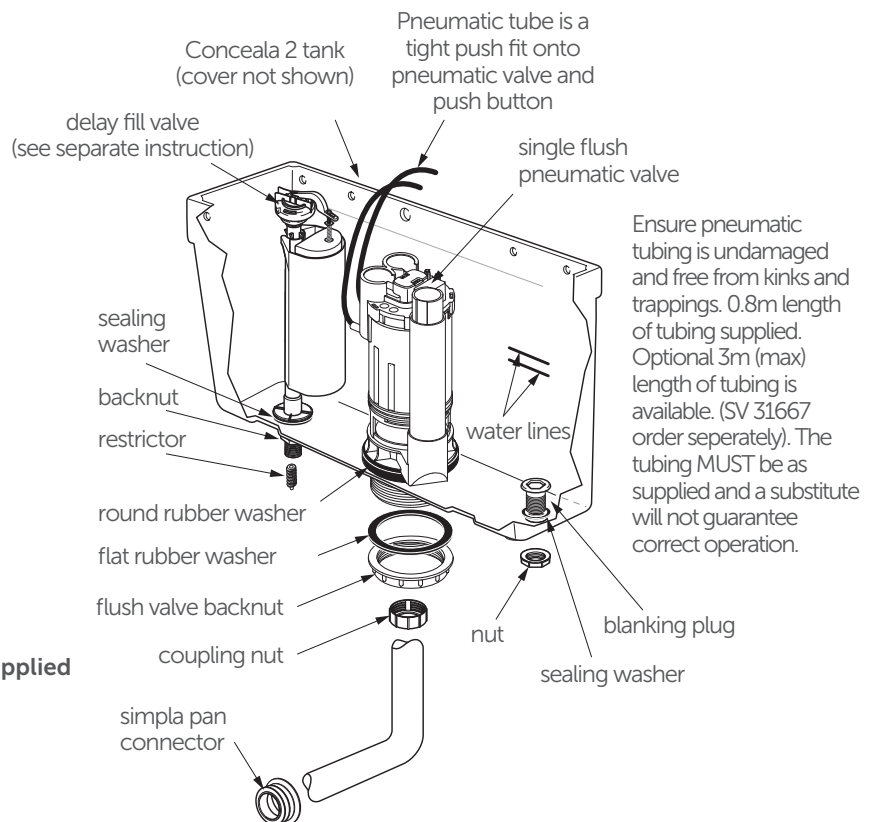
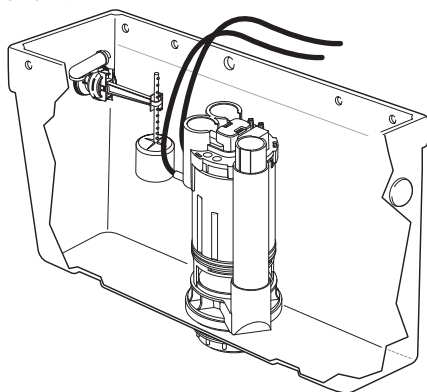
NOTE: Only closets listed are suitable for 4.5Litre single flush

Lever / 4.5 L / BTW WCs		flush bend	X	Z
U8142	Chiani	sharp	810	280
E7916	Concept (box rim)	swept	810	290
E0509	Concept Aquablade	sharp	810	280
E1208	Concept Space Compact	sharp	810	280
S0439	Contour 21+	swept	850	250
S0440	Contour 21+ R.Ht	swept	860	250
S0437	Contour 21+ 700 R.Ht	sharp	900	250
S0438	Contour 21+ 750 R.Ht	sharp	900	250
S3046	Contour 21 305 Schools	swept	900	250
S3047	Contour 21 355 Schools	swept	900	250
S3122	Contour 21 305 Splash	sharp	780	280
S3125	Contour 21 355 Splash	sharp	780	280
S0781	Edit D	swept	810	280
S0793	Edit R	sharp	810	280
S3095	Profile 21	swept	810	280
E8974	Sandringham 21	swept	810	260
U8504	Santorini	sharp	810	280
T2827	Studio Echo	swept	810	280

Lever / 4.5 L / WM WCs		flush bend	X	Y	Z
U8143	Chiani	sharp	810	400	290
E8025	Concept Space	sharp	810	400	290
S0443	Contour 21+	swept	900	450	250
S3077	Contour 21+ 700	construct	900	450	250
S3078	Contour 21+ 750	construct	900	450	250
S3127	Contour 21 355 Splash	sharp	920	355	280
S0782	Edit D	sharp	810	410	280
V3910	Sandringham 21	swept	970	400	250
E1585	Studio Echo	sharp	810	410	280
T3275	Tempo	sharp	810	400	250

PUSH BUTTON OPERATED 6 LITRE SINGLE FLUSH

side supply variant



Illustrations shown may not represent product supplied

Flush Bends
(Please refer to section on flushbends)

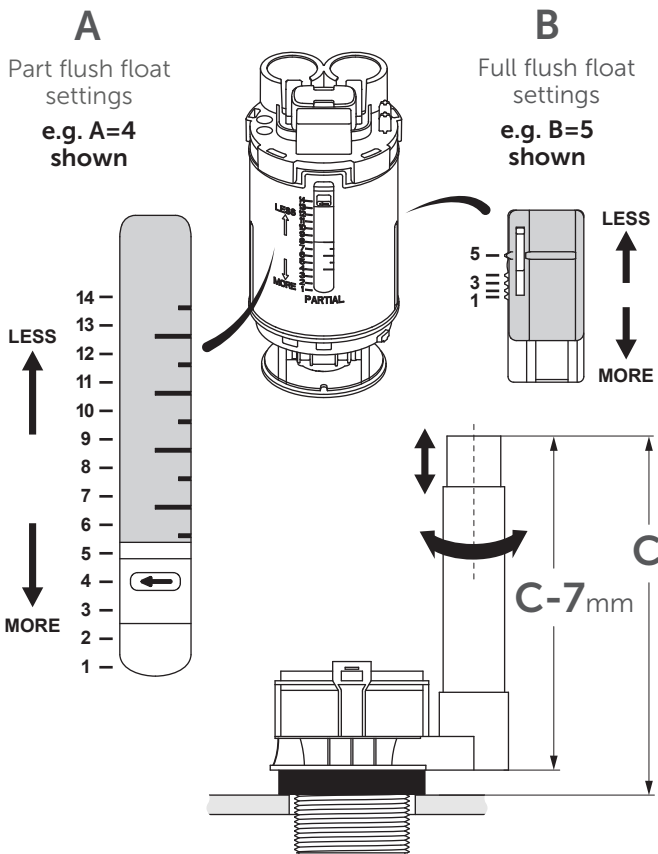
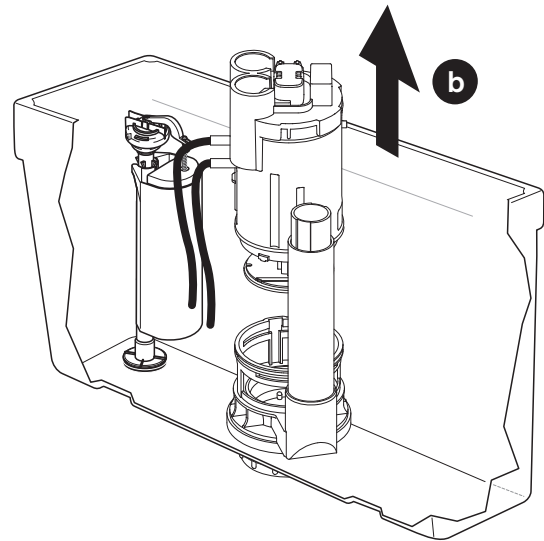
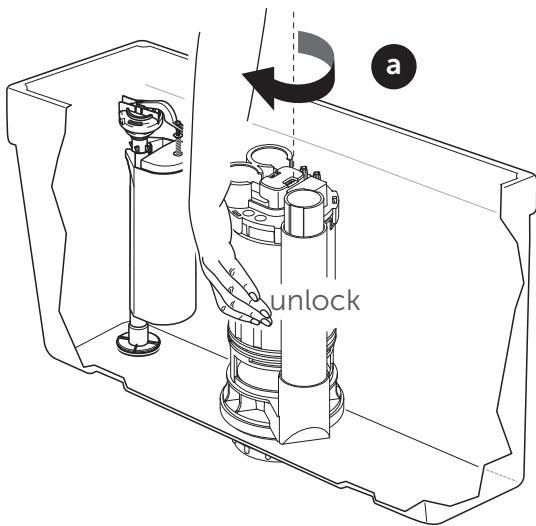
OUTLET VALVE SETTINGS

If installed, turn outlet valve body anticlockwise and lift, parting it from outlet valve seat. Adjust valve settings to chart below by moving adjusters up or down.

IMPORTANT NOTE



Not all wc pans are designed to flush at 4/2,6 litre. Check pan performance details before setting valve at these settings.



	inlet	Litre	Water line	A	B	C
Single flush	Bottom	4	153	-	4	182
	Bottom	4.5	153	-	3	182
	Bottom	6	167	-	2	196
	Side	4	153	-	5	182
	Side	4.5	153	-	4	182
	Side	6	167	-	2	196
Dual flush	Bottom	4/2.6	153	5	3	182
	Bottom	4.5/3	160	5	4	191
	Bottom	6/4	167	2	3	196
	Side	4/2.6	153	5	3	182
	Side	4.5/3	160	5	4	191
	Side	6/4	167	3	3	196

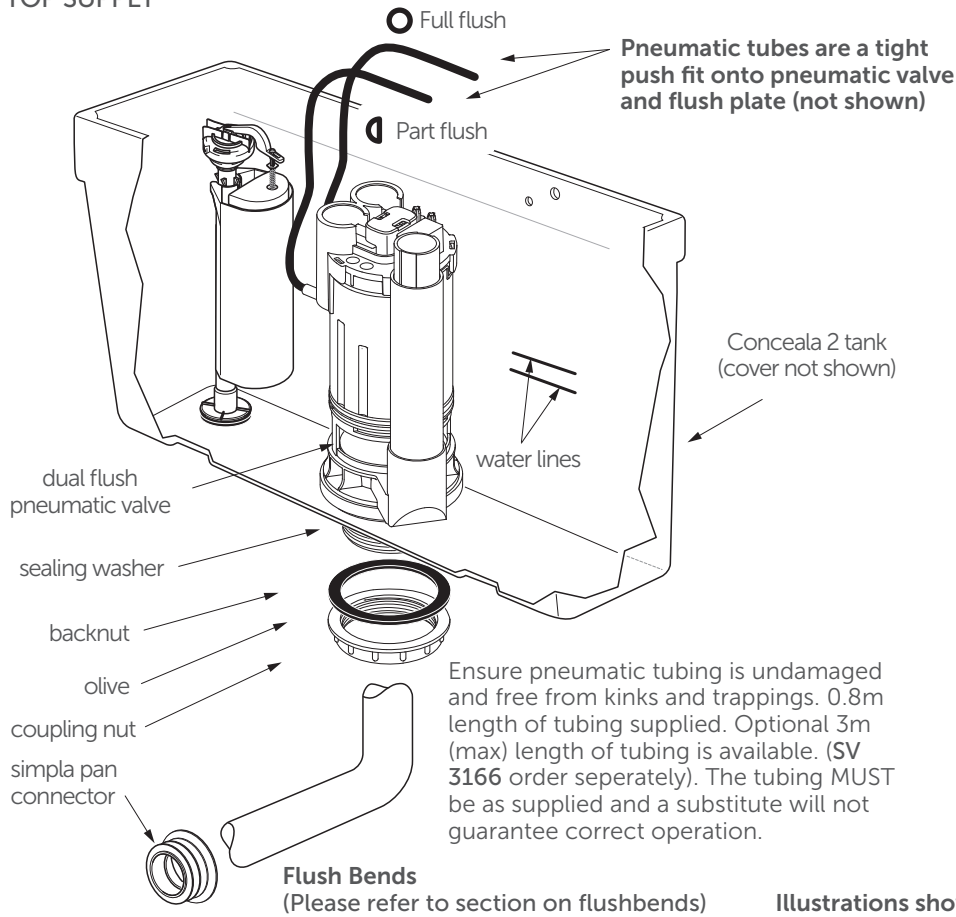
C is the overflow tube height measured from the base of the tank. Subtract 7 if measuring from the base of plastic cage without the seal.

Illustration may not reflect item as supplied.

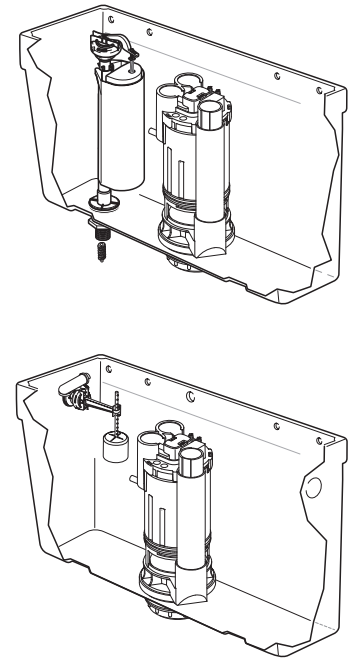
All cistern components must be installed in accordance with UK water regulations. If in doubt please consult a suitably qualified professional.

FLUSH PLATE OPERATED (DUAL FLUSH)

• TOP SUPPLY

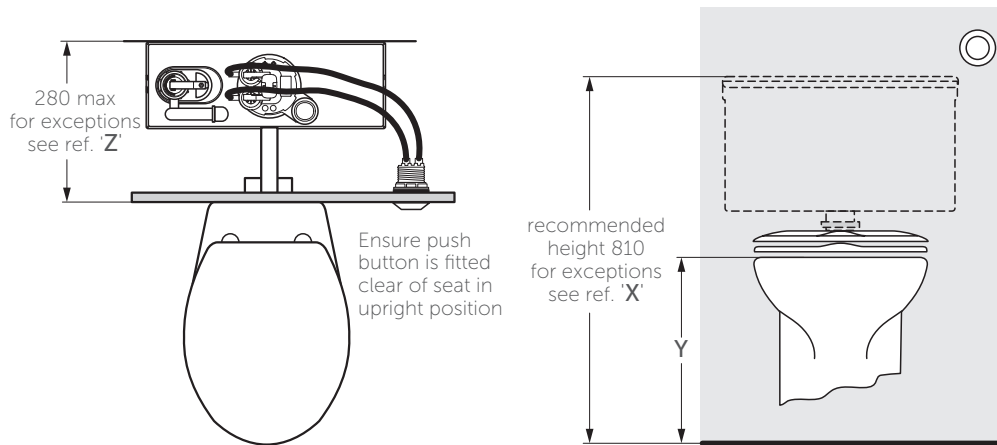


• DUAL FLUSH VARIANTS



Illustrations shown may not represent product supplied

PUSH BUTTON OPERATED 6 LITRE SINGLE FLUSH



NOTE: For WM closets 810 recommended height from floor to top of cistern is with pan front rim at 400mm. See table for excetions.

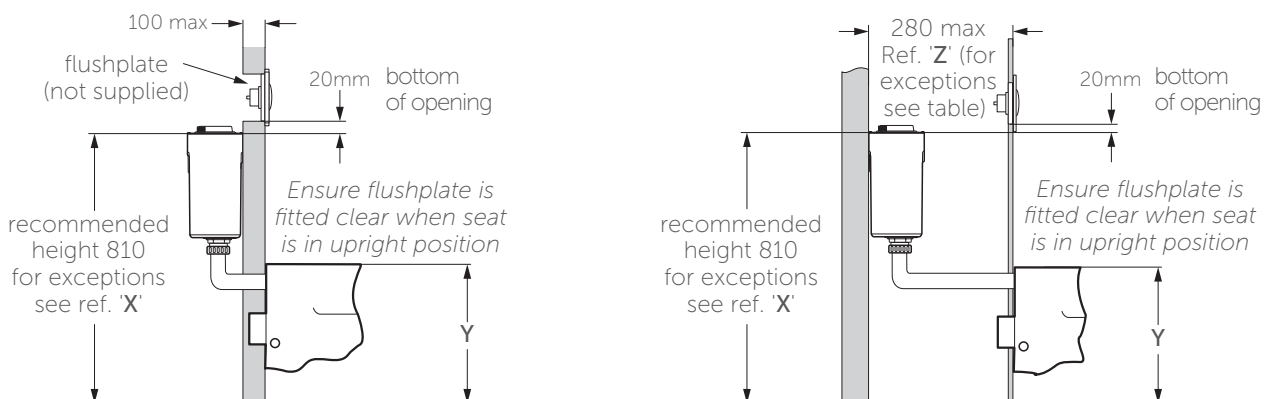
Sharp flush bend to be used with cisterns height 'X' set at 810 and distance from back of bowl to back of cistern 'Z' set at 280 (max) unless otherwise stated.

For Wall Mounted closets, dimension 'Y' can vary but the relationship between dimension 'X' and 'Y' MUST be maintained.

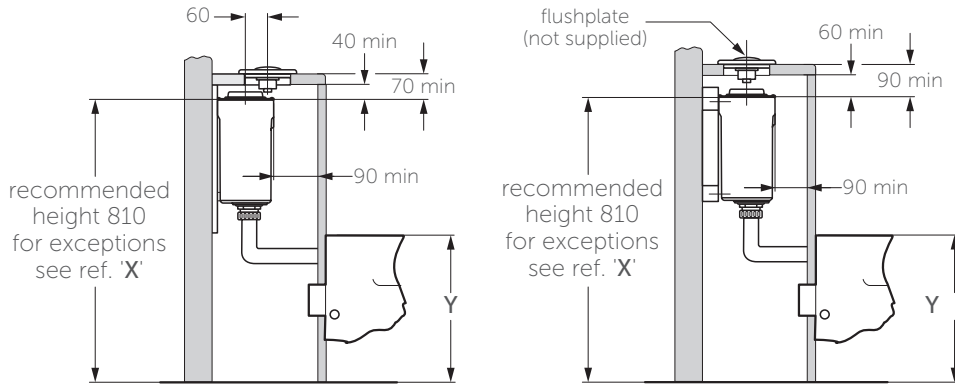
All dimensions shown are in millimetres. Dimensions shown may vary within permitted tolerances.

FLUSH PLATE OPERATED 6/4 LITRE DUAL FLUSH

• CISTERN MOUNTING FOR WALL OPERATION



• CISTERN MOUNTING FOR TOP OPERATION



Note: For WM closets 810 recommended height from floor to top of cistern is with pan front rim at 400mm. All dimensions shown in millimetres. Dimensions are approx. and may vary within permitted tolerances.

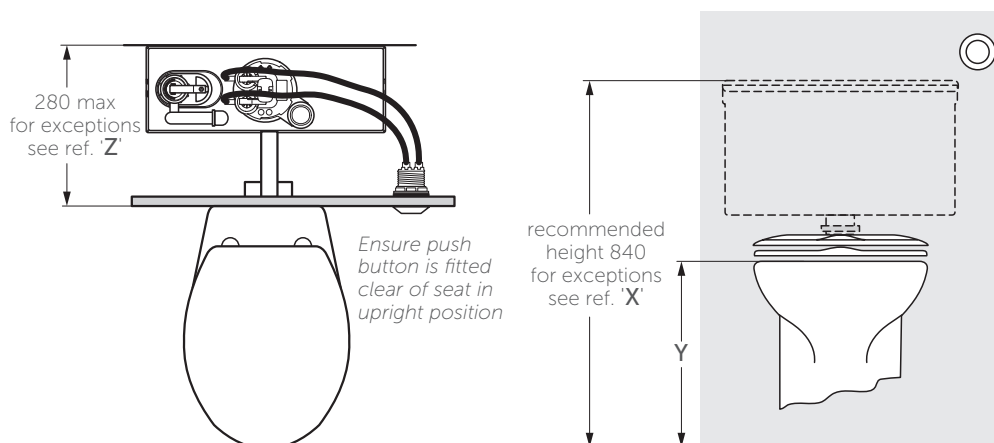
Sharp flush bend to be used with cisterns height 'X' set at 810 and distance from back of bowl to back of cistern 'Z' set at 280 (max) unless otherwise stated.

For Wall Mounted closets, dimension 'Y' can vary but the relationship between dimension 'X' and 'Y' MUST be maintained.

Pneumatic / 6 L / BTW WCs		flush bend	X	Z
U8142	Chiani	sharp	810	280
E7916	Concept	sharp	810	280
E0509	Concept Aquablade	sharp	810	280
E1432	Concept Air	sharp	810	280
E6088	Concept Freedom R.Ht	sharp	870	320
E1208	Concept Space	sharp	810	280
S0439	Contour 21+	swept	820	250
S0440	Contour 21+ R.Ht	swept	870	250
S0437	Contour 21+ 700 R.Ht	sharp	900	250
S0438	Contour 21+ 750 R.Ht	sharp	900	250
S3047	Contour 21 Schools 355mm	swept	850	250
S3046	Contour 21 Schools 305mm	swept	780	250
S3125	Contour 21 Splash Schoos 355mm	sharp	780	280
S3122	Contour 21 Splash Schools 305mm	sharp	780	280
S0781	Edit D	swept	810	260
S0818	Edit L	sharp	810	280
S0793	Edit R	sharp	810	280
U8565	Fusaro	sharp	810	280
U8562	Isarca	sharp	810	280
U8511	Mavone	sharp	810	280
S3442	Perth 2	sharp	810	320
S3095	Profile 21	swept	810	280
E8974	Sandringham 21	swept	810	260
U8504	Santorini	sharp	810	280
T2827	Studio Echo	swept	810	280
T3279	Tempo	sharp	810	280
T3535	Tesi	sharp	810	280
U8362	Turano	swept	810	270
U8368	Vara	sharp	810	320
E0001	White	sharp	810	320

Pneumatic / 6 L / WM WCs		flush bend	X	Y	Z
U8143	Chiani	sharp	810	400	290
E7850	Concept	sharp	810	400	280
E0473	Concept Aquablade	sharp	810	410	280
E0796	Concept Air	sharp	810	410	280
E8197	Concept Freedom 750	sharp	870	460	260
E6090	Concept Freedom Std.Prj	sharp	870	460	250
E8025	Concept Space Compact	sharp	810	400	290
S0443	Contour 21+	swept	900	450	250
S3077	Contour 21+ 700	construct	900	450	250
S3078	Contour 21+ 750	construct	900	450	250
S3127	Contour 21 Splash 355mm	sharp	780	355	280
U8564	Fusaro	sharp	810	400	310
S0782	Edit D	sharp	810	410	280
S0819	Edit L	sharp	810	410	280
S0794	Edit R	sharp	810	410	280
U8548	Isarca	sharp	810	410	280
U8509	Mavone	sharp	810	400	290
V3910	Sandringham 21	swept	810	400	250
U8505	Santorini	sharp	810	410	280
E1585	Studio Echo	sharp	810	410	280
T3288	Tempo Short Prj	sharp	810	400	250
T3275	Tempo Std.Prj	sharp	815	400	250
T3545	Tesi	sharp	810	400	290
U8361	Turano	sharp	810	410	280
U8367	Vara	sharp	810	410	300
E0005	White	sharp	810	400	250

PUSH BUTTON OPERATED 4.5 LITRE SINGLE FLUSH



NOTE: For WM closets 840 recommended height from floor to top of cistern is with pan front rim at 400mm. See table for excetions.

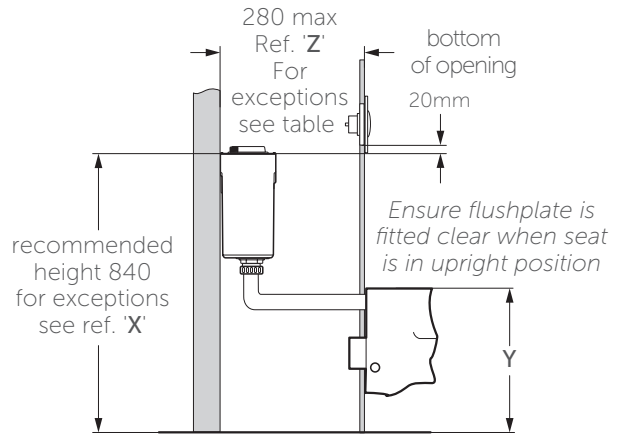
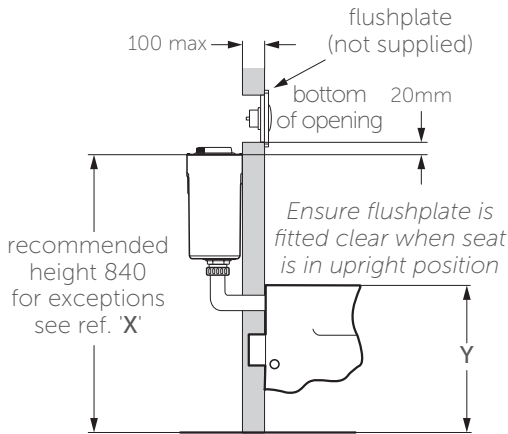
Sharp flush bend to be used with cisterns height 'X' set at 840 and distance from back of bowl to back of cistern 'Z' set at 280 (max) unless otherwise stated.

For Wall Mounted closets, dimension 'Y' can vary but the relationship between dimension 'X' and 'Y' MUST be maintained.

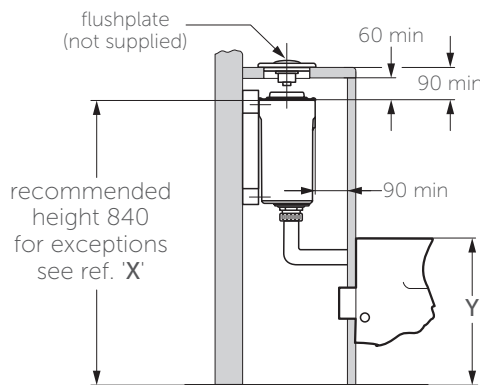
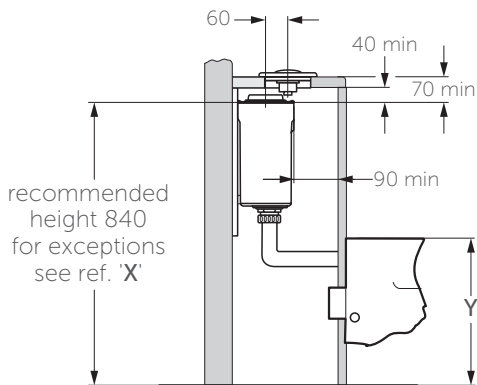
All dimensions shown are in millimetres. Dimensions shown may vary within permitted tolerances.

FLUSH PLATE OPERATED 4/2.6 LITRE AND 4.5/3 LITRE DUAL FLUSH

• CISTERN MOUNTING FOR WALL OPERATION



• CISTERN MOUNTING FOR TOP OPERATION



Note: For WM closets 840 recommended height from floor to top of cistern is with pan front rim at 400mm. All dimensions shown in millimetres. Dimensions are approx. and may vary within permitted tolerances.

Sharp flush bend to be used with cisterns height 'X' set at 840 and distance from back of bowl to back of cistern 'Z' set at 280 (max) unless otherwise stated.

For Wall Mounted closets, dimension 'Y' can vary but the relationship between dimension 'X' and 'Y' **MUST** be maintained.

Pneumatic / 4 & 4.5 L / BTW WCs		flush bend	X	Z
E7916	Concept	sharp	840	280
E0509	Concept Aquablade	sharp	840	280
E1432	Concept Air	sharp	840	280
E6088	Concept Freedom R.Ht *	sharp	900	320
S0439	Contour 21+	swept	850	250
S0440	Contour 21+ R.Ht	swept	900	250
S0437	Contour 21+ 700 R.Ht	sharp	900	250
S0438	Contour 21+ 750 R.Ht	sharp	900	250
S3047	Contour 21 Schools 355mm	swept	850	250
S3046	Contour 21 Schools 305mm	swept	780	250
S3125	Contour 21 Splash Schoos 355mm *	sharp	800	280
S3122	Contour 21 Splash Schools 305mm	sharp	780	280
S0781	Edit D	swept	840	280
S0818	Edit L	sharp	840	280
S0793	Edit R	sharp	840	280
U8565	Fusaro	sharp	840	280
U8562	Isarca	sharp	840	280
U8511	Mavone	sharp	840	280
S3095	Profile 21	swept	840	280
E8974	Sandringham 21	swept	840	260
U8504	Santorini	sharp	840	280
T2827	Studio Echo	swept	840	280
T3279	Tempo	sharp	840	280
T3535	Tesi	sharp	840	280
U8362	Turano *	swept	840	270
U8368	Vara	sharp	840	320
E0001	White *	sharp	840	320

Pneumatic / 4 & 4.5 L / WM WCs		flush bend	X	Y	Z
U8143	Chiani	sharp	840	400	290
E7850	Concept	sharp	840	400	280
E0473	Concept Aquablade	sharp	840	400	280
E0796	Concept Air	sharp	840	410	280
E8197	Concept Freedom 750	sharp	900	460	260
E6090	Concept Freedom Std.Prj	construct	900	460	250
E8025	Concept Space Compact	sharp	840	400	290
S0443	Contour 21+	swept	900	450	250
S3077	Contour 21+ 700	construct	900	450	250
S3078	Contour 21+ 750	construct	900	450	250
S3127	Contour 21 Splash 355mm	sharp	800	355	280
S0782	Edit D	sharp	840	410	280
S0819	Edit L	sharp	840	410	280
S0794	Edit R	sharp	840	400	280
U8564	Fusaro *	sharp	840	400	310
U8548	Isarca	sharp	840	410	280
U8509	Mavone	sharp	840	400	290
V3910	Sandringham 21 (4.5 single flush)	swept	910	400	250
V3910	Sandringham 21 (4/2.6 and 4.5/3 dual flush)	swept	970	400	250
U8505	Santorini	sharp	840	400	280
E1585	Studio Echo	sharp	840	410	280
T3545	Tesi	sharp	840	400	290
U8361	Turano	sharp	840	410	280
U8367	Vara	sharp	840	410	300
E0005	White *	sharp	840	400	250

* 4.5/3 and 4.5 single flush only

CUSTOMER CARE HELPLINE

01482 496318

FAX LINE 01482 499611

email: customer care@idealstandard.com

EEM34500467

ver. 6.0/ 0222