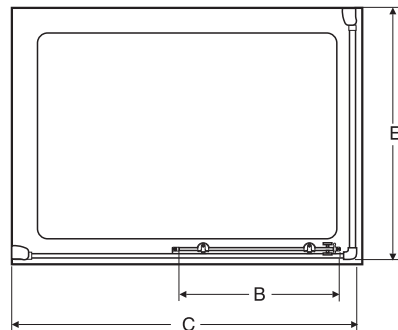
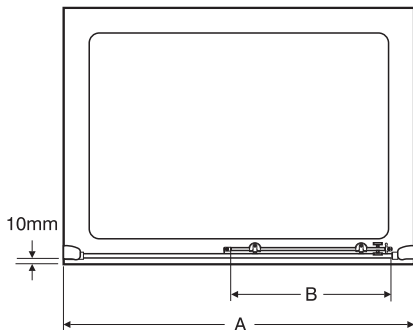
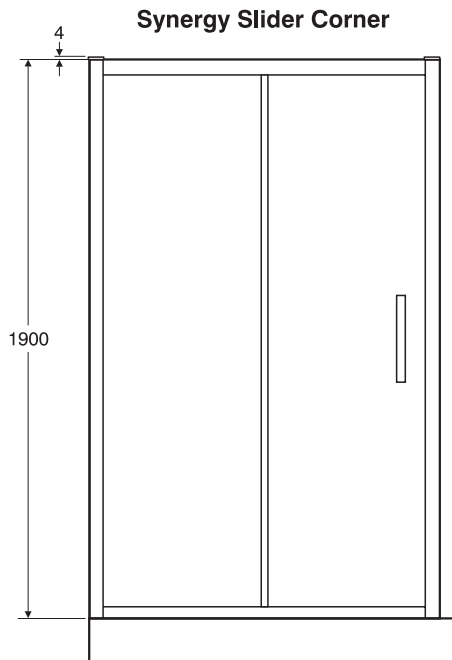
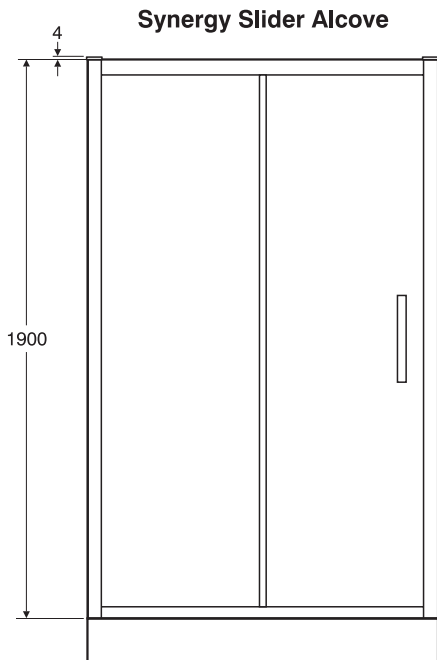


# SYNERGY SLIDER DOOR

## Installation Instructions

Please pass on to user

- **WARNING!**  
This product weighs in excess of 19kgs.
- Please read the instructions fully before commencing installation
- Check for transit damage and shortages.  
No claim for damage can be accepted after installation.
- Keep these instructions for reference.
- Handle product with care, avoiding knocks and shock loading to all sides and edges of the glass.



Side panel	Dim. E Width (mm)
700	664-689
760	724-749
800	764-789
900	864-889
1000	964-989

Slider enclosure	Dim. A Width (mm)	Dim. B Opening (mm)	Dim. C Width (mm)
1000	950-1000	382	952-1002
1200	1150-1200	435	1152-1202
1400	1350-1400	535	1352-1402
1700	1650-1700	685	1652-1702

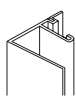

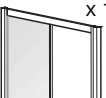
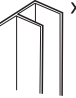
*For Alcove installation, use these instructions*




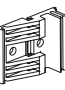
*For Corner installation, use Side Panel instructions in conjunction with these instructions*

# COMPONENTS LEGEND

Pack 1  
Frame


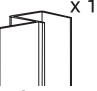








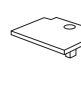

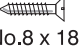
Ref	F1	F2	F3	F4
Frame Components	 x 2	 x 2	 x 1	 x 1

Ref	W1	W2	W3	W4
Wall Fixing Pack	 x 8 Wall Plug	 x 8 No.8 x 35 Pan Head	 x 16 No.8 x 8 Pan Head	 x 8

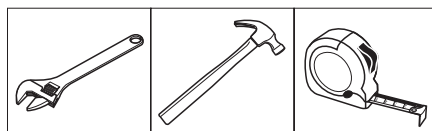
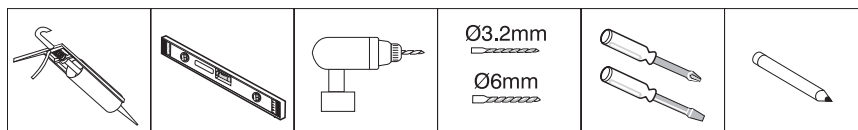
Pack 2  
Door



Ref	D1	D2	D3
Door Components		 x 1 Seal	

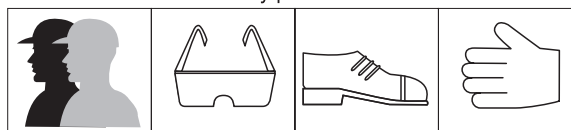
Ref	M1	M2	M3	M4	M5	M6	M7	M8
Moulding Pack	 x 2 RH0445	 x 2 RH0599	 x 2 XP0530A	 x 2	 x 1	 x 1	 Grease	 x 2 No.8 x 18 Csk Screw

## TOOLS REQUIRED

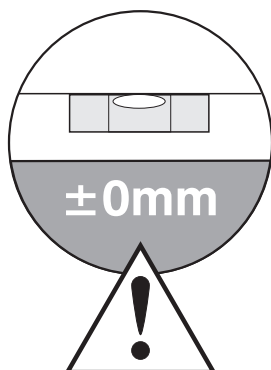


This product is heavy and may require two people to install

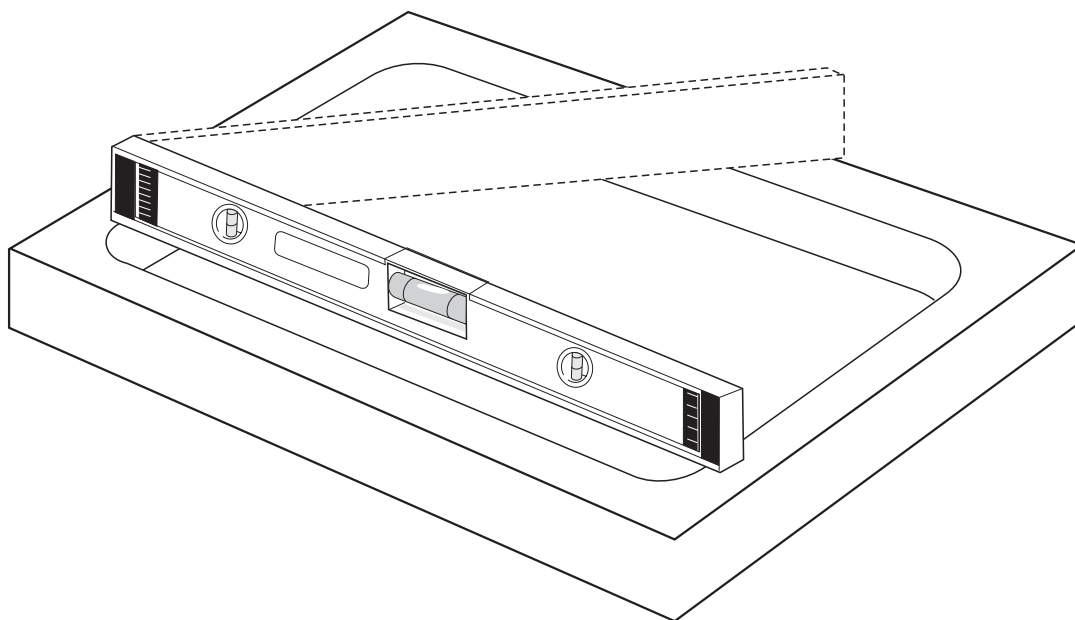
Safety protection should be worn



## LEVEL



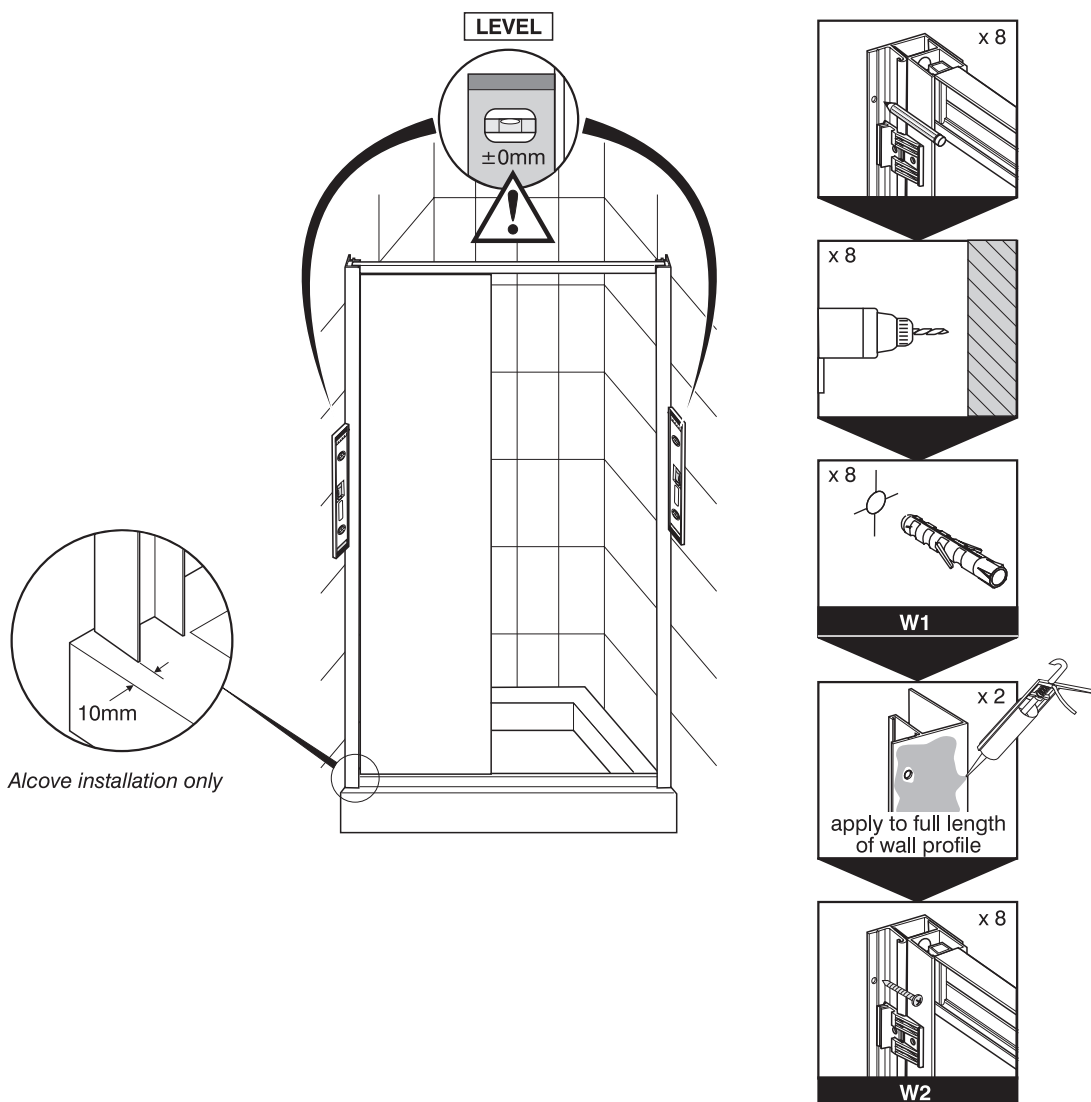
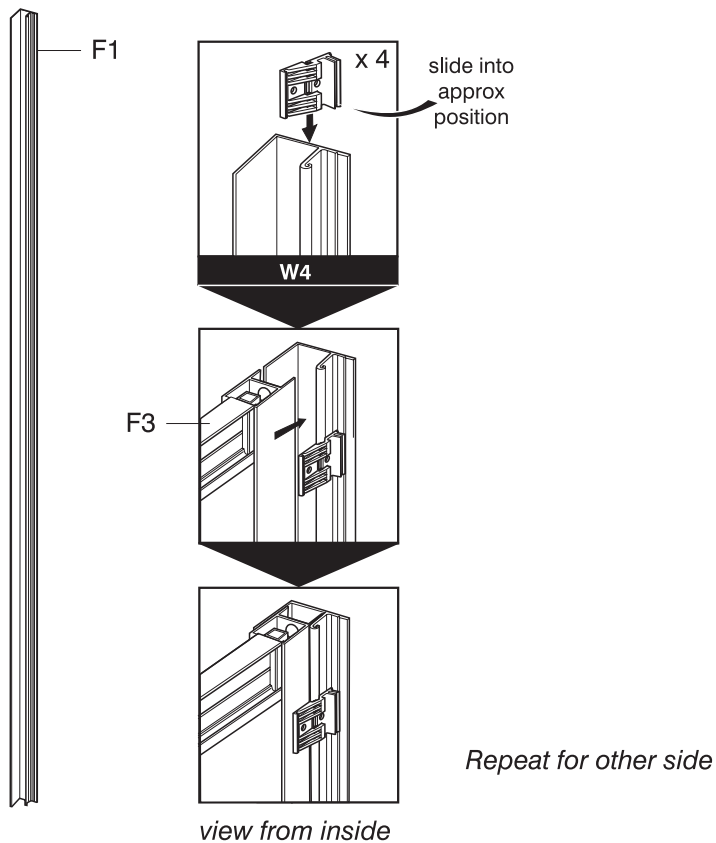
- Ensure tray is level and firm
- Tray **MUST** be sealed before enclosure installation begins
- It is recommended that shower enclosures are fitted onto a tiled wall surface

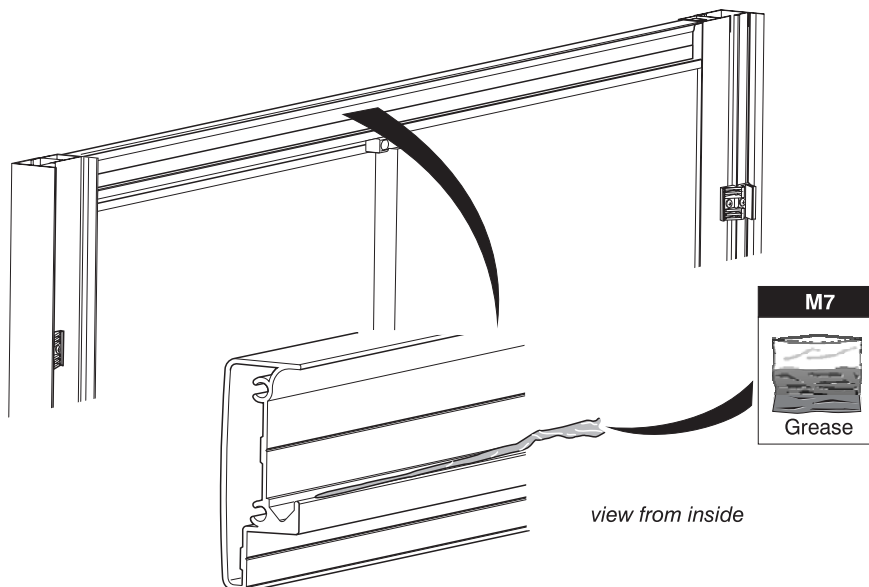
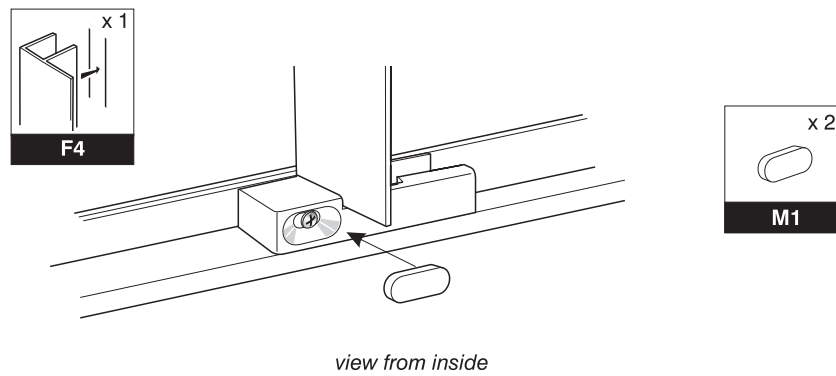
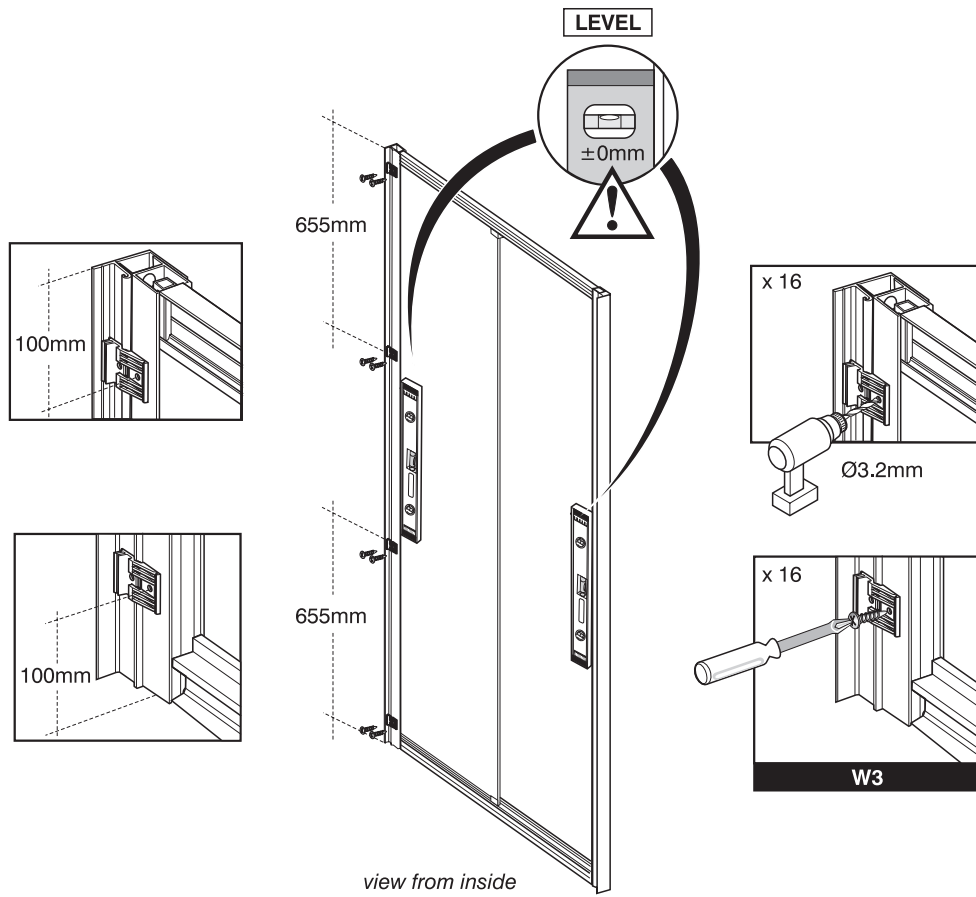


### NOTE:

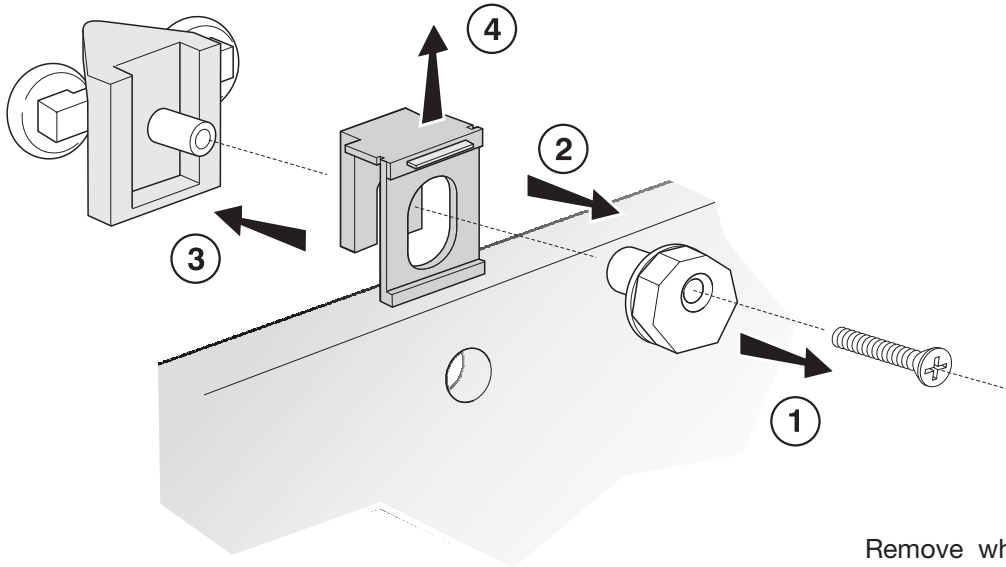
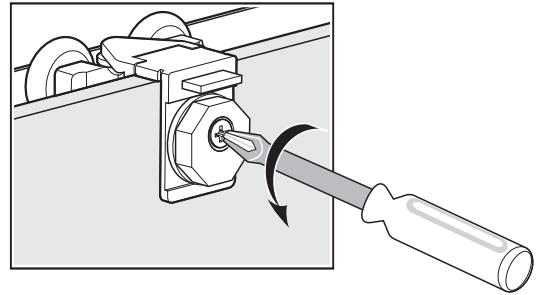
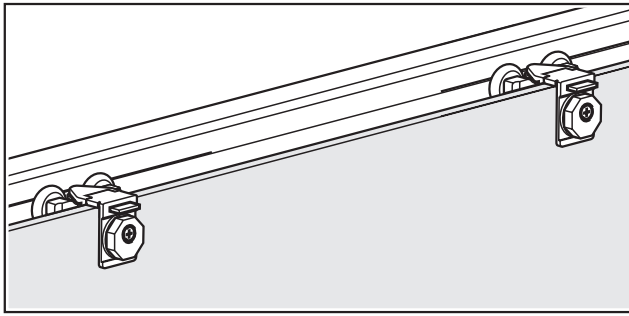
- Wall fixings supplied are for solid wall construction.  
Substitute suitable fixings as appropriate
- Door is not handed

# SYNERGY SLIDER DOOR

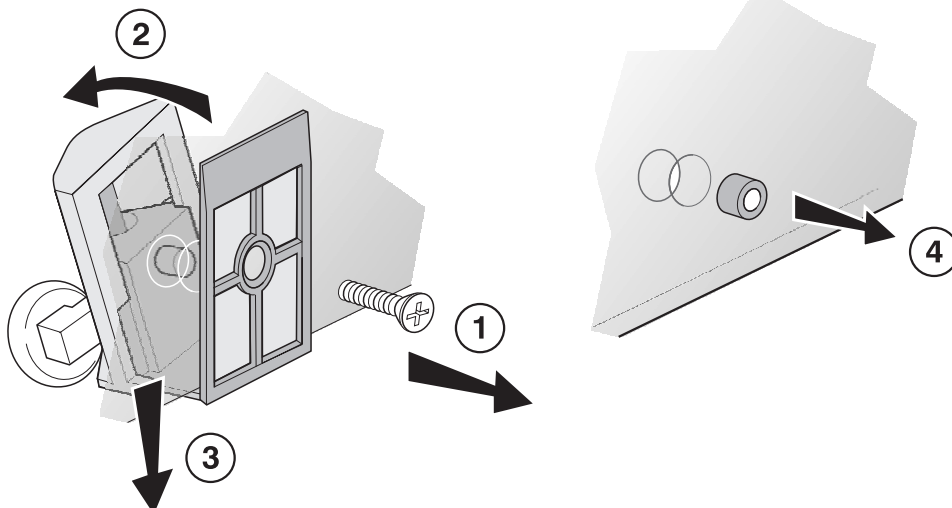
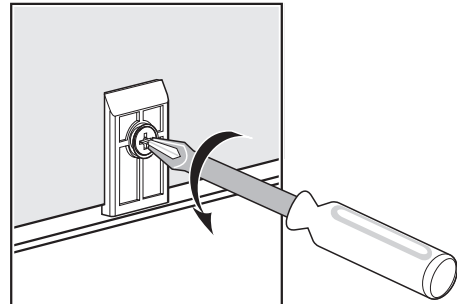
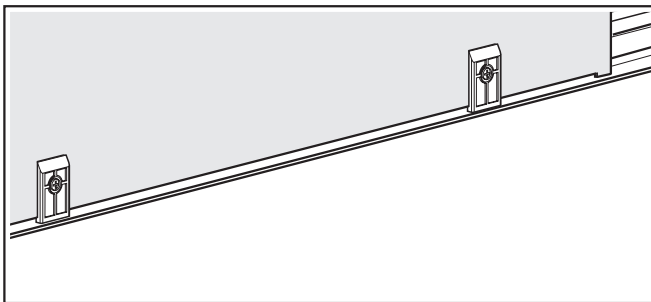


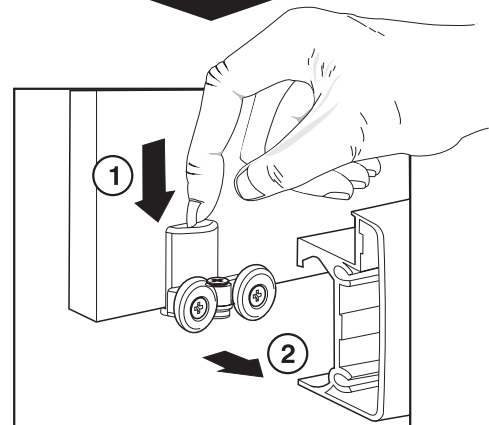
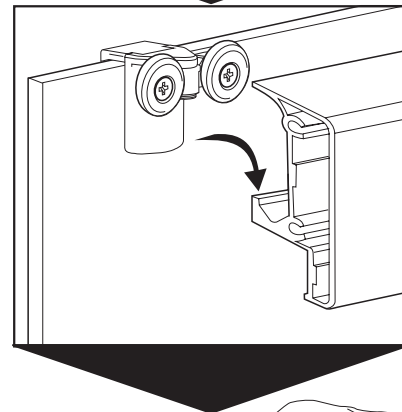
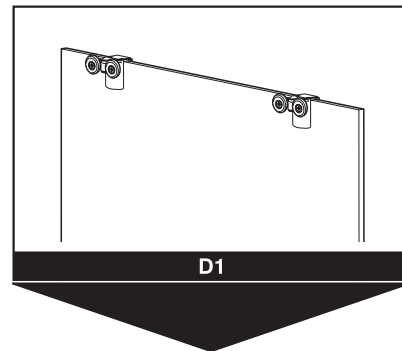
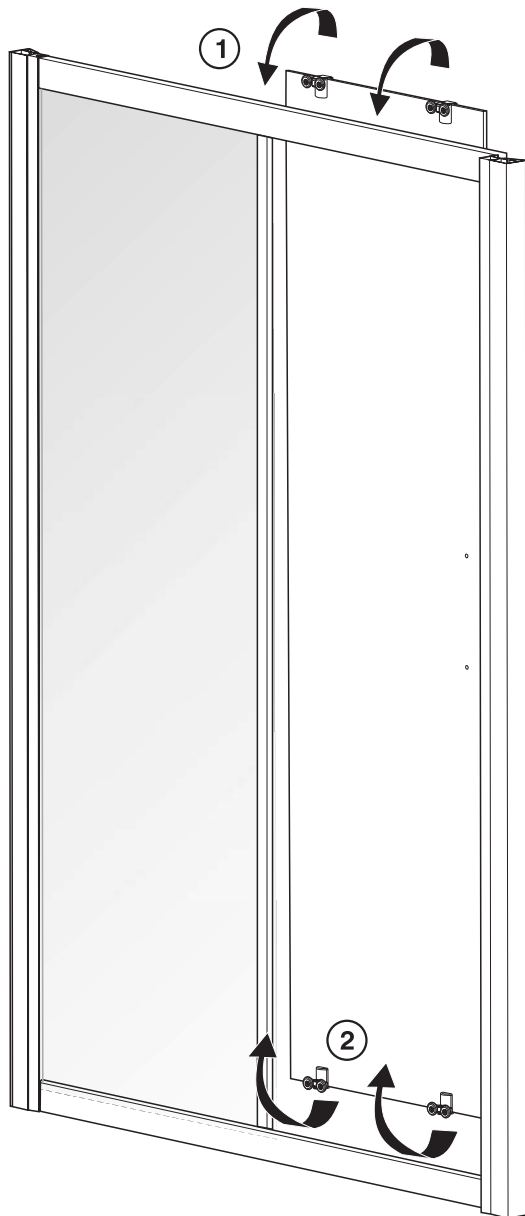


If the door needs to be the other hand, follow this page

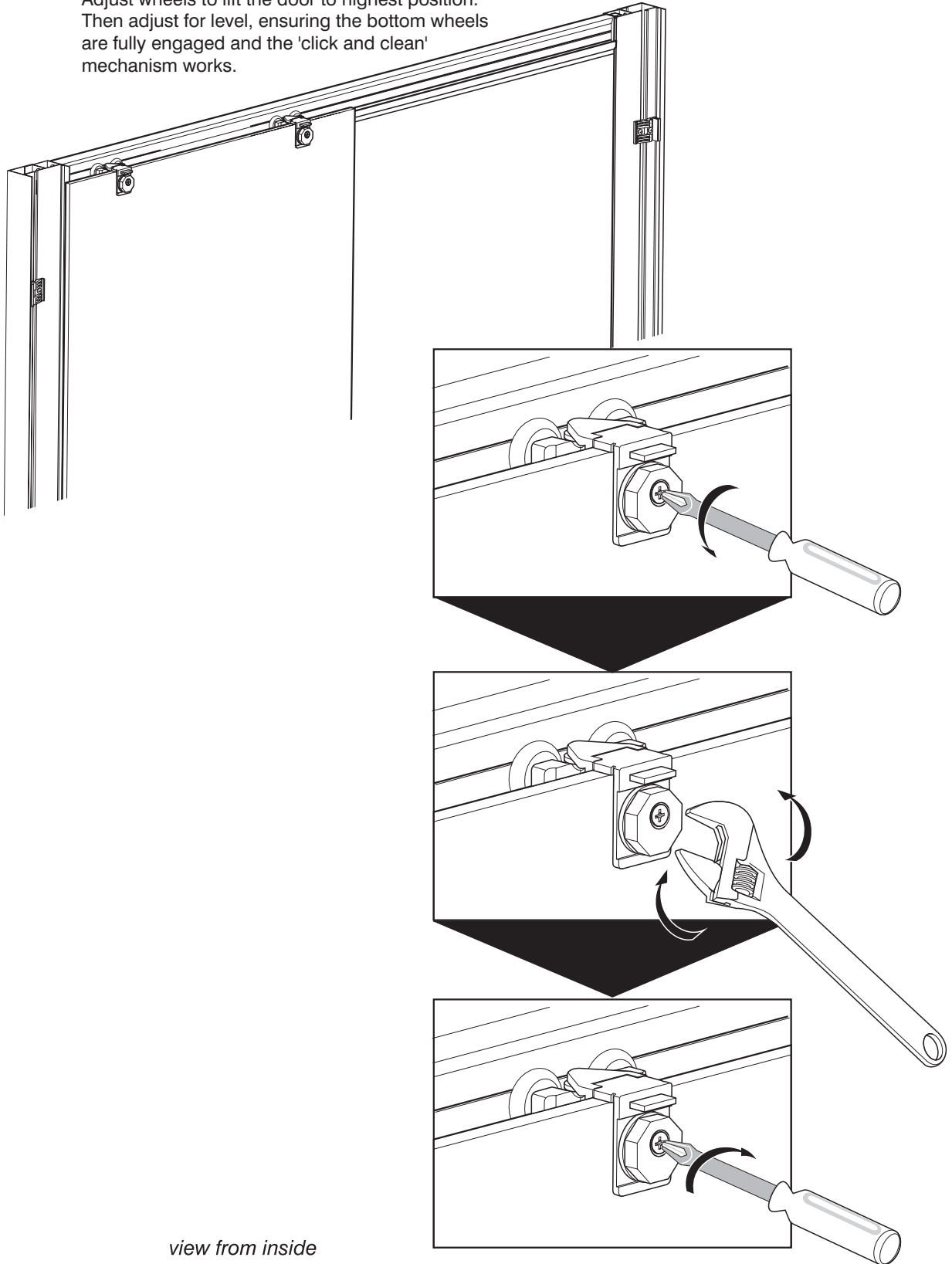


Remove wheel assemblies as shown then re-assemble at appropriate ends of glass



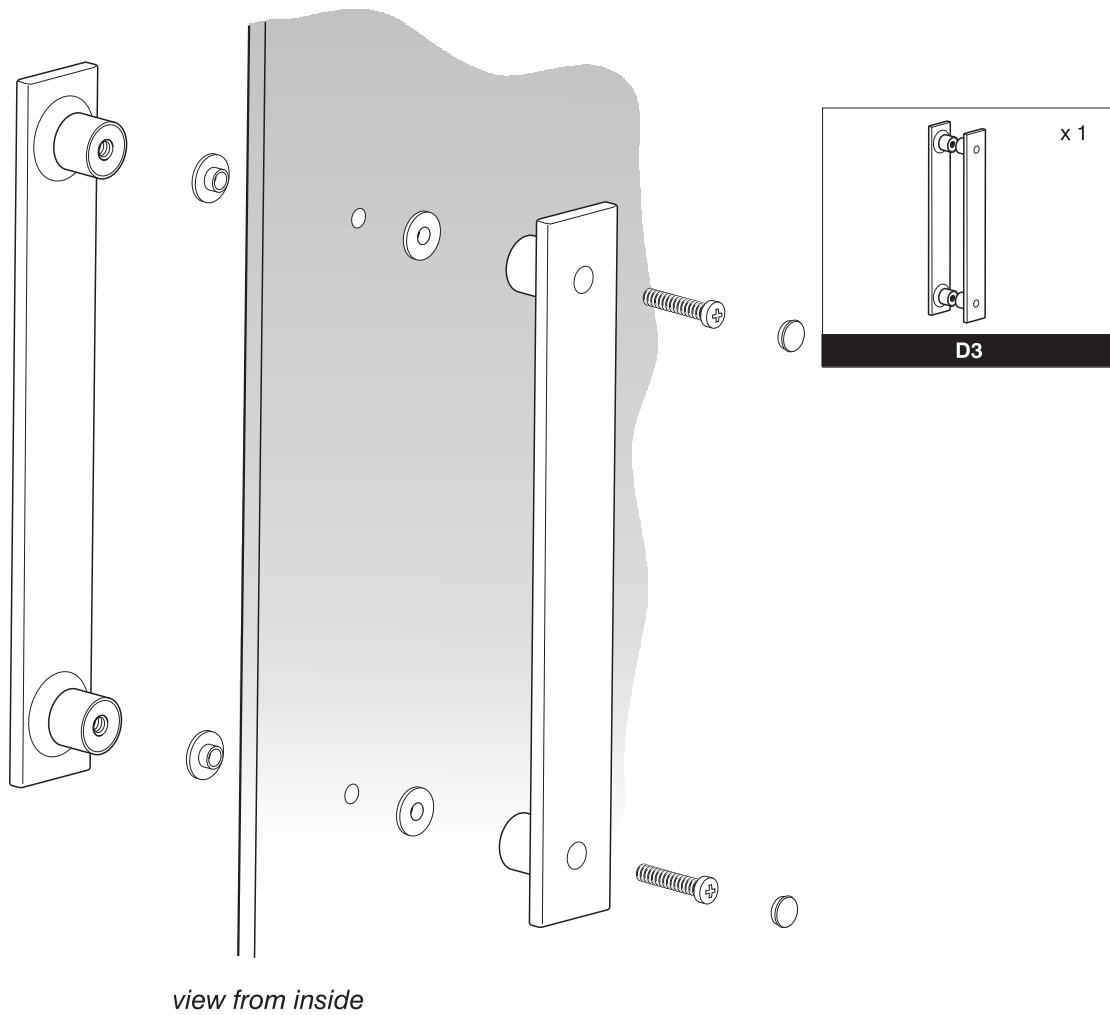
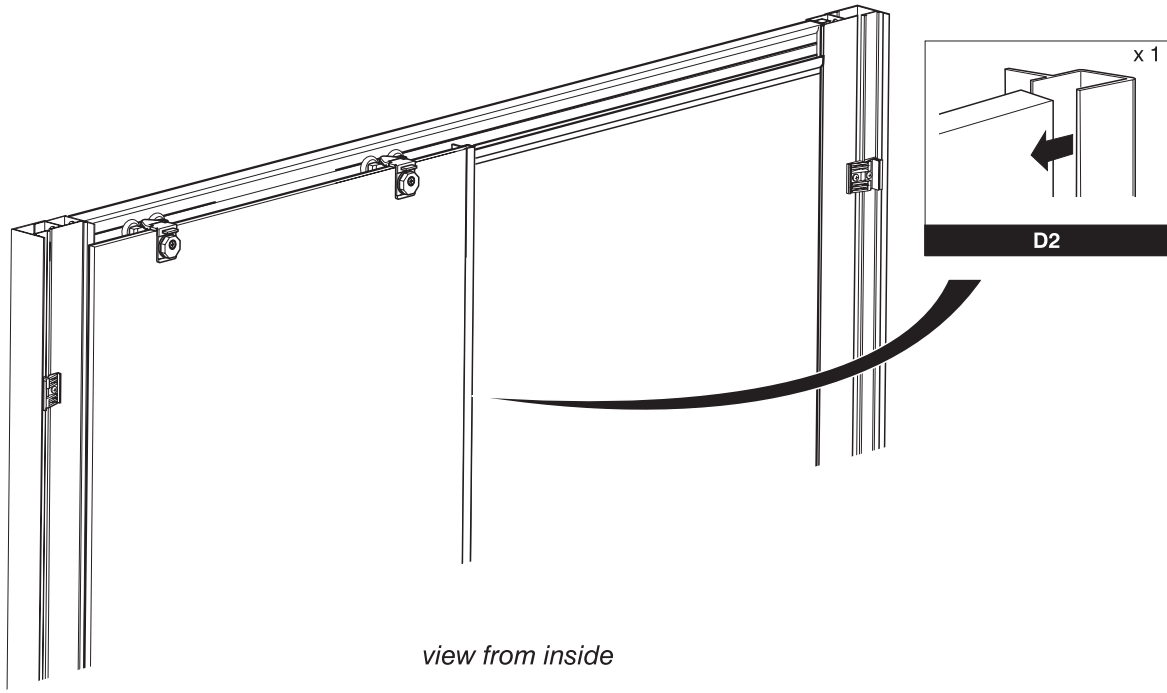


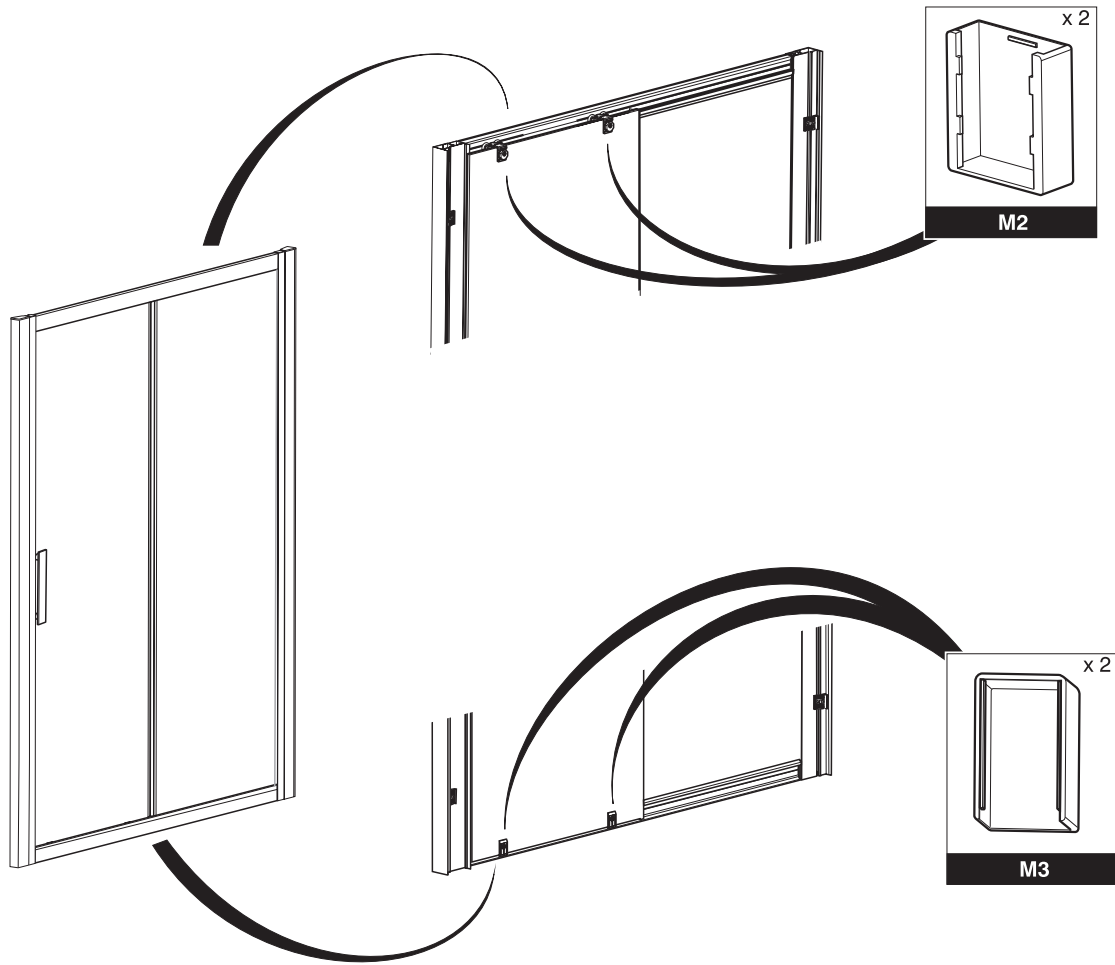
Adjust wheels to lift the door to highest position.  
Then adjust for level, ensuring the bottom wheels  
are fully engaged and the 'click and clean'  
mechanism works.



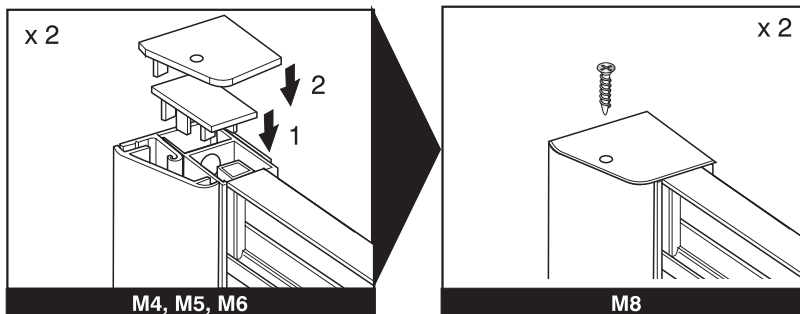
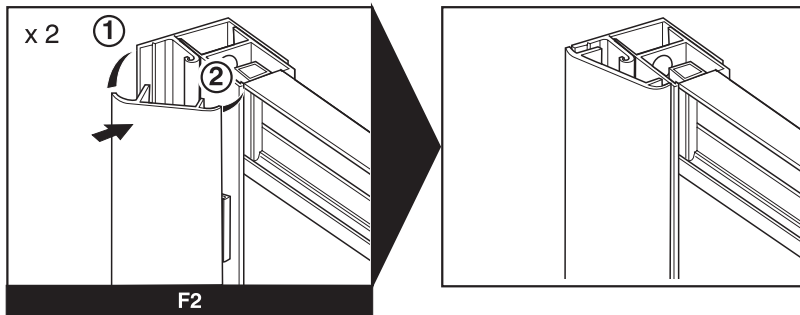
*view from inside*



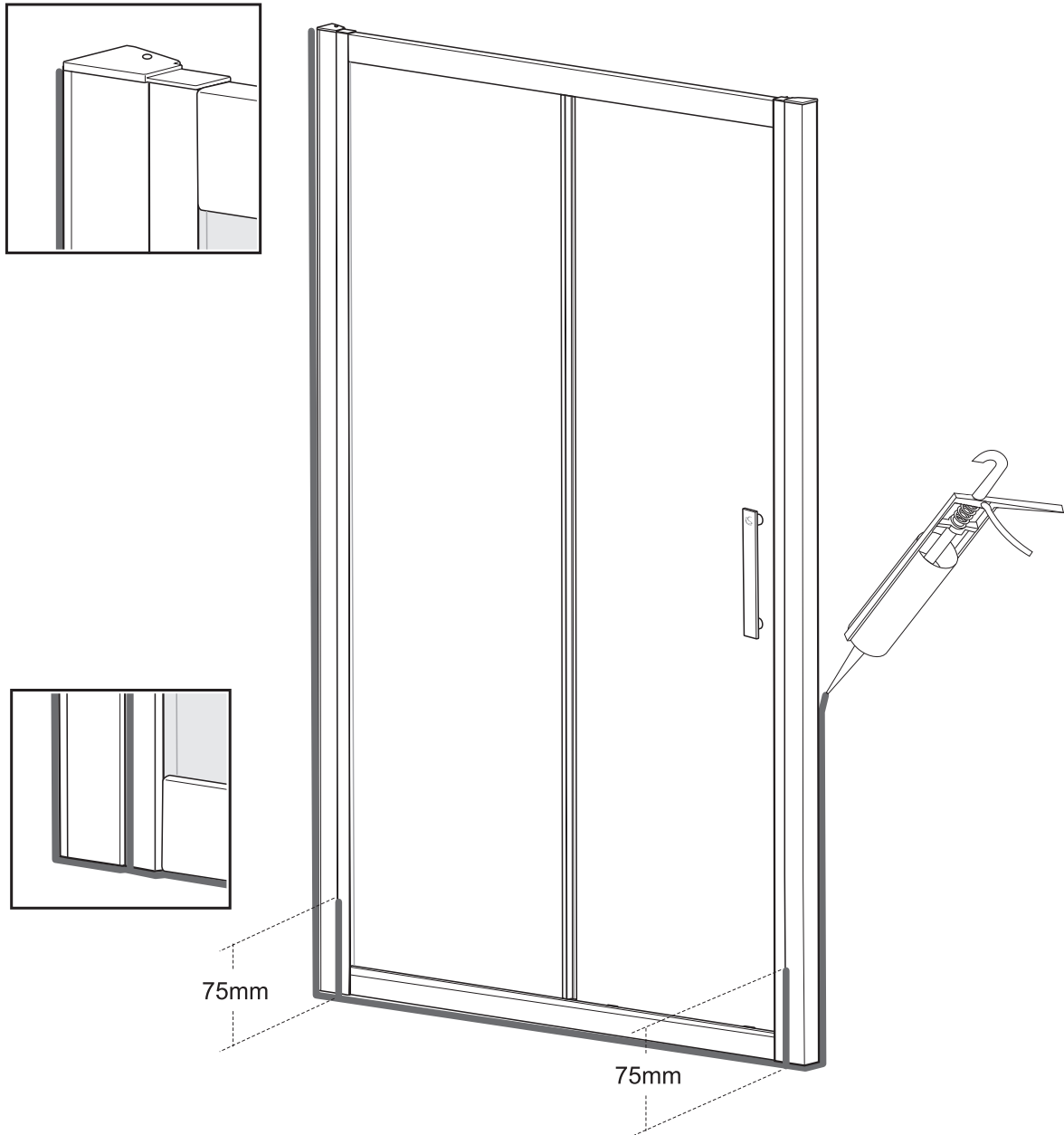




view from inside

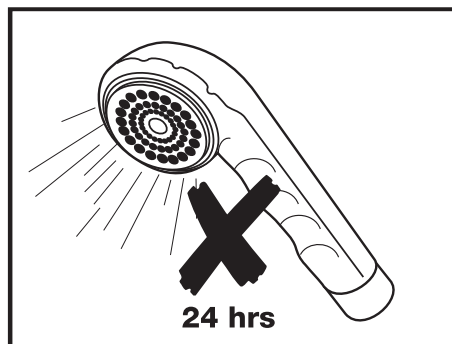


view from inside



**IMPORTANT!**

The shower enclosure must be sealed **ONLY** on the outside. **DO NOT SEAL** on the inside, should this process not be respected, the company will not assume the responsibility of any water leakage.



## AFTERCARE INSTRUCTIONS

This product has an 'Idealclean' coating on the glass, which makes the glass easier to clean.

*The following cleaning instructions need to be followed so as not to damage the coating.*

After use, your shower should be cleaned with soap and water. This is particularly important in hard water districts where insoluble lime salts may be deposited and allowed to build up.

Cleaners of a gritty or abrasive nature should not be used. Care should be taken to avoid contact with strong chemicals such as organic solvents and strippers.

Glass cleaners can be used but with caution, if in doubt, contact the manufacturer of the cleaner in question.

Please keep these instructions for aftercare and customer service details.



The Bathroom Works  
National Avenue  
Kingston upon Hull  
HU5 4HS  
England  
Telephone: (01482) 346461  
Telefax: (01482) 445886.

**CUSTOMER CARE HELPLINE**  
**0870 1296085**  
**CUSTOMER CARE FAX LINE 01482 499611**  
**email: [ukcustcare@IdealStandard.com](mailto:ukcustcare@IdealStandard.com)**

Ideal Standard pursues a policy of continuing improvement in design and performance of its products. The right is, therefore, reserved to vary specifications without notice.