



Fig. 2

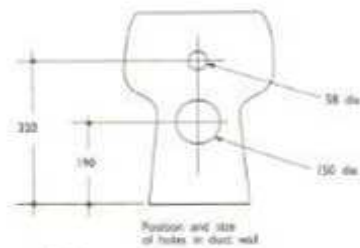


Fig. 3

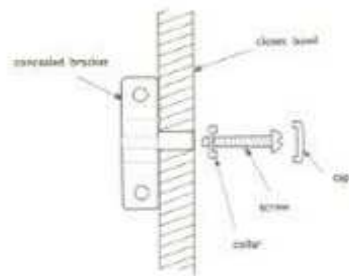


Fig. 4

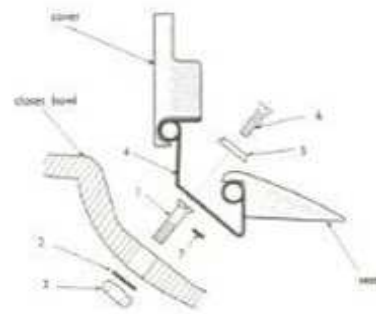


Fig. 5

9. The cistern is provided with fixing holes for screwing to duct wall or back wall. Fix cistern to the wall and couple cistern to closet bowl with flush bend.

10. The flushing lever supplied is suitable for a cistern mounted on a duct wall up to 28mm thick. For a cistern mounted on a duct wall over 28mm thick or mounted on a back wall a 405mm lever is available. Instructions for fixing flushing lever are provided with lever.

11. Make water, overflow and soil pipe connections and test.

Ensure water level in cistern is correct.

12. Fitting closet seat (Fig. 5)

It is recommended that the fitting of the closet seat and hinge assembly be the last operation in the bathroom. This will avoid the risk of scratching the seat when tiling etc. The threaded sleeve (1), spring washer (2) and hexagon nut (3) are supplied fitted to the closet bowl ready for mounting the seat. Attach hinge (4) to threaded sleeve (1) with cup washer (5) and countersink screw (6).

13. Adjustment of closet seat

(Fig. 5)

If a sideways adjustment of the seat is required, dismantle the seat hinge assembly and place one or more P.V.C. washers (7) between the hinge (4) and the threaded sleeve (1) on the right or left hand side as required.

Dual Flush

The cistern is supplied with the siphon suitable for normal full flush operation. It can be converted to dual flush by removing the plug which is fitted into the boss on top of the siphon bell. A dual flush cistern will release either a full or short flush according to the

needs of the user. A label is provided giving operating instructions for cisterns converted to dual flush and must be fixed on the front of the cistern by the installer.

Ideal-Standard pursues a policy of continuing improvement in design and performance of its products. The right is, therefore, reserved to vary specifications without notice. Ideal-Standard and Access are trade marks of Ideal-Standard Limited.