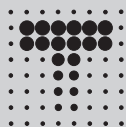


# MOONSHADOW SHOWER KITS

---



- L6803AA Moonshadow TC 3 Function
- L7062AA Moonshadow BC Single Function
- L7063AA Moonshadow BC 3 Function
- L6807AA Moonshadow FR Fixed Riser Single Fn
- L6808AA Moonshadow FRC Fixed Riser Single Fn
- L7064AA Moonshadow ILV 3 Function
- L7060AA Moonshadow SC Single Function
- L7061AA Moonshadow SC 3 Function



**TREVI**

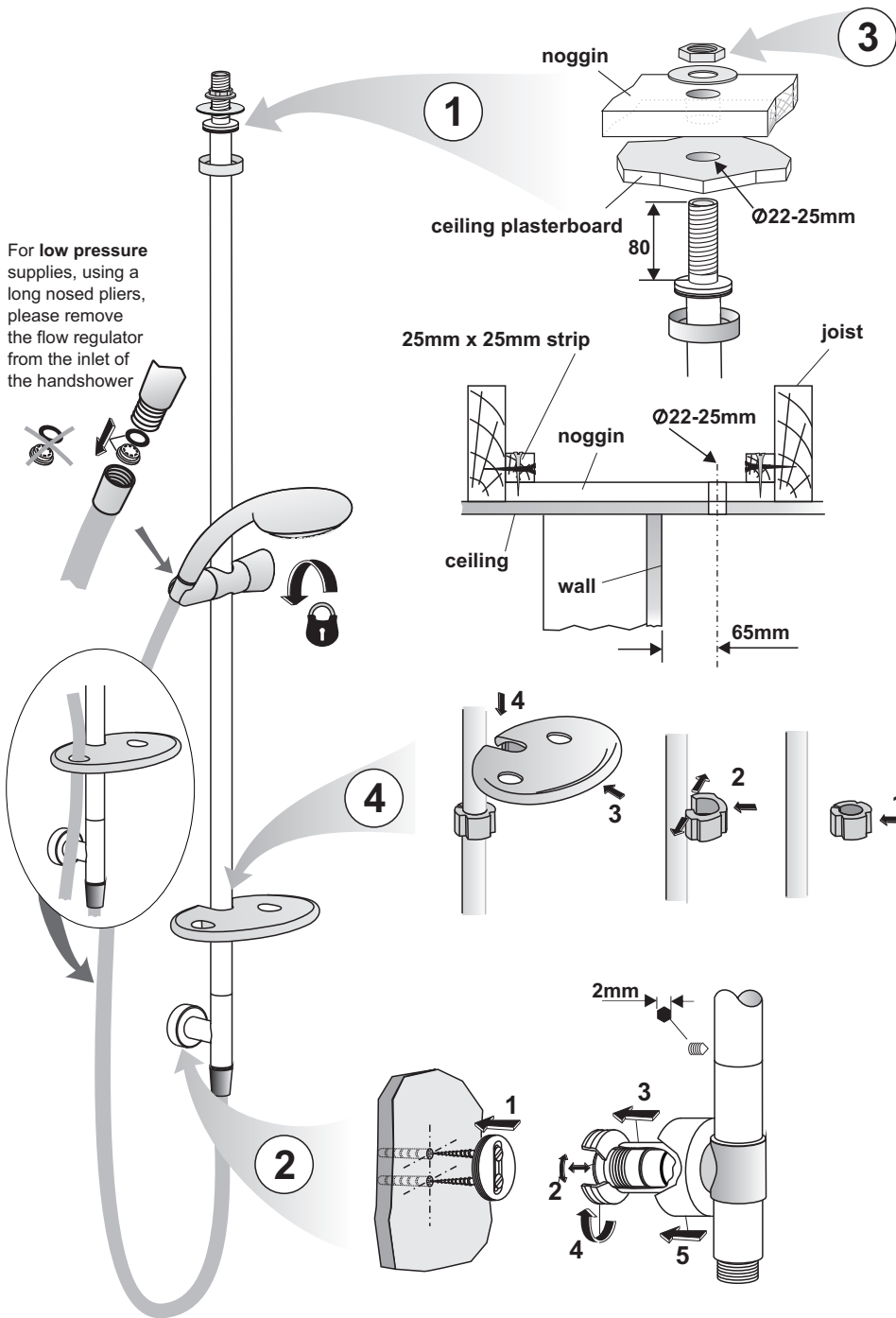
by Ideal-Standard

---

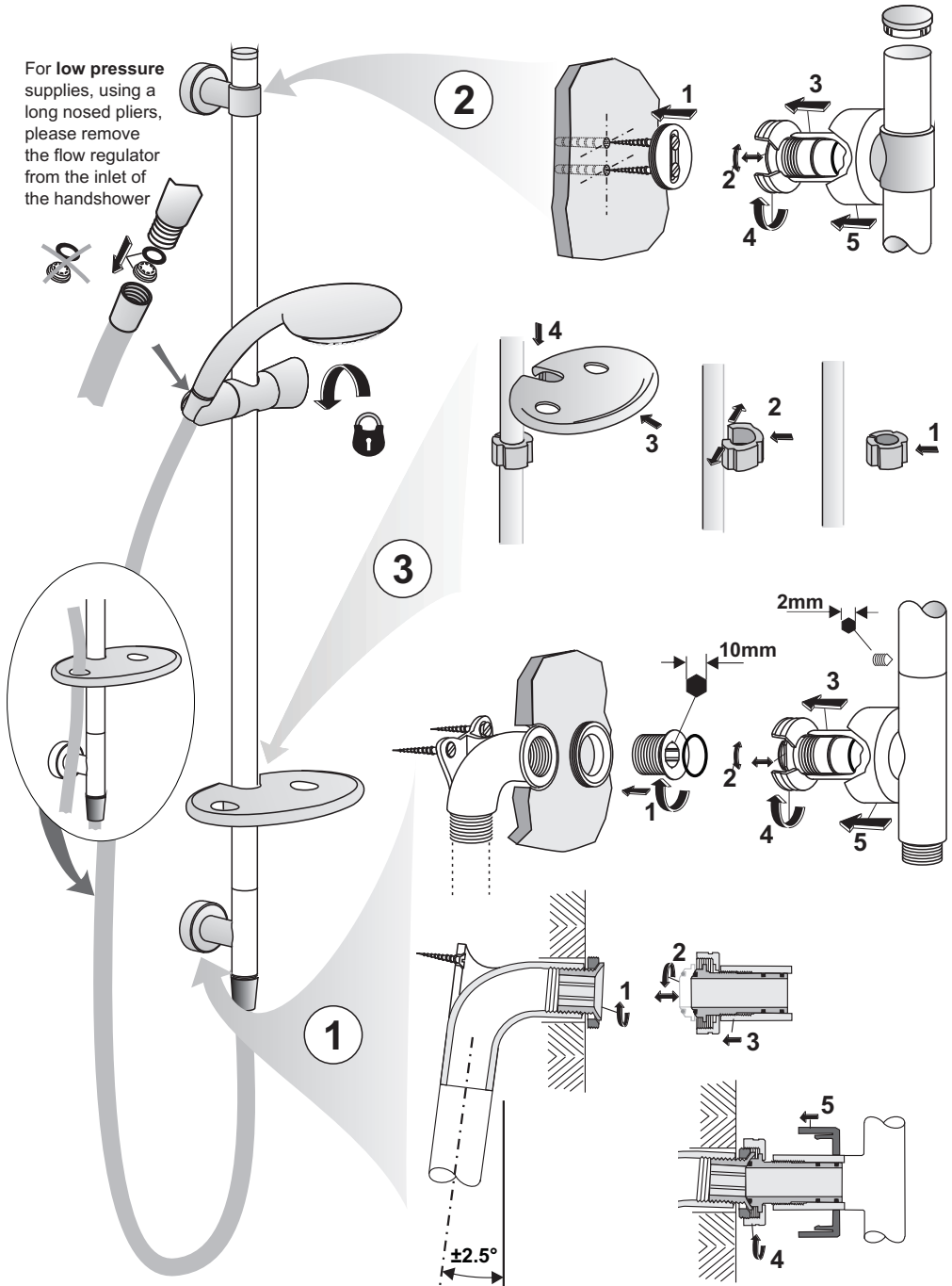
## **INSTALLER:**

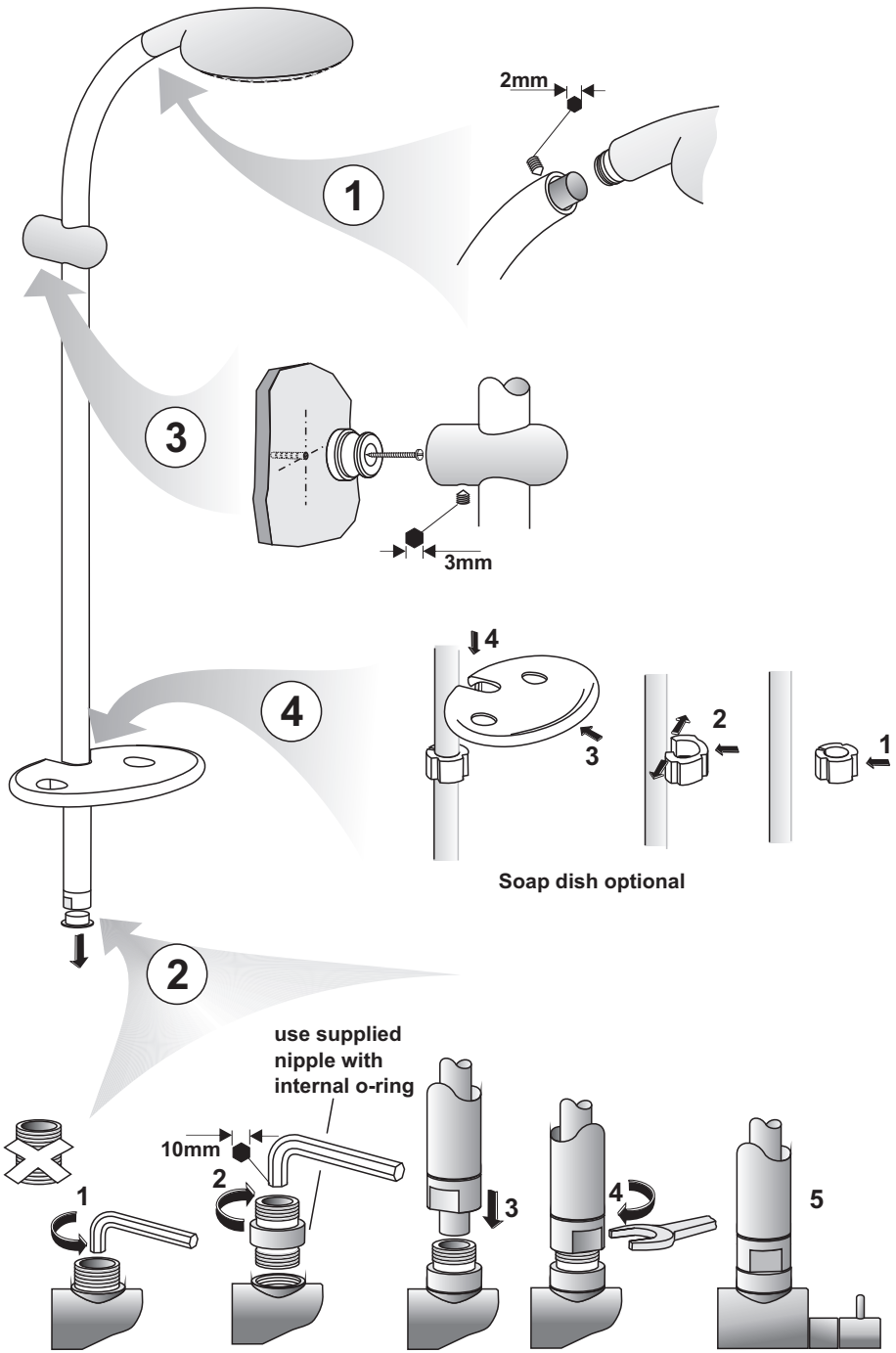
***After installation please pass this instruction booklet to user***

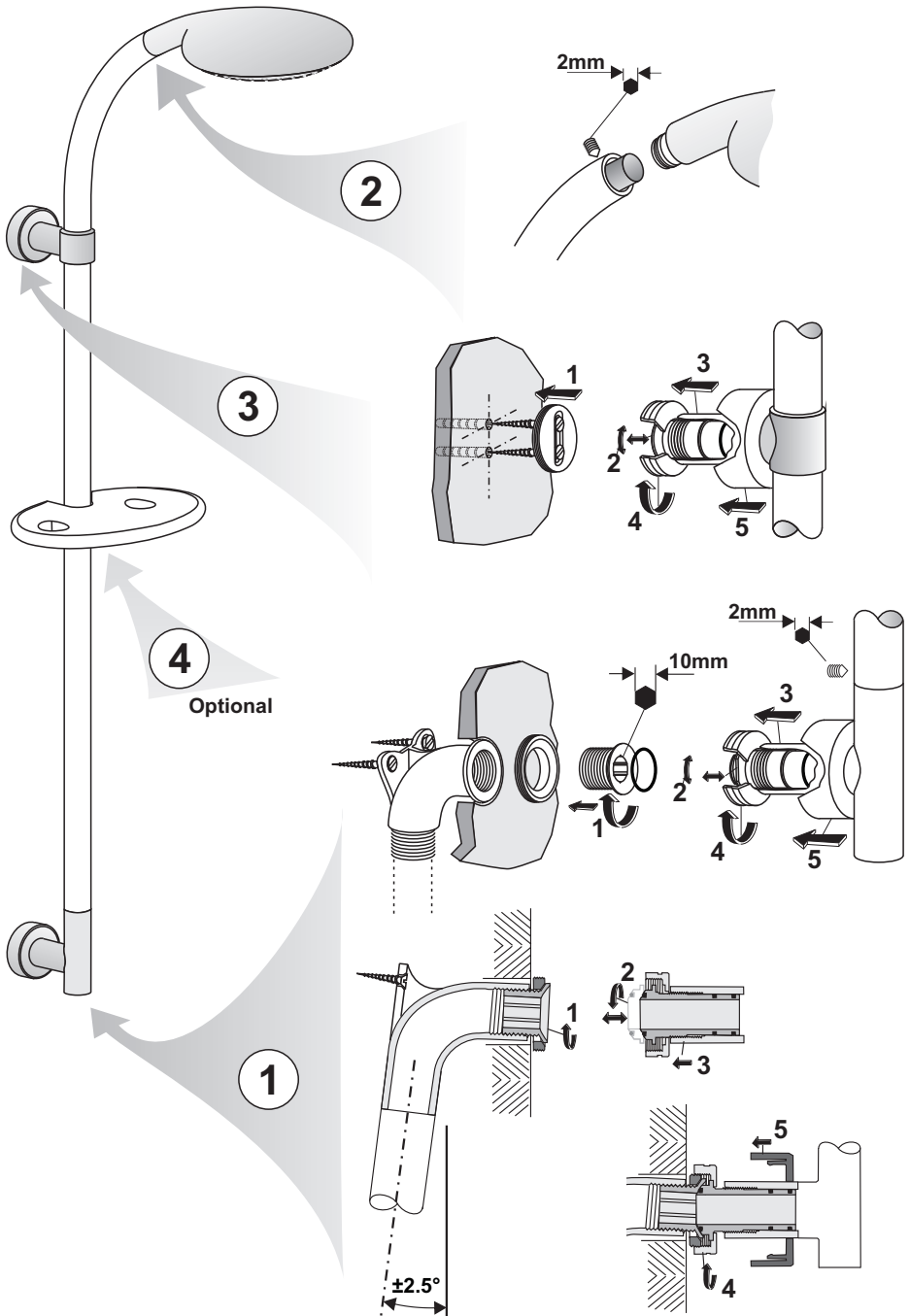
For low pressure supplies, using a long nosed pliers, please remove the flow regulator from the inlet of the handshower

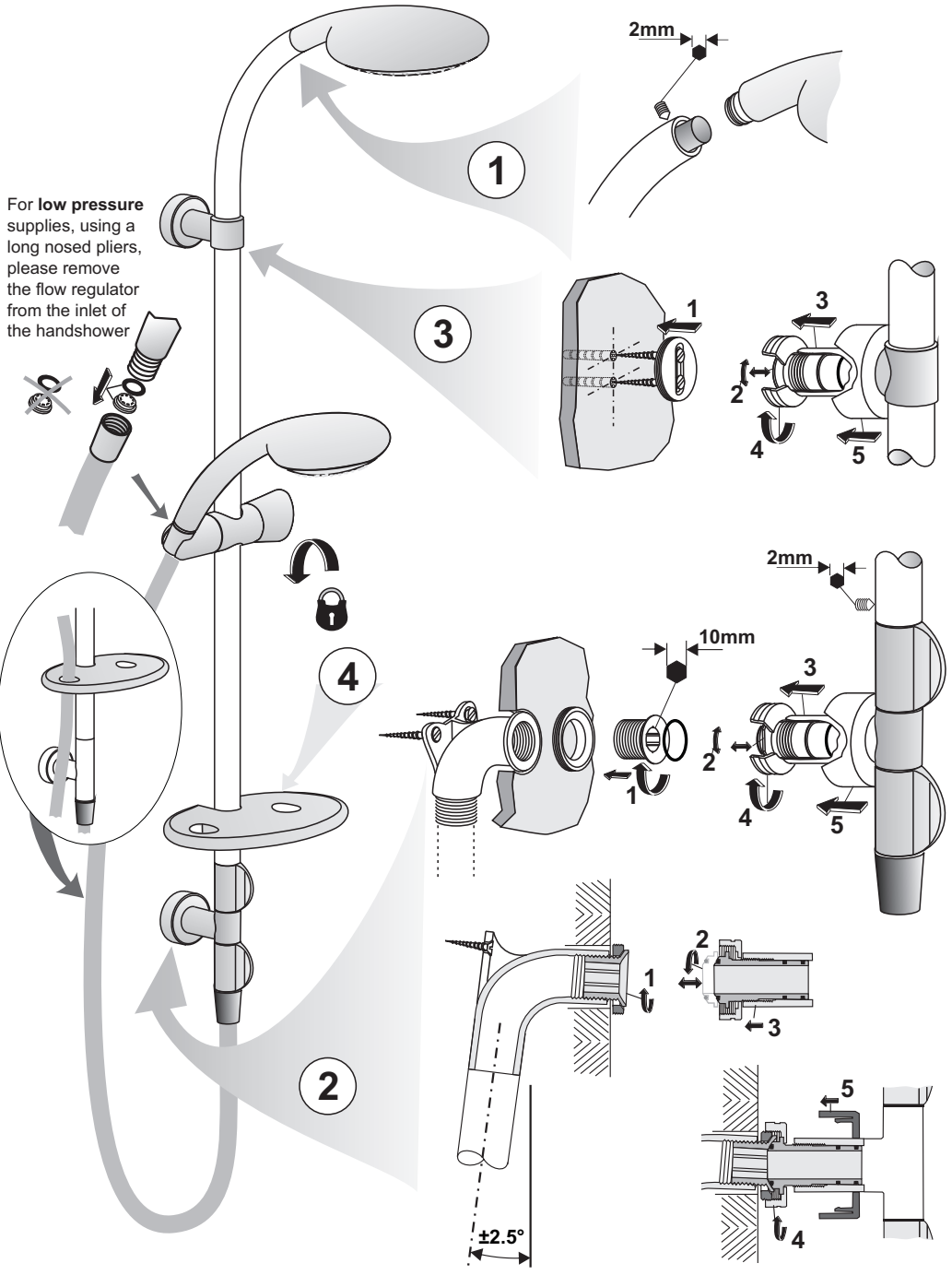


For low pressure supplies, using a long nosed pliers, please remove the flow regulator from the inlet of the handshower

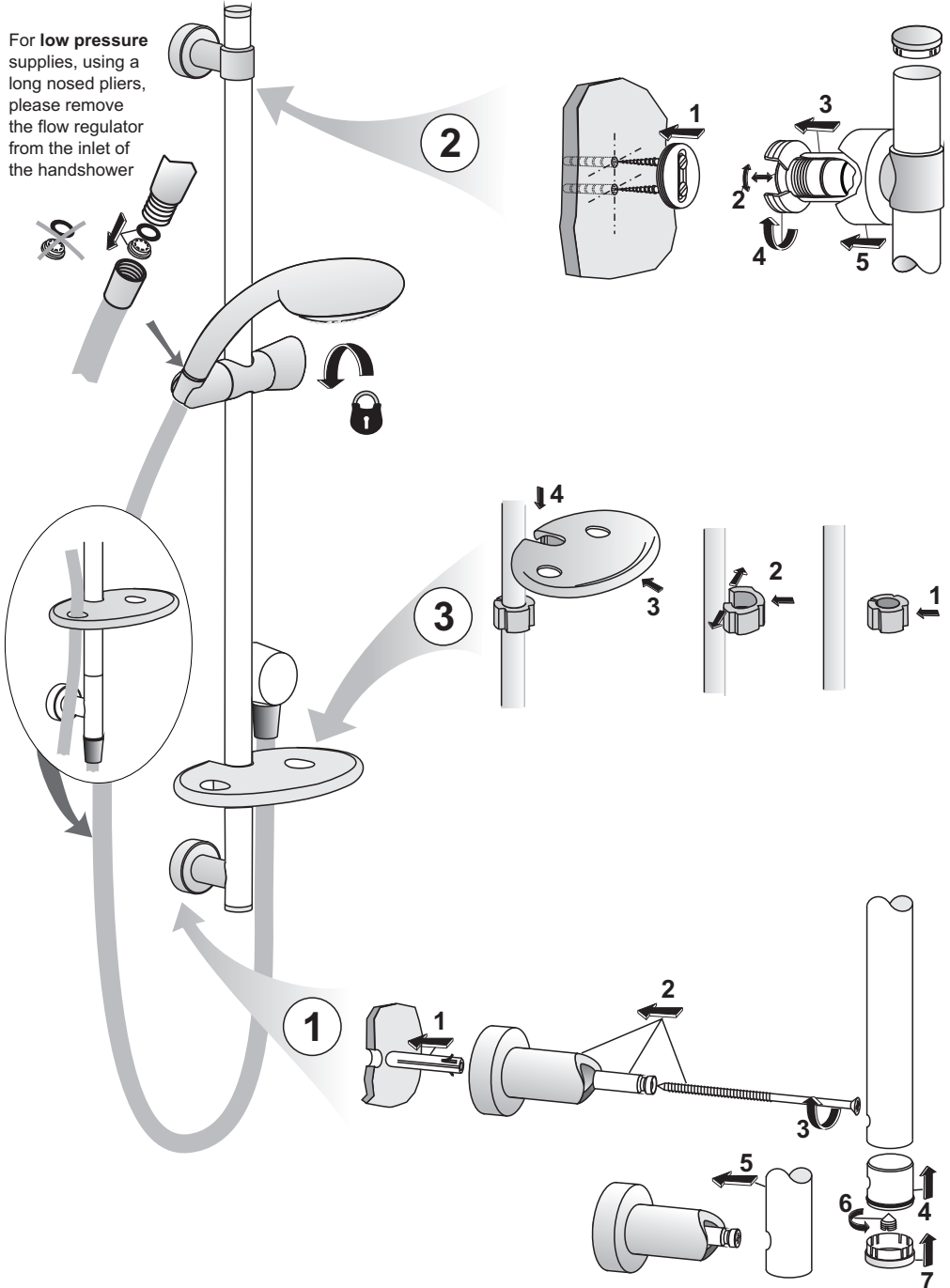


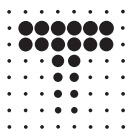
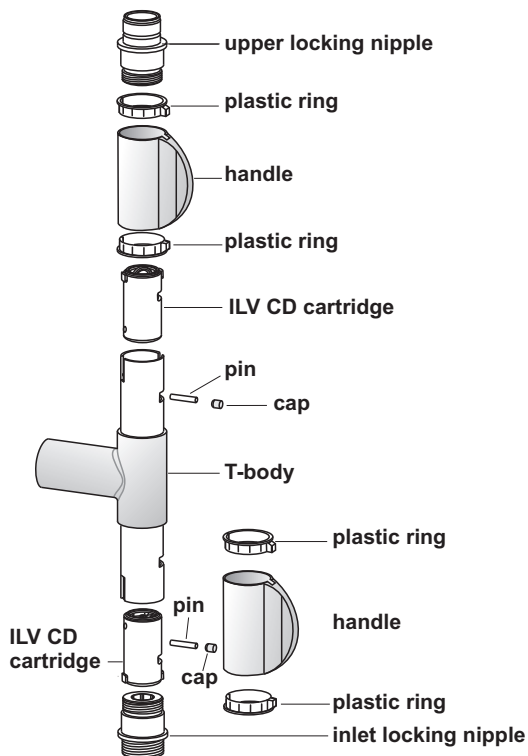






For low pressure supplies, using a long nosed pliers, please remove the flow regulator from the inlet of the handshower





# TREVI

by Ideal-Standard

Trevi Showers, The Bathroom Works  
National Avenue, Kingston-upon-Hull  
HU5 4HS England

**CUSTOMER CARE HELP LINE**

**0870 129 6085**

**CUSTOMER CARE FAX**

**01482 499611**

**E-MAIL**

**[UKcustcare@idealstandard.com](mailto:UKcustcare@idealstandard.com)**

Trevi Showers pursues a policy of continuing improvement in design and performance of its products.

The right is therefore reserved to vary specification without notice.

Trevi Showers is a division of Ideal Standard (UK) Ltd

T115 08/08

E96547800



# AMENDMENTS

**Sep 2006 Change to page 4 - Moonshadow FR**

Illustrating the need to replace the connection nipple from the one supplied with the valve to the one supplied with the kit.

**Mar 2008 SKU's Reduced** as a result of multi-pressure versions being introduced. Guidance on removal of pressure regulator added

**Aug 2008 Moonshadow SC** Bottom bracket changed to show one piece pillar