

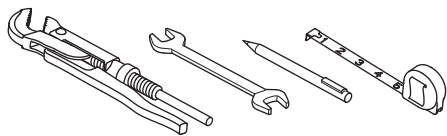
Outlet Valve General Installation Instructions



GENERAL INFORMATION

Tools/Materials Required (not supplied)

Water Pump Pliers
Spanners
Pencil or Marker Pen
Measuring Tape



Before You Start

Check the pack and make sure you have all the parts listed. If not, contact the vendor who will be able to help you. When you are ready to start, make sure that you have the right tools to hand, plenty of space and a clean area for assembly.

Check through bolt connections and tighten if necessary.



WARNING

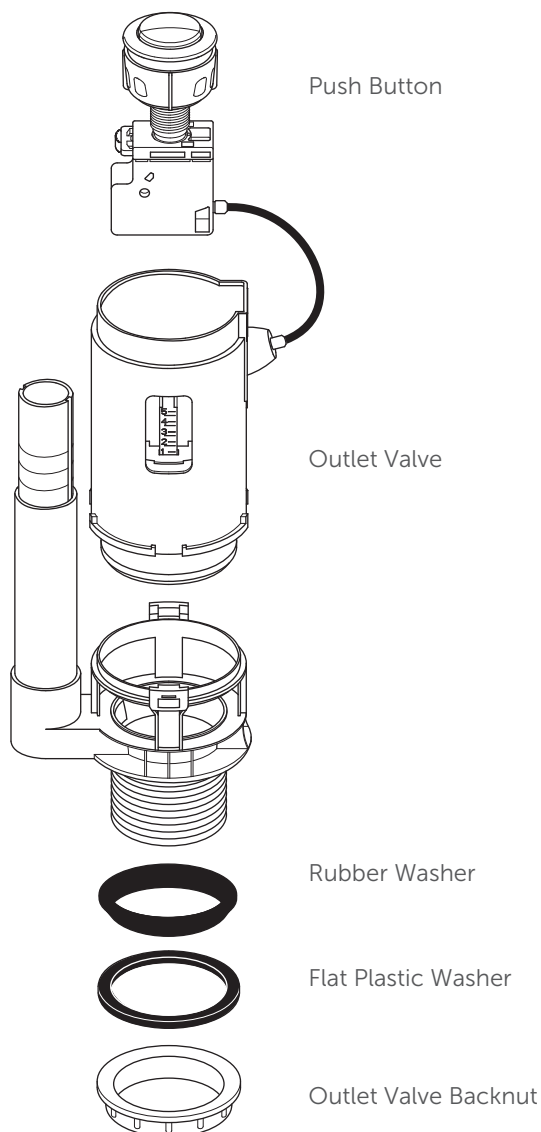
Do not use or drop any chlorine or chemical related components into the cistern or WC.

Use of such products will :

- (a) Result in damage to tank components, and may cause flood and property damage.
- (b) Void warranty.

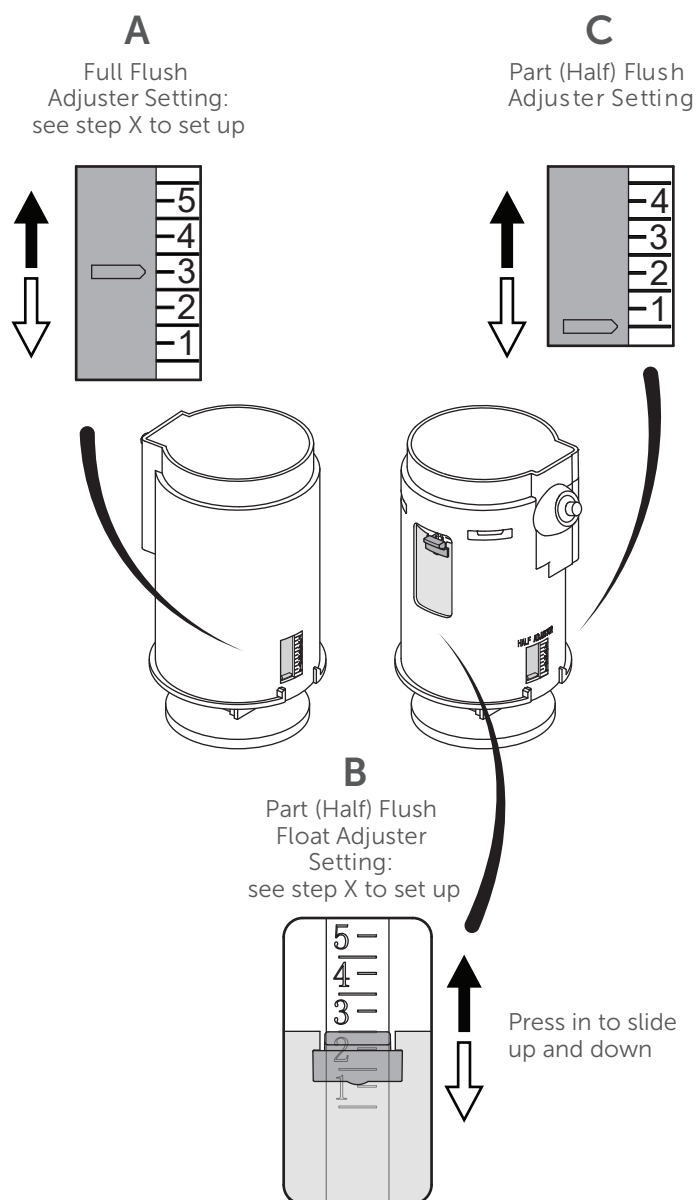
Do not overtighten nuts or tank / bowl may crack

PARTS SUPPLIED



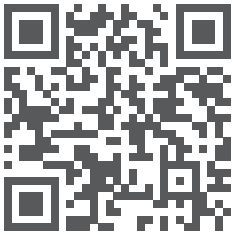
OUTLET VALVE CONTROLS

Find and familiarise yourself with the three control windows before starting.



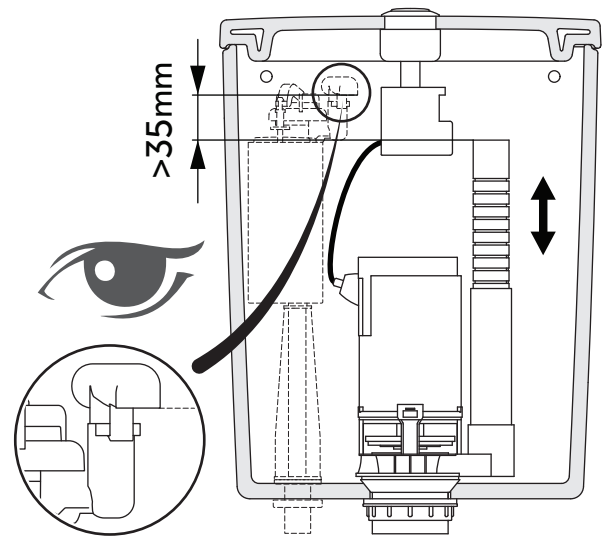
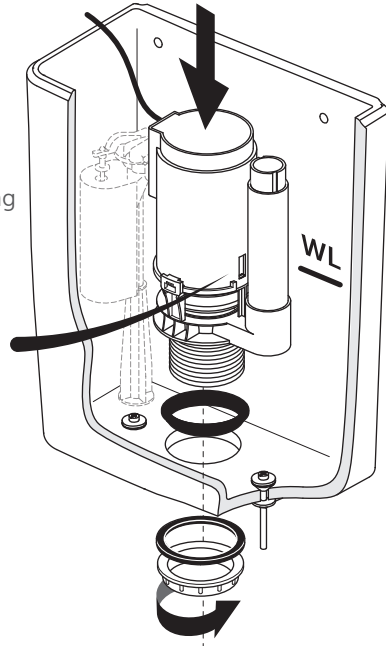
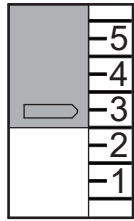
1

For specific settings used in **Ideal Standard** tanks please refer to:

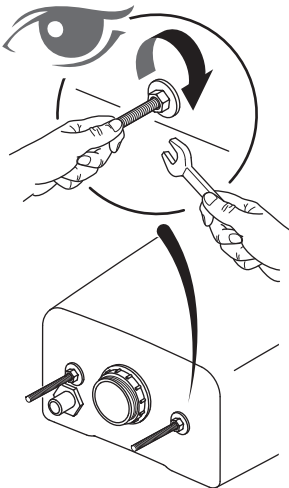


and search for this item code.

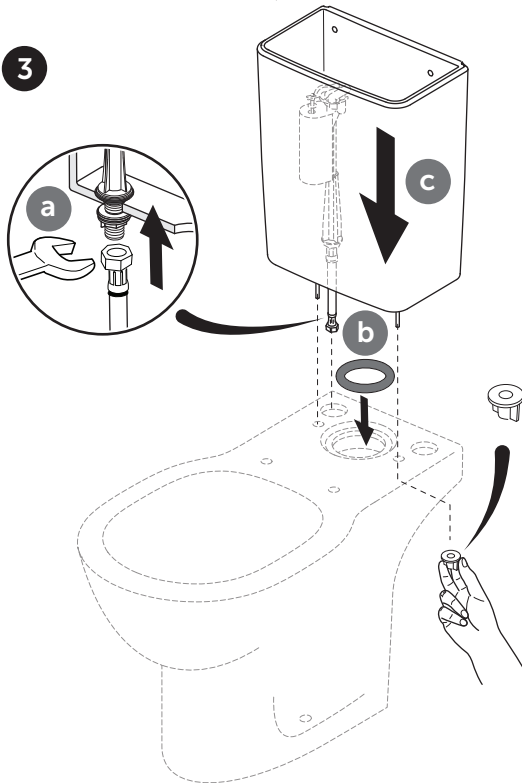
A
Full Flush Adjuster Setting



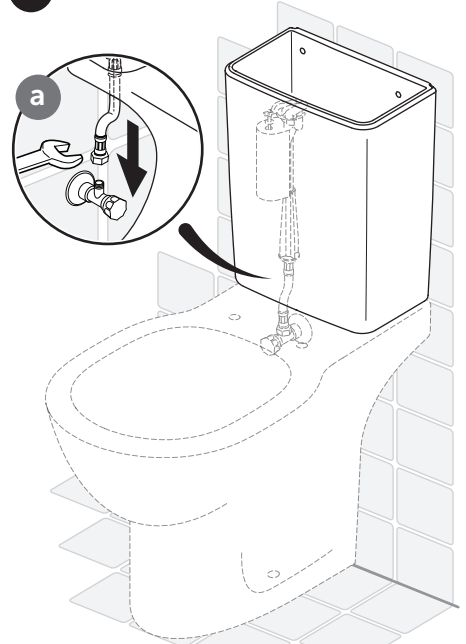
2



3



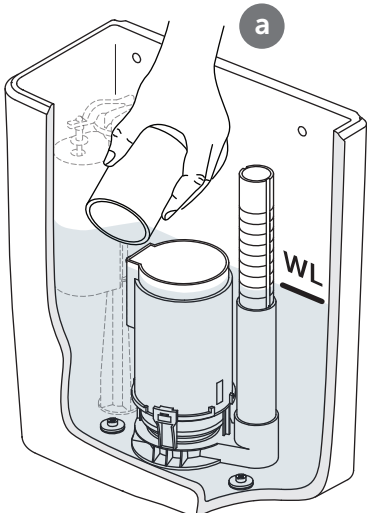
4



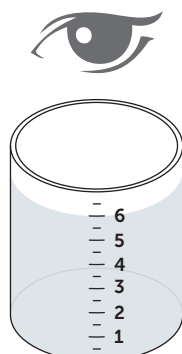
b Fill tank to waterline and turn off water.

5

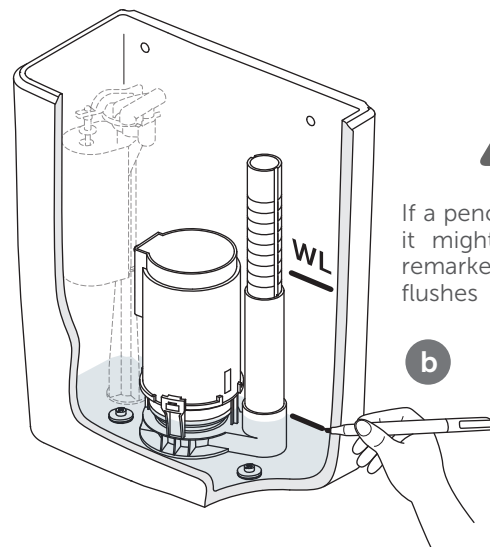
FULL FLUSH



Empty the full flushing volume from the tank



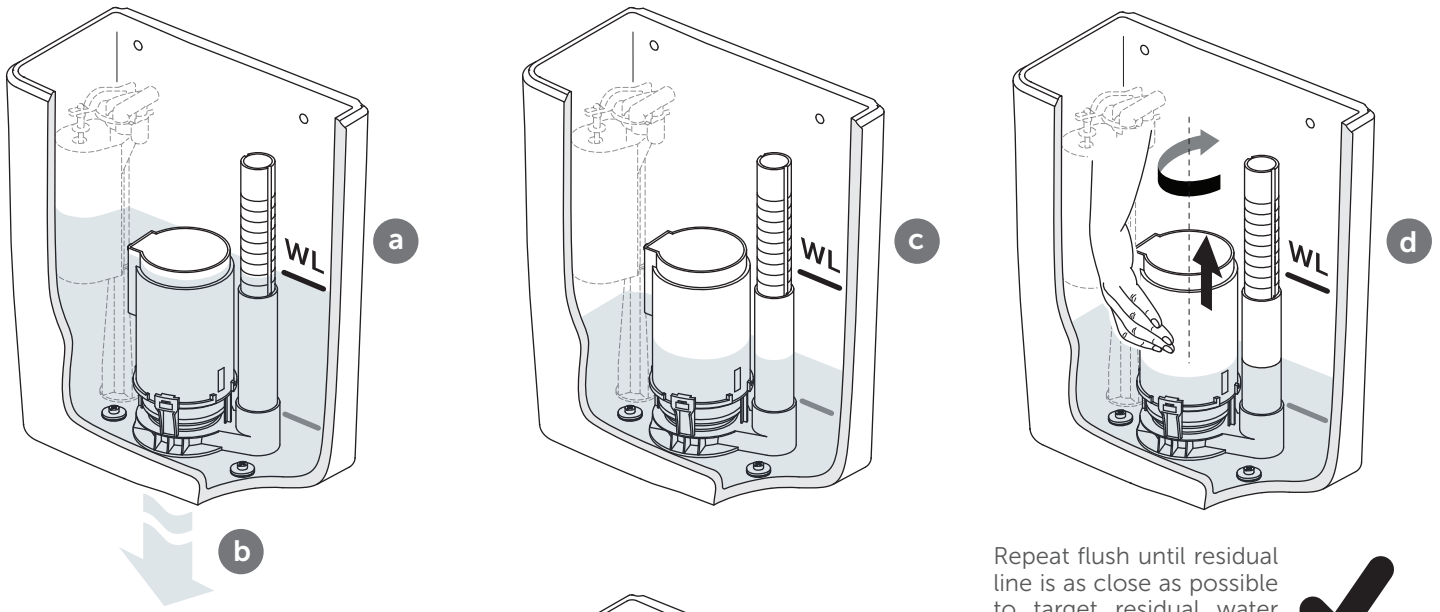
e.g. 6L in this example



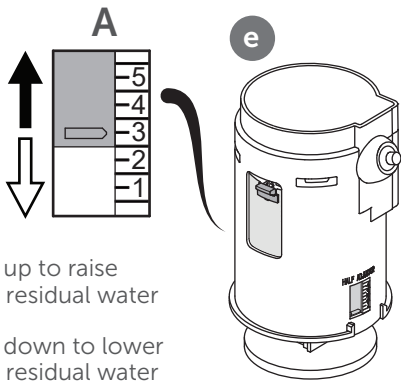
If a pencil is used then it might need to be remarked between flushes

6

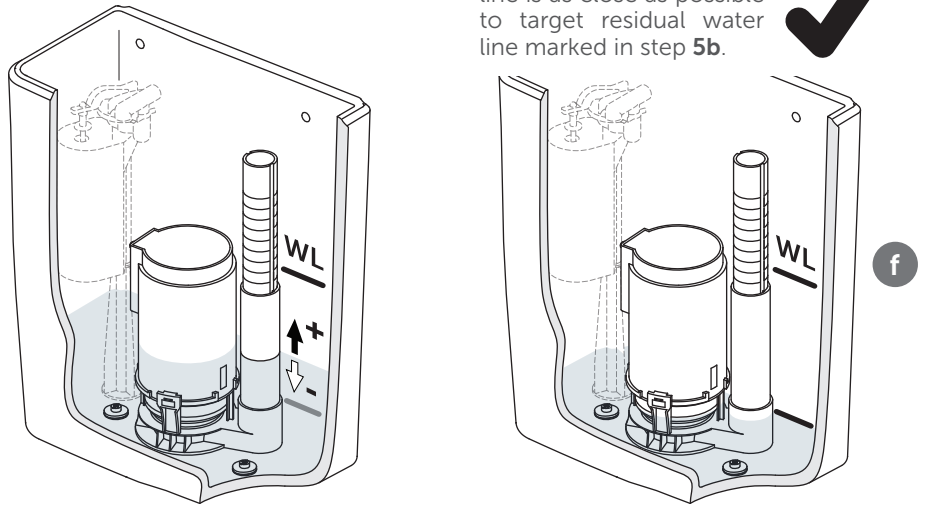
Turn water on fill to water line
Turn water off and full flush



Adjust Full Flush Adjuster Setting



- up to raise residual water
- down to lower residual water

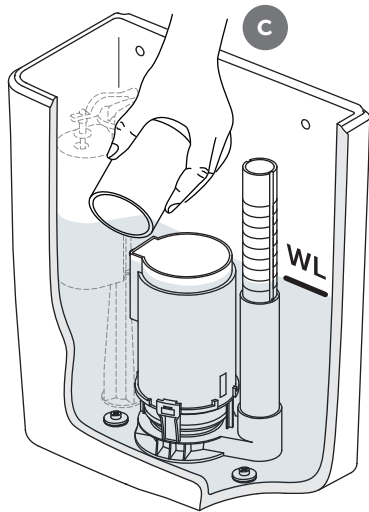
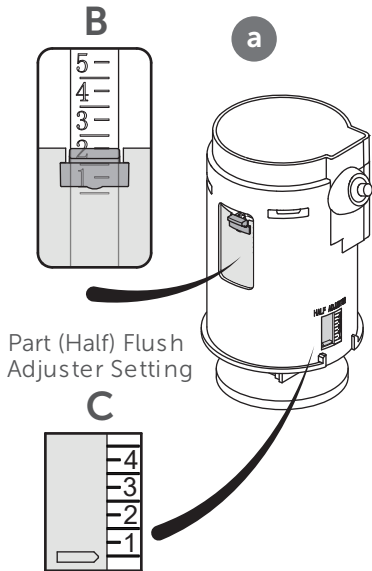


Repeat flush until residual line is as close as possible to target residual water line marked in step 5b.

NOTE: No more adjustment is needed for full flush adjuster.

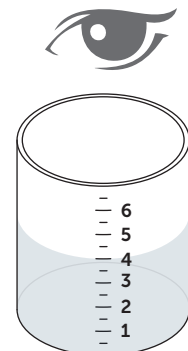
7 HALF FLUSH

Part (Half) Flush Float Adjuster Setting

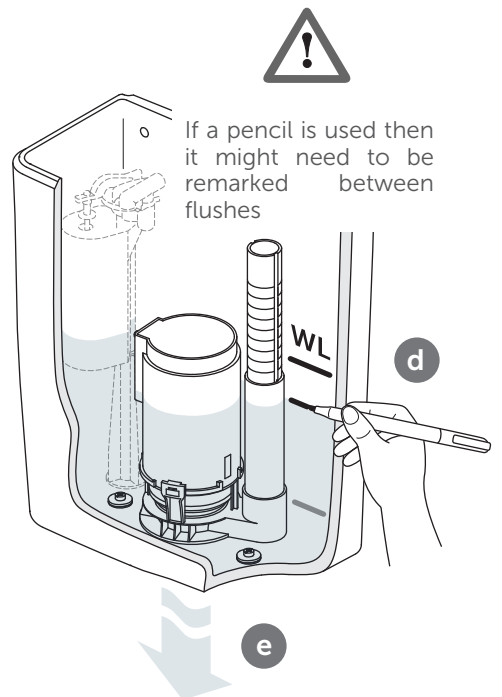


Fill up to waterline and turn off water supply.

The Part Flush volume should be no more than 2/3rds of the full flush volume.



e.g. 4L in this example

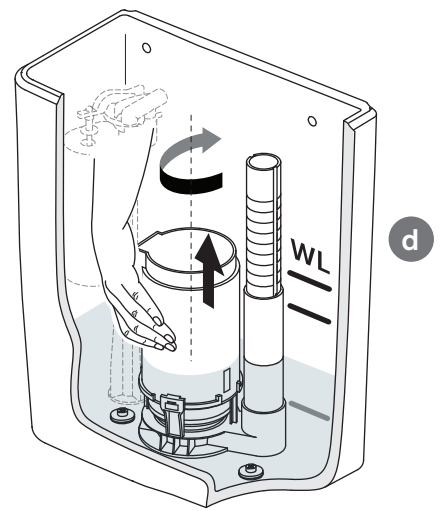
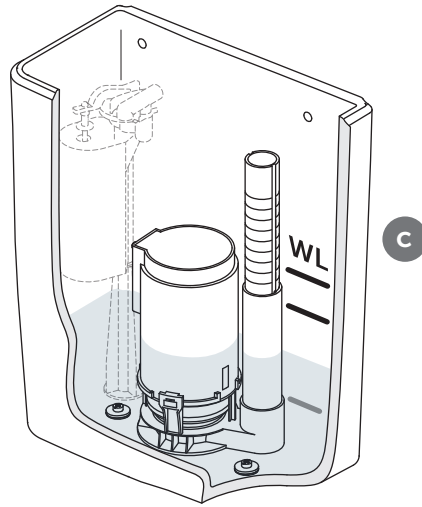
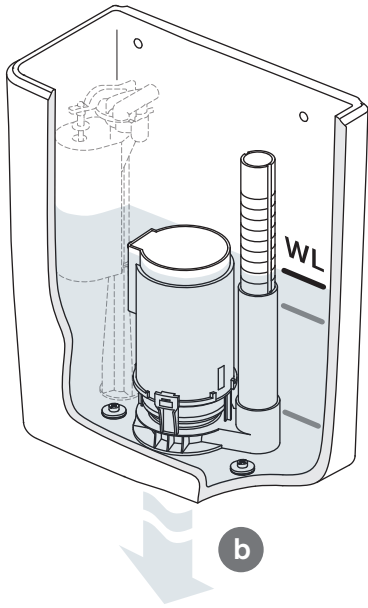


8

Turn water on fill to water line
Turn water off and part flush

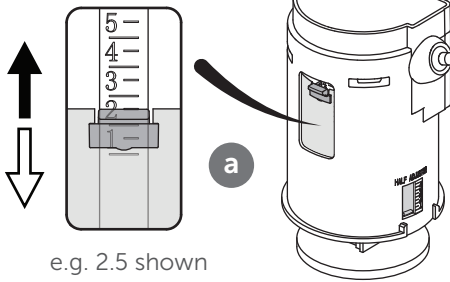


Remove valve



Part (Half) Flush
Float Adjuster
Setting

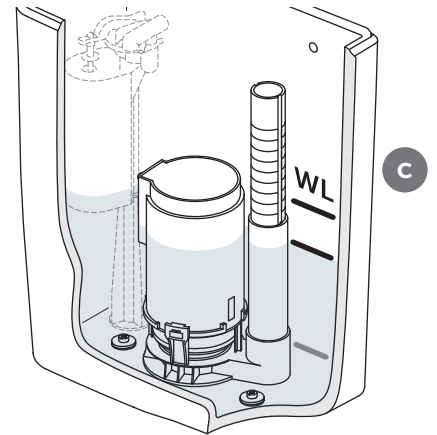
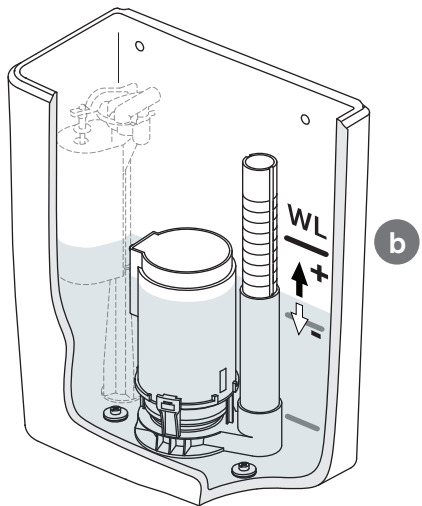
B



e.g. 2.5 shown

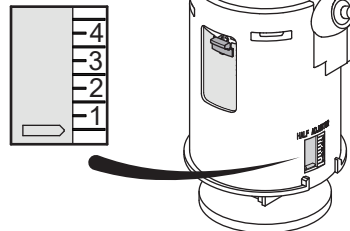
- up to raise the part flush residual level
- down to lower part flush residual level

Repeat flush and adjustment until
the part flush residual water level
is on the line marked in 8d.



Part (Half) Flush
Adjuster Setting

C



NOTE: Part flush fine tuning window.
It is recommended that this is
kept fully closed.

All cistern components must be installed in accordance with UK
water regulations. If in doubt please consult a suitably qualified
professional.

CUSTOMER CARE HELPLINE

01482 496318

FAX LINE 01482 499611

email: customer care@idealstandard.com

WW10001767

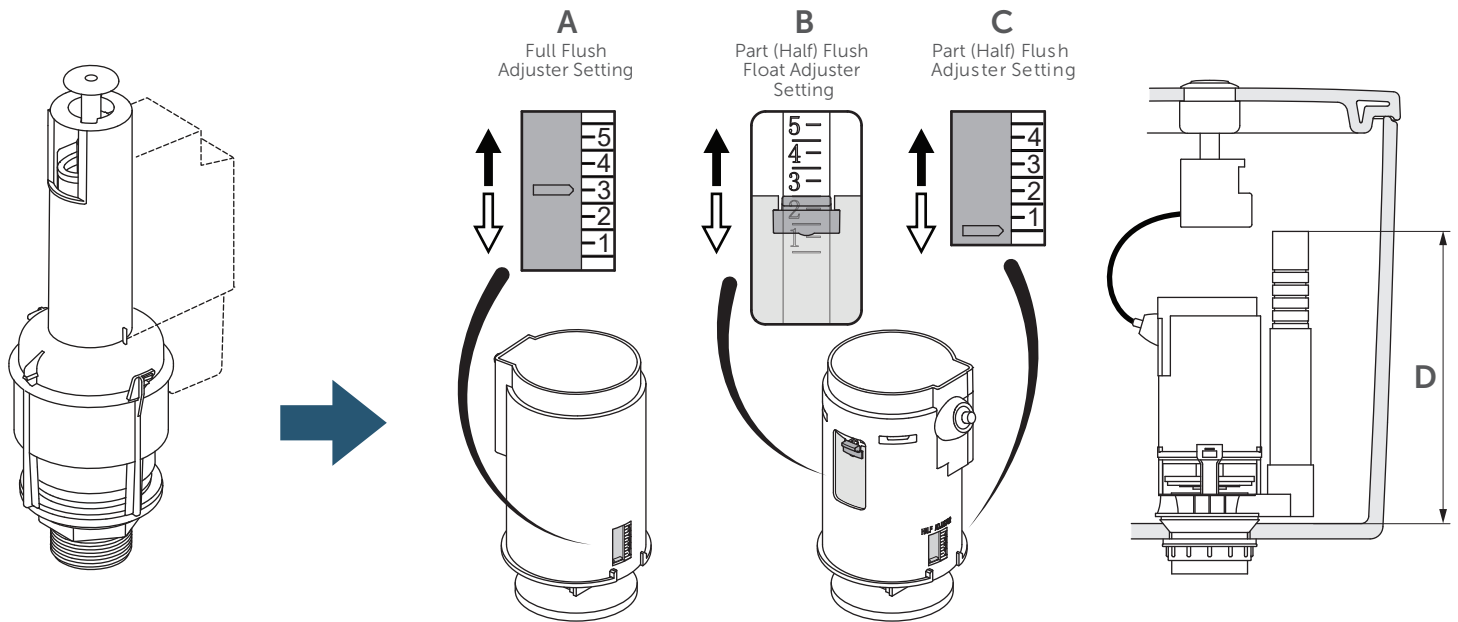
ver. 2.1/02.22

We pursue a policy of continuing improvement in design and performance of our products. The right is,
therefore, reserved to vary specifications without notice.

OUTLET VALVE SETTINGS



Wire Operated Single/Dual Flush Valve ~ **2 Inch** Dia Thread Outlet



Settings used to replace outlet valve following the type as shown below:

Cistern Code (Pre-2020 flush valve as illustrated above)	A Full Flush Adjuster Setting	B Part (Half) Flush Float Adjuster Setting	C Part (Half) Flush Adjuster Setting	Obsolete flush valve part number	D Overflow Height, mm
E121201 Concept Space Corner 6/4	0.5 (minimum)	2.5	0.5 (minimum)	SV92467	200
E302901 Create Edge and Square 6/4					
E308601 Create Drift 6/4					
E528801 Senses cube 6/4					
E528901 Senses Sphere 6/4					
E606001 Briscoe 6/4					
E622401 Jasper Morrison 6/4					
E775801 Santorini Elipse 6/4					
E775901 Santorini Bow 6/4					
E785901 Concept Cube 6/4					
E786001 Concept Arc 6/4					
E807501 New Oracle 6/4					
J453701 Celano 6/4					
S161801 Sandringham 51 6/4					
S309301 Profile 21 6/4					
T357001 Tesi					
T400901 Softmood 6/4					
T422801 Ventuno 6/4					
T427001 Tempo 6/4					
U814001 Chiani Corner 6/4					
U836001 Turano 6/4					
U847101 Anapo 6/4					
U851701 Mavone 6/4					
E293201 New Baronet 6/4	1.5	2.5	0.5 (minimum)	SV89067	180
E593601 Marano 6l					
E776101 Santorini Cube 4/2.6					
E796901 Concept Cube 4/2.6					
S303701 Highgrove 6l					
S306601 Elmdale					
S307401 Richmond 6l					
S309401 Profile 21 4/2.6					
S360601 Serentiy 6l					
S361301 Cameo 6/4.5l					
S365001 Tiffany 6/4.5l					
S366001 Sandringam 6/4					
S366201 Sandringham Classic					
S372601 Montana 6l					
S387301 Montana 6/4					

Cistern Code (Pre-2020 flush valve as illustrated above)	A Full Flush Adjuster Setting	B Part (Half) Flush Float Adjuster Setting	C Part (Half) Flush Adjuster Setting	Obsolete flush valve part number	D Overflow Height, mm
S379601 Lisbon 6l	1,5	2,5	0.5 (minimum)	SV89067	200
S398901 Camarque 6/4.5					
S425301 Tiffany 6/4.5					
S425401 Principal					
SV87301 Elmdale					
U849301 Chiani 4/2.6	0.5 (minimum)	4	0.5 (minimum)	SV94167	200
E718401 Space Close Coupled 6/4					
E720401 Spave Corner 6/4	0.5 (minimum)	2,5	0.5 (minimum)	SV92667	200
E200701 Berkeley 6					
E562501 Reprise					
E751401 Alto 6/4					
E759301 Alto Spec 6/4					
E759501 Alto Plus 4/2.6					
E759601 Alto Plus					
E776001 Santorini Elipse 4/2.6					
E785501 Concept Arc 4/2.6					
E826401 Studio 6/4.5					
E896601 Sandringham 21 4/6					
J468201 Playa 6/4					
K405101 Tonic II 6/4					
R366201 Washpoint 6/4.5					
S307201 Contemporary 6					
S360801 Tranquility 6/4.5					
S364801 Accolade 6/4.5					
S368601 Westside 6					
S419901 Halo 6/4.5					
T429101 Dea 6/4					
U835901 Turano 4/2.6	0.5 (minimum)	3	0.5 (minimum)	SV94267	205
K426001 Tonic					
U848501 Micio 6/4	0.5 (minimum)	-	0.5 (minimum)	SV92067	200
E592901 Jasper Morrison Single Flush					
E754401 Alto 4/2.6	0.5 (minimum)	0,5	0.5 (minimum)	SV92867	200
E896701 Sandringham 21 4/2.6					
E899901 Sandringham 21 Smooth					
J502801 Playa 4/2.6					
K405001 Tonic II 4/2.6					
S382301 Seville	1	5 = top	0 (closed)	N/A	267
E080401 Concept Air 6/4					
E080601 Concept Air 4/2.6	3	2.5	0 (closed)	N/A	222
E149701 Philosophy 6/4					
E150501 Studio Echo 6/4	1	3	0 (closed)	N/A	226
E150601 Studio Echo 4/2.6					
E809801 Vue 6/4	5.5	4	0 (closed)	N/A	212
T356901 Tesi 4/2.6					
U849501 Isarca 6/4	1	5 = top	0 (closed)	N/A	267
U851601 Mavone 4/2.6					
U854301 Isarca 4/2.6	0 (closed)	3	0 (closed)	N/A	222
E080701 Concept Air 6/4					
E080801 Concept Air 4/2.6	3	3	0 (closed)	N/A	222
S326101 Contour 21/Schools/Splash 4/2.6					
E808601 Concept Curve 6/4	3	2	3.5	N/A	227
	3.5	9	0 (closed)	N/A	225

CUSTOMER CARE HELPLINE

01482 496 318

FAX LINE 01482 499611

email: customer care@idealstandard.com

WW10002067

ver. 2.2/02.22