

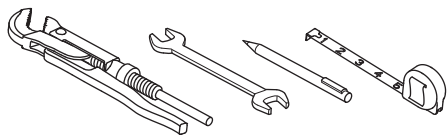
# Outlet Valve General Installation Instructions



## GENERAL INFORMATION

### Tools/Materials Required (not supplied)

Water Pump Pliers  
Spanners  
Pencil or Marker Pen  
Measuring Tape



### Before You Start

Check the pack and make sure you have all the parts listed. If not, contact the vendor who will be able to help you. When you are ready to start, make sure that you have the right tools to hand, plenty of space and a clean area for assembly.

Check through bolt connections and tighten if necessary.



### WARNING

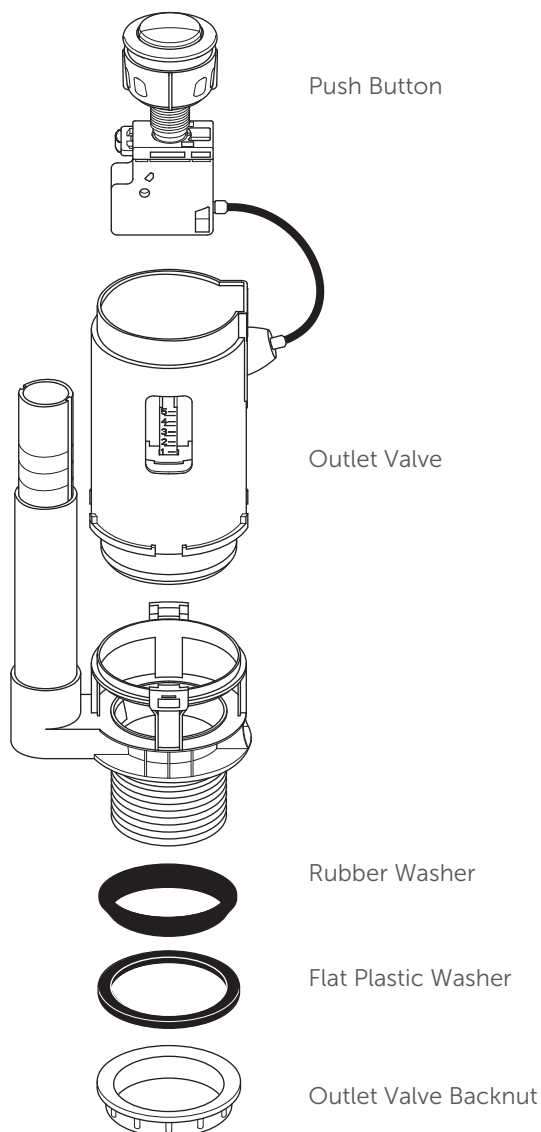
Do not use or drop any chlorine or chemical related components into the cistern or WC.

Use of such products will :

- (a) Result in damage to tank components, and may cause flood and property damage.
- (b) Void warranty.

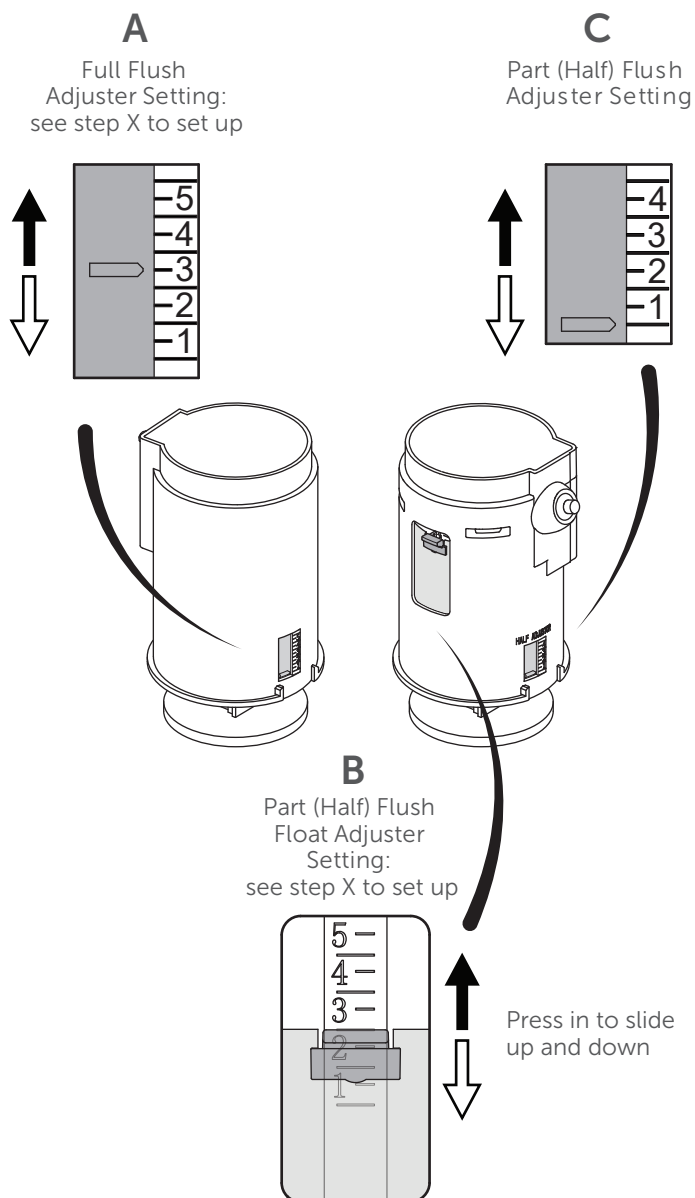
Do not overtighten nuts or tank / bowl may crack

## PARTS SUPPLIED



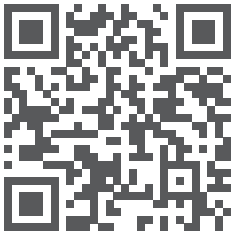
## OUTLET VALVE CONTROLS

Find and familiarise yourself with the three control windows before starting.



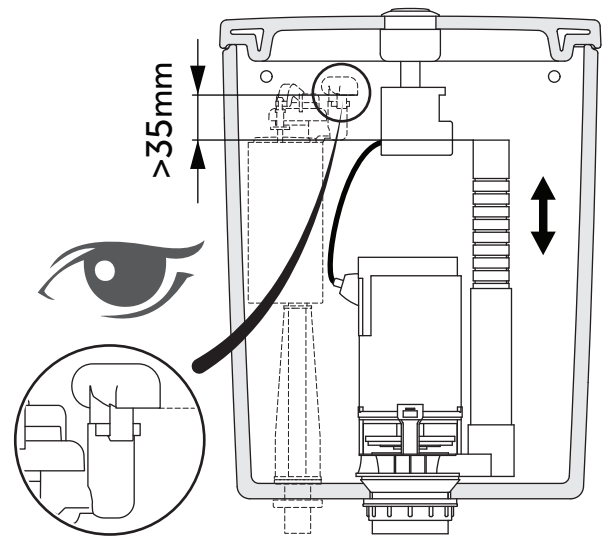
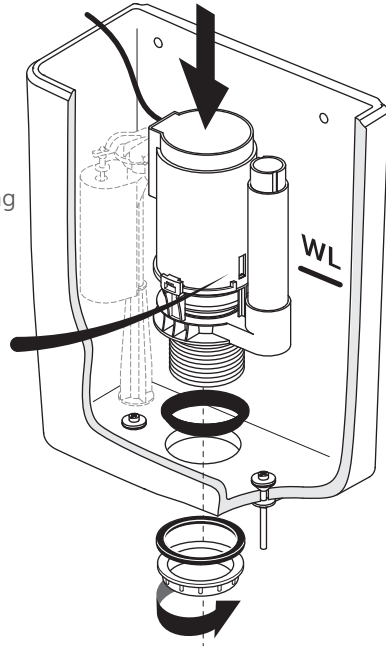
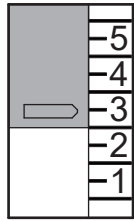
1

For specific settings used in **Ideal Standard** tanks please refer to:

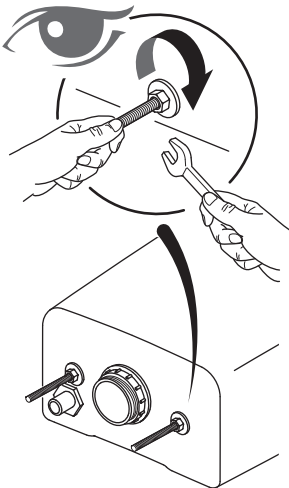


and search for this item code.

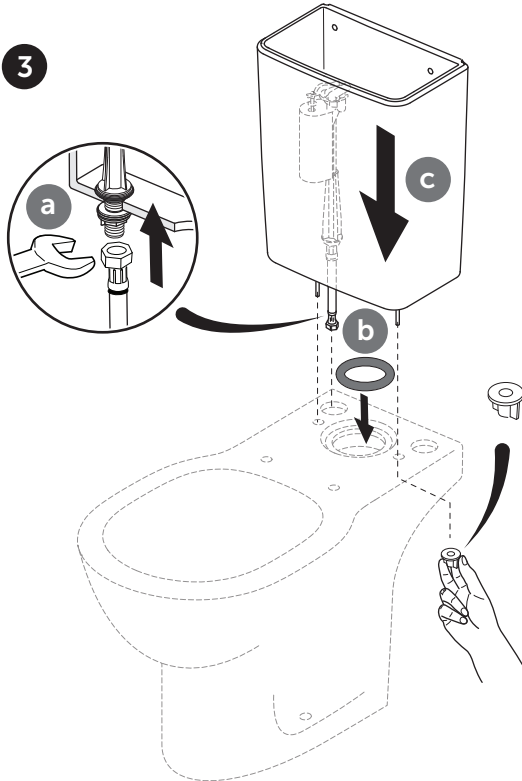
**A**  
Full Flush Adjuster Setting



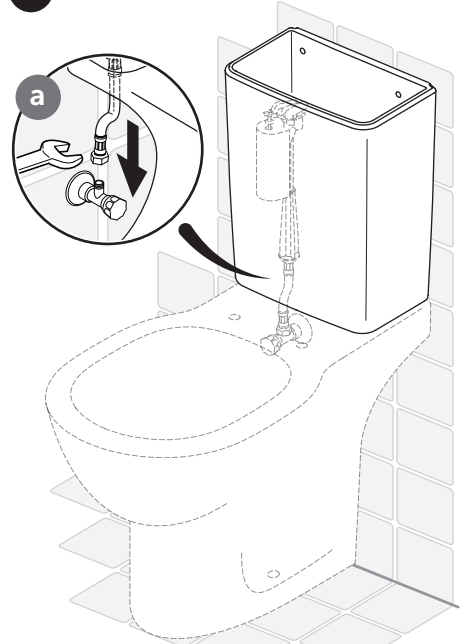
2



3



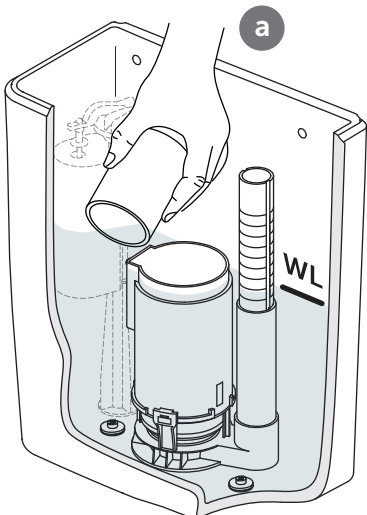
4



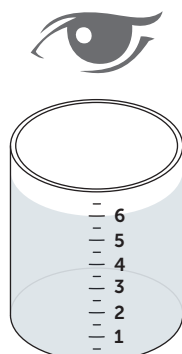
**b** Fill tank to waterline and turn off water.

5

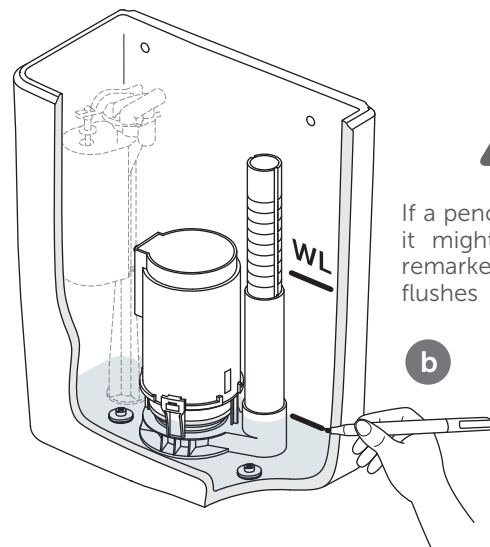
**FULL FLUSH**



Empty the full flushing volume from the tank



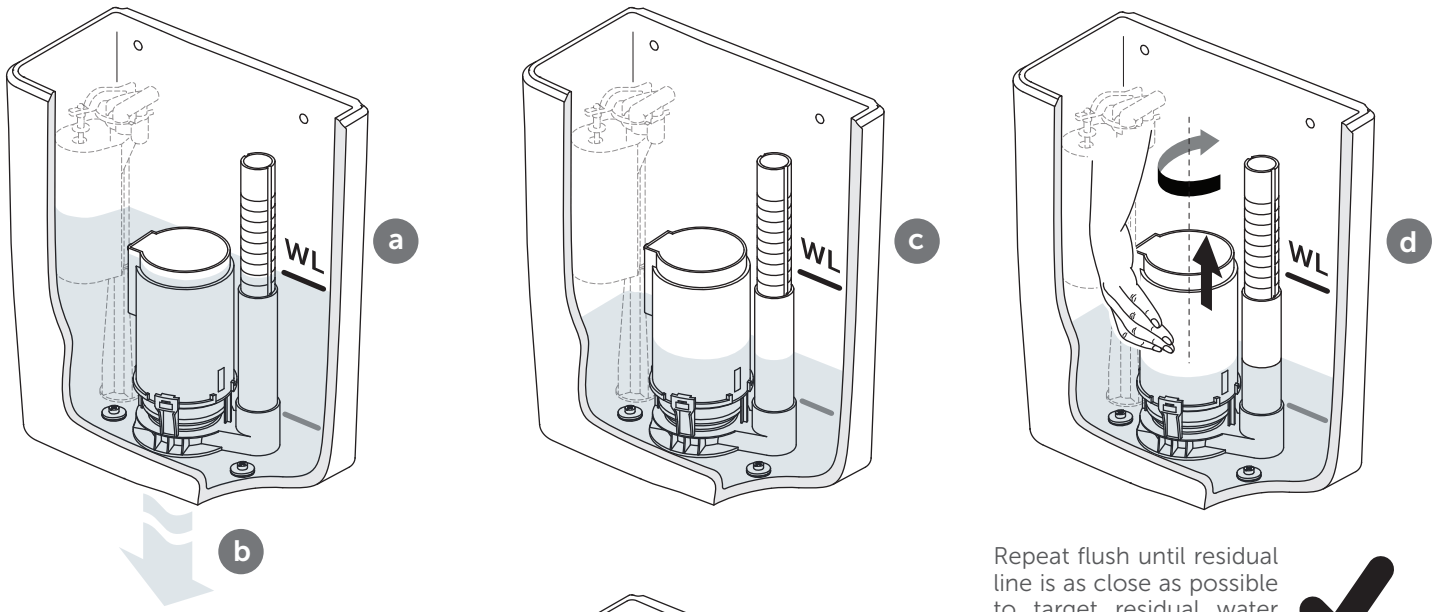
e.g. 6L in this example



If a pencil is used then it might need to be remarked between flushes

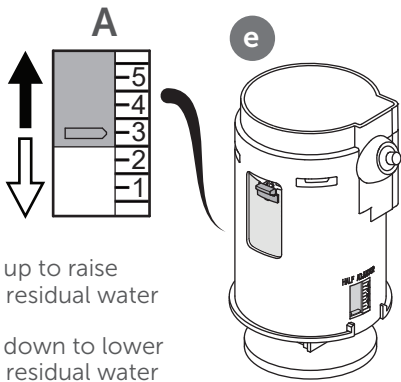
# 6

Turn water on fill to water line  
Turn water off and full flush

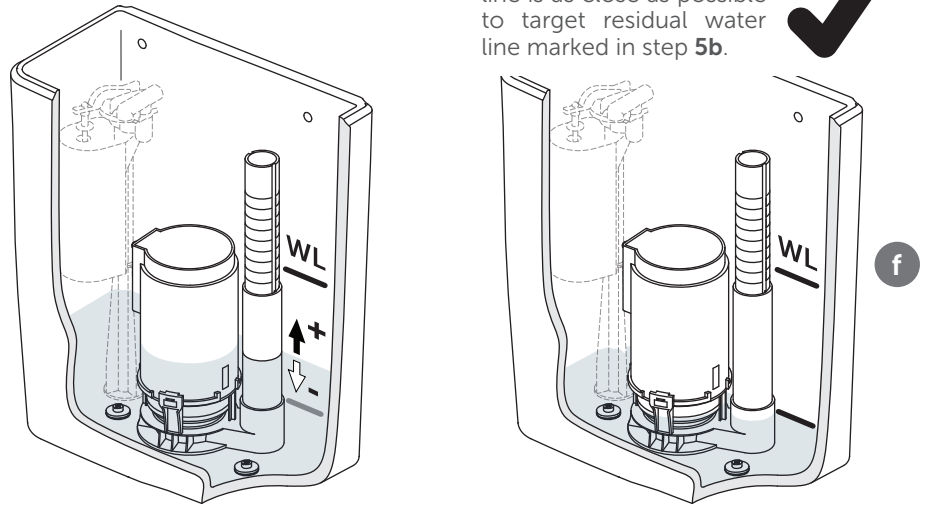


Remove valve

Adjust Full Flush Adjuster Setting



- up to raise residual water
- down to lower residual water

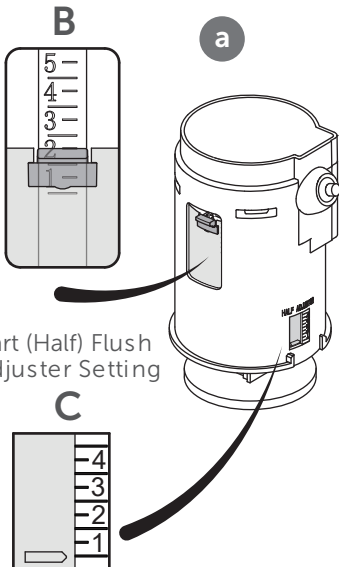


Repeat flush until residual line is as close as possible to target residual water line marked in step 5b.

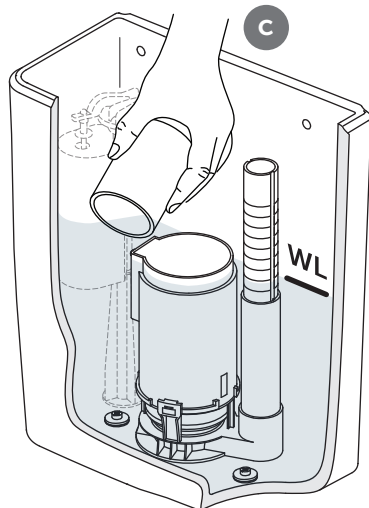
**NOTE: No more adjustment is needed for full flush adjuster.**

# 7 HALF FLUSH

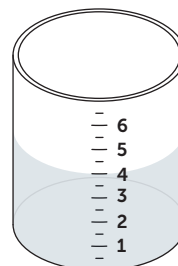
Part (Half) Flush  
Float Adjuster  
Setting



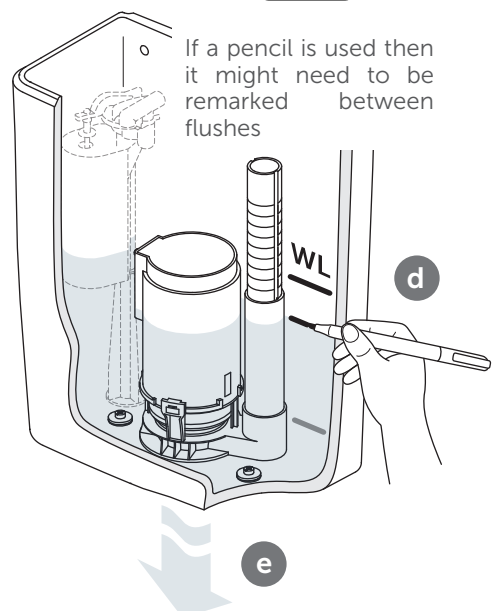
Part (Half) Flush  
Adjuster Setting



The Part Flush volume should be no more than 2/3rds of the full flush volume.



e.g. 4L in this example



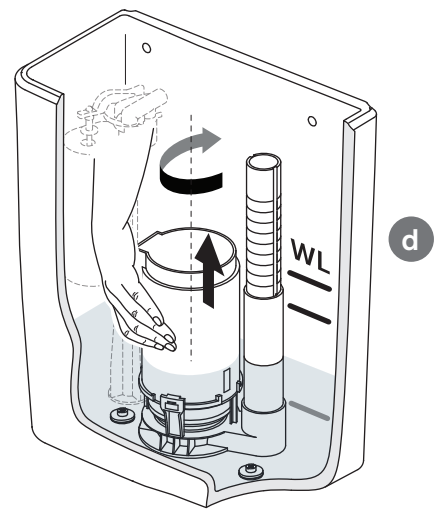
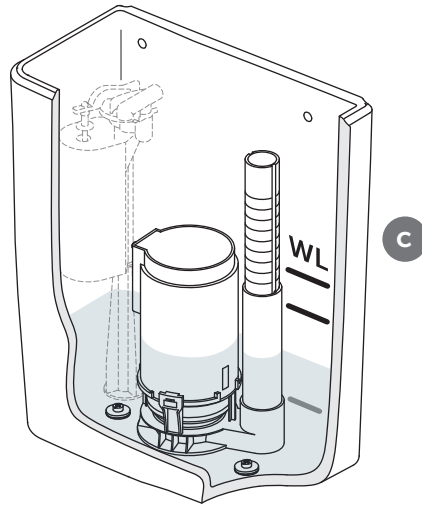
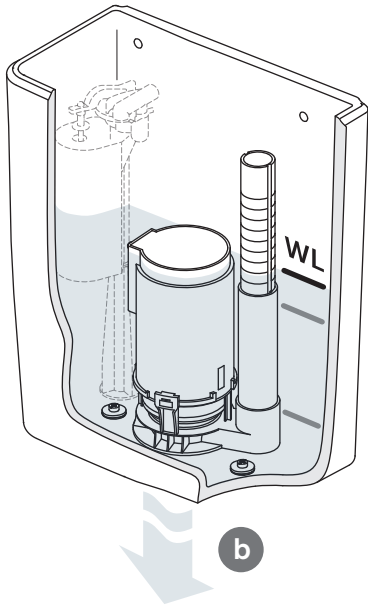
If a pencil is used then it might need to be remarked between flushes

8

Turn water on fill to water line  
Turn water off and part flush

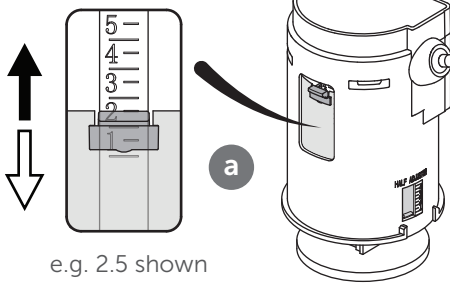


Remove valve



Part (Half) Flush  
Float Adjuster  
Setting

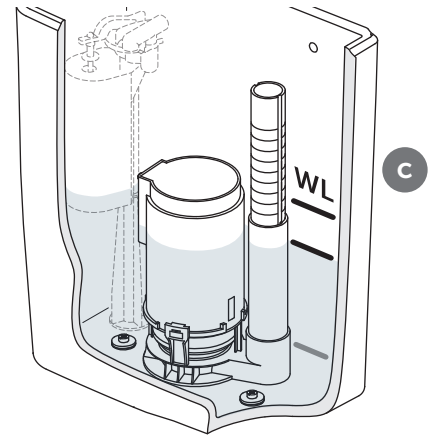
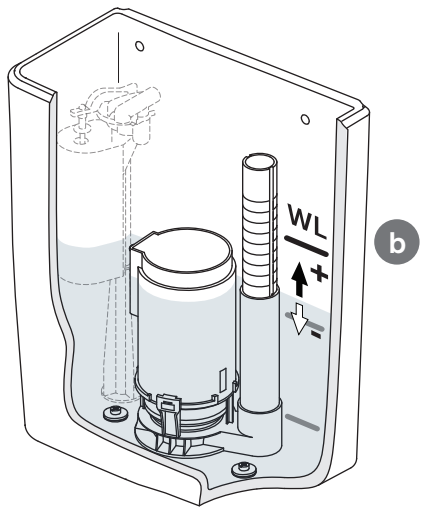
B



e.g. 2.5 shown

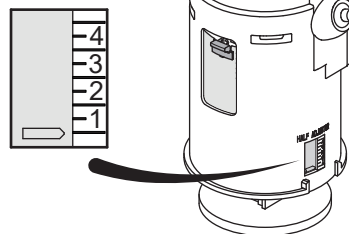
- up to raise the part flush residual level
- down to lower part flush residual level

Repeat flush and adjustment until  
the part flush residual water level  
is on the line marked in 8d.



Part (Half) Flush  
Adjuster Setting

C



**NOTE:** Part flush fine tuning window.  
It is recommended that this is  
kept fully closed.

All cistern components must be installed in accordance with UK  
water regulations. If in doubt please consult a suitably qualified  
professional.

CUSTOMER CARE HELPLINE

01482 496318

FAX LINE 01482 499611

email: [customer care@idealstandard.com](mailto:customer care@idealstandard.com)

WW10001767

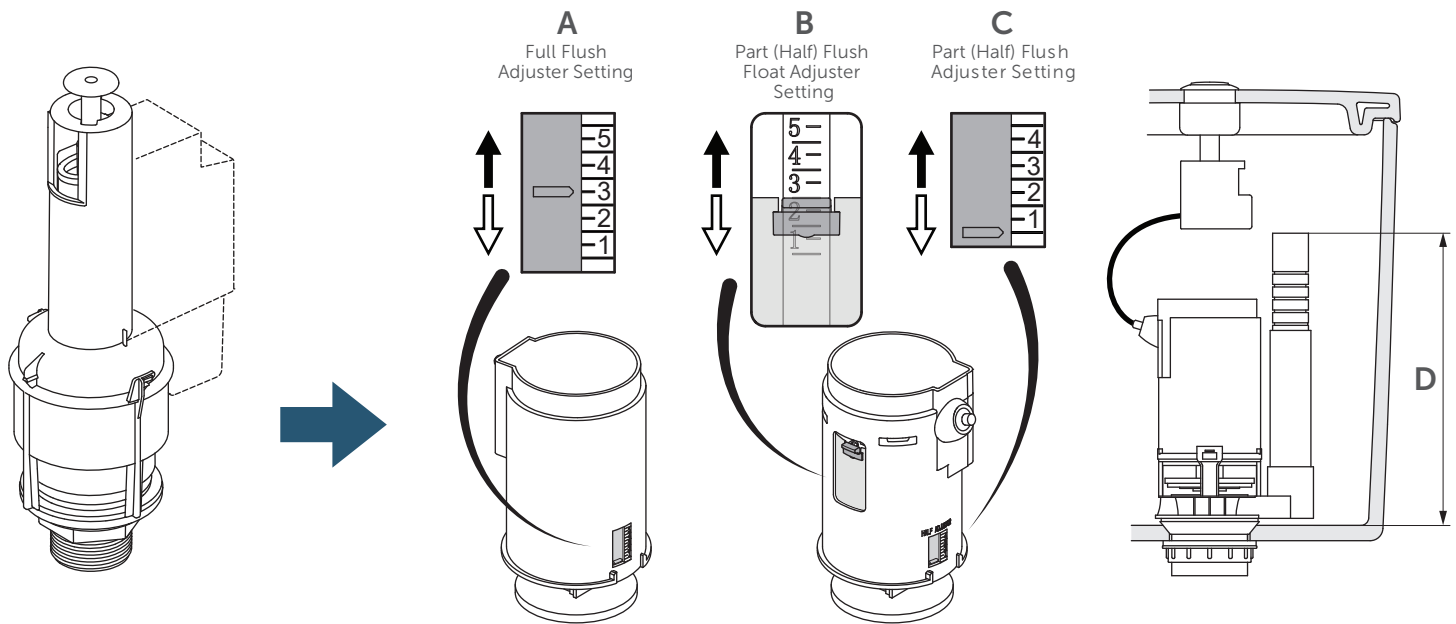
ver. 2.1/02.22

We pursue a policy of continuing improvement in design and performance of our products. The right is,  
therefore, reserved to vary specifications without notice.

# OUTLET VALVE SETTINGS



Wire Operated Single/Dual Flush Valve ~ **1.5 Inch** Dia Thread Outlet



Settings used to replace outlet valve following the type as shown below:

Cistern Code (Pre-2020 flush valve as illustrated above)	A Full Flush Adjuster Setting	B Part (Half) Flush Float Adjuster Setting	C Part (Half) Flush Adjuster Setting	Obsolete flush valve part number	D Overflow Height, mm
E876101 Sandringham 21 Magnia 6/4	0.5 (minimum)	3	0.5 (minimum)	SV13167	200
S306401 Contour 21 Schools	1.5	-	0.5 (minimum)	SV90867	200
	0.5 (minimum)	4	0.5 (minimum)	SV94367	200
S369401 Contour 21 schools 4/2.6	0.5 (minimum)	4	0.5 (minimum)	SV91067	200
S369701 Contour 21 4.5/3					
S372501 Universal Low Level 6/4.5					
U028201 Denbigh Low Level 6/4					

## CUSTOMER CARE HELPLINE

### 01482 496 318

FAX LINE 01482 499611

email: [customer care@idealstandard.com](mailto:customer care@idealstandard.com)

WW10001967

ver. 2.2/02.22