

7 SPARE PARTS

- 1 E916532AA
- 3 A962311NU
- 4 A962312AA
- 6 A860786AA
- 7 A860655NU
- 8 A963372NU
- 9 A961863NU
- 10 A962715NU
- 11 A951970NU11
- 12 A962848NU
- 14 A960063AA
- 14a A963900AA
- 14b L6982NU
- 15 A961230AA
- 16 B964894NU
- 17 A960485NU
- 18 B960341NU
- 19 A962321AA
- 20 A963404NU

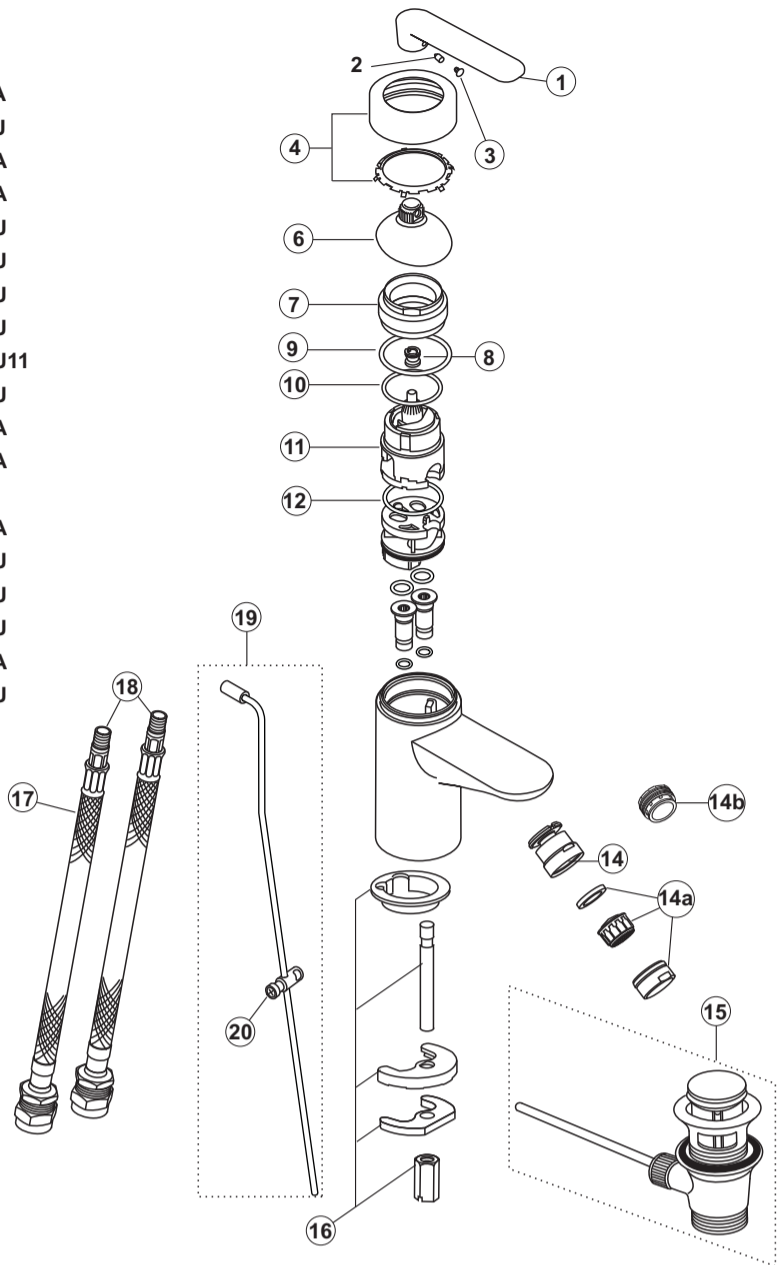


Figure 8 A4515AA Defacto Single Lever Bidet Mixer

- 1 E916532AA
- 2 A962311NU
- 3 E907056AA
- 4 A962324AA
- 5 A907195AA
- 6 A860655NU
- 8 A961863NU
- 9 A963372NU
- 10 A962716NU
- 11 A963900AA
- 11a L6982NU
- 12 A955246NU40
- 13 A963161NU
- 14 A960133NU

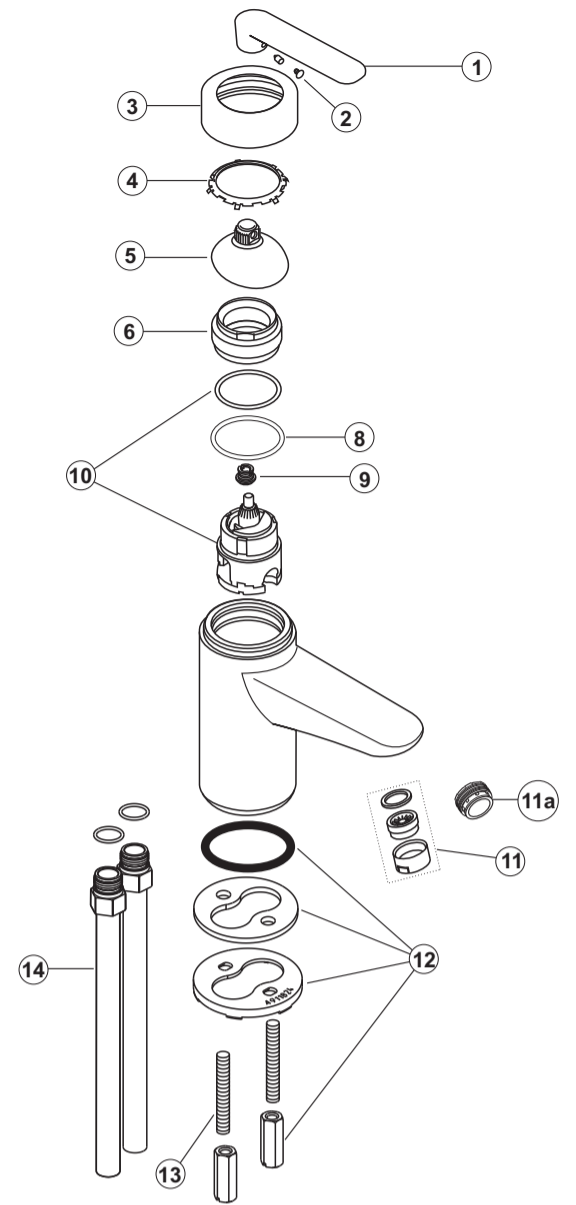


Figure 9 A4518AA Defacto Single Lever Bath Filler

8 CLEANING

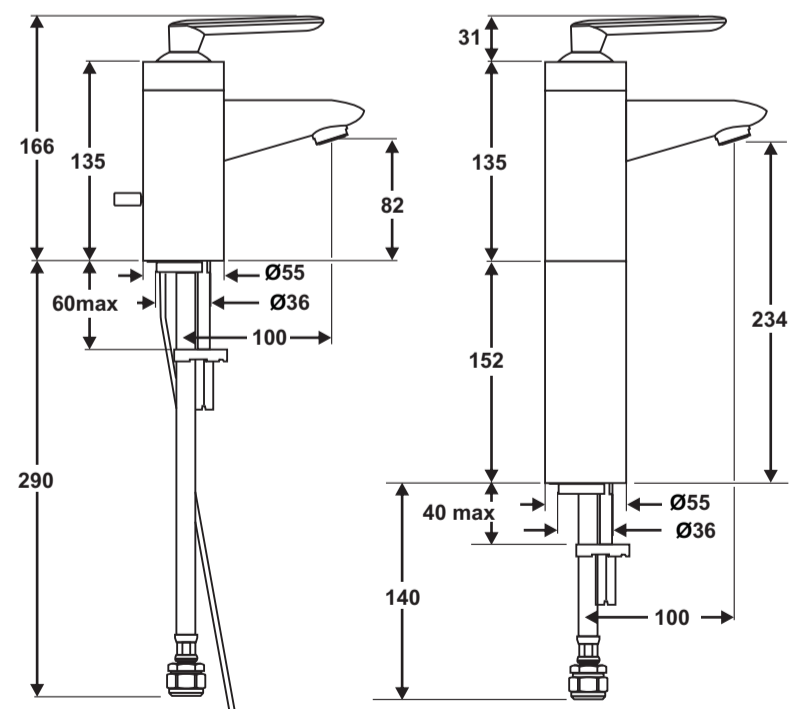
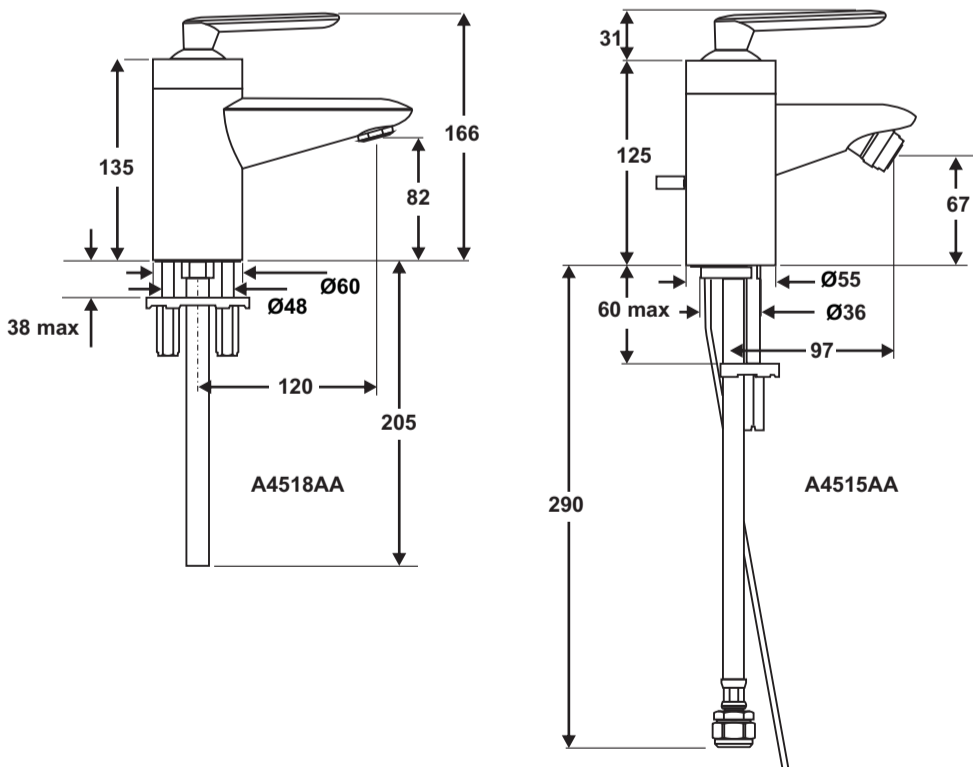
When cleaning the fittings always use soap based cleaners. Never use abrasive or scouring powders and never use cleaners containing alcohol, ammonia, nitric acid, phosphoric acid or disinfectants.

Installation Instructions

DEFACTO

Single Lever Bathroom Fittings

- A4513AA DEFACTO BASIN S/L MIXER WITH POP-UP WASTE
- A4514AA DEFACTO VESSEL BASIN S/L MIXER
- A4515AA DEFACTO BIDET S/L MIXER WITH POP-UP WASTE
- A4518AA DEFACTO BATH FILLER S/L



A4513AA

A4514AA

CUSTOMER CARE HELPLINE
0870 129 6085

CUSTOMER CARE FAX
01482 499611

E-MAIL
UKcustcare@IdealStandard.com

Sottini pursues a policy of continuing improvement in design and performance of its products. The right is therefore reserved to vary specification without notice.

Sottini is a division of Ideal Standard (UK) Ltd

Sottini
The Bathroom Works, National Avenue
Kingston-upon-Hull, HU5 4HS England

4704 03/09

E96565300

Sottini

INSTALLER: After installation please pass this instruction leaflet to user

2 RANGE, SUPPLY CONDITIONS & OPERATION

The fittings covered by this installation and maintenance instruction should be installed in accordance with the water regulations published in 1999* therefore, Sottini would strongly recommend that these fittings are installed by a professional installer

*A guide to the Water Supply (Water Fittings) Regulations 1999 and the Water Byelaws 2000, Scotland, is published by WRAS (Water Regulations Advisory Scheme) Fern Close, Pen-y-Fan Industrial Estate, Oakdale, Newport, NP11 3EH. ISBN 0-9539708-0-9

WATER SUPPLIES

Defacto single lever fittings are designed for use on systems where the water pressure is a minimum of 0.1 bar (0.2 bar for bidet) and they are suitable for use up to a pressure of 5.0 bar.

For fittings at pressures above 2.0 bar it may be found desirable to replace the flow straighteners with the aerators (supplied).

It is recommended that the hot and cold supply pressures are reasonably balanced and from a common source.

CONNECTIONS

It may be necessary to insert the flexible inlet tails of the Basin and Bidet fittings through the tap hole from below before screwing them into the fitting body as the inlet end connectors may not pass through the tap hole when fitted. Ensure they are tightened before securing the fitting to the tap deck.

- | | |
|----------------------|--|
| Basin & Bidet mixers | - Flexible inlet tails with
15mm compression connectors |
| Bath Filler | - 15mm copper tails |

For the Bath Filler only it should be noted that the hot supply should be connected on the right and the cold connection on the left.
(See Figure 2)

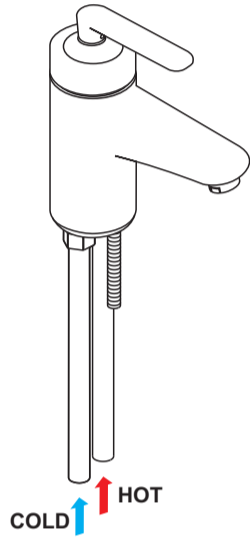


Figure 2 Bath Filler Connections

3 LOCATION & FIXING

ONE HOLE BATH FILLERS

IMPORTANT NOTE
These one hole bath fittings are designed for a corner installation (see figure 3) or a position along the front side rim of the bath. Do not fit in line with the overflow assembly as there is unlikely to be sufficient space.

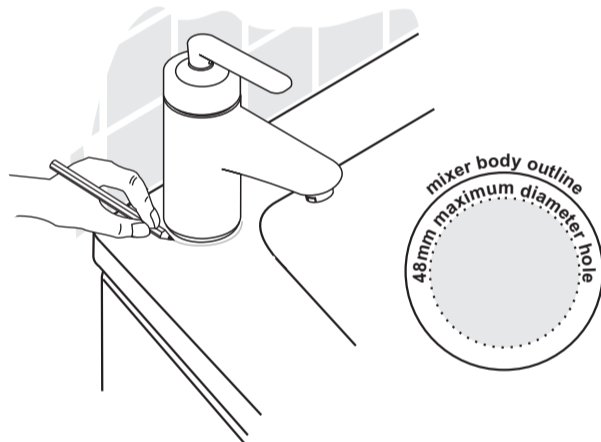


Figure 3 Drilling the bath tub

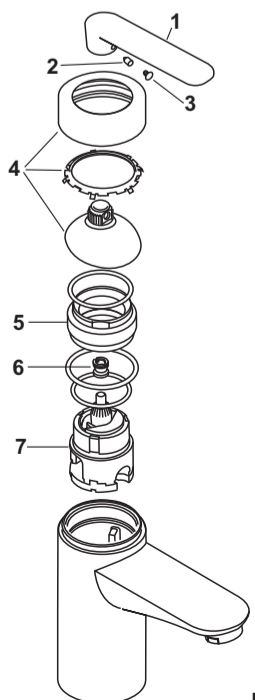
The one hole bath filler requires a bath supplied without tap holes. The installer will have to drill a 48mm diameter hole in the rim but before doing this it is worth considering the following questions.

- Will a shower screen, if fitted, foul the fitting?
- Is there adequate space for the handle rotation?

Check the position before fitting the inlet tails and draw a pencil line around the base of the mixer (Fig 3).

In the centre of the of the outline, drill a 48mm hole. (It is important not to exceed this size otherwise the sealing washer may not seal correctly.)

4 CARTRIDGE REPLACEMENT



1. Shut off the water supplies.
2. Raise lever handle and prise out index button (3).
3. Unscrew grub screw (2) and pull off handle (1). Unscrew retaining bezel, pull off friction ring and cap (4)
4. Unscrew the handle carrier (6)
5. Unscrew cartridge retaining nut (5)
6. Lift out the multiport cartridge (7)
7. Position replacement cartridge ensuring that the moulded location pin engages in the location hole and not in one of the inlet ports.
8. Refit locking nut (5) and tighten. The ideal torque is 4 Nm. This is only a little more than hand tight; indeed it is possible to tighten the nut sufficiently wearing stout gloves. If over-tightened the cartridge will be stiff to operate and will have a limited life.
9. Replace the handle components in reverse order.

Figure 4 Basin and Bath Mixers

5 OPERATION

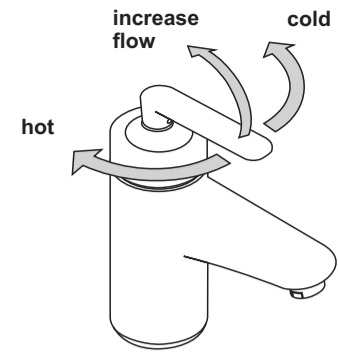


Figure 5 Operation

6 SPARE PARTS

- 1 E916532AA
- 3 A962311NU
- 4 A962312AA
- 6 A860786AA
- 7 A860655NU
- 8 A963372NU
- 9 A961863NU
- 10 A962715NU
- 11 A951970NU11
- 12 A962848NU
- 14 A963900AA
- 14a L6982NU
- 15 A961230AA
- 16 B964894NU
- 17 A960485NU
- 18 B960341NU
- 19 A962321AA
- 20 A963404NU

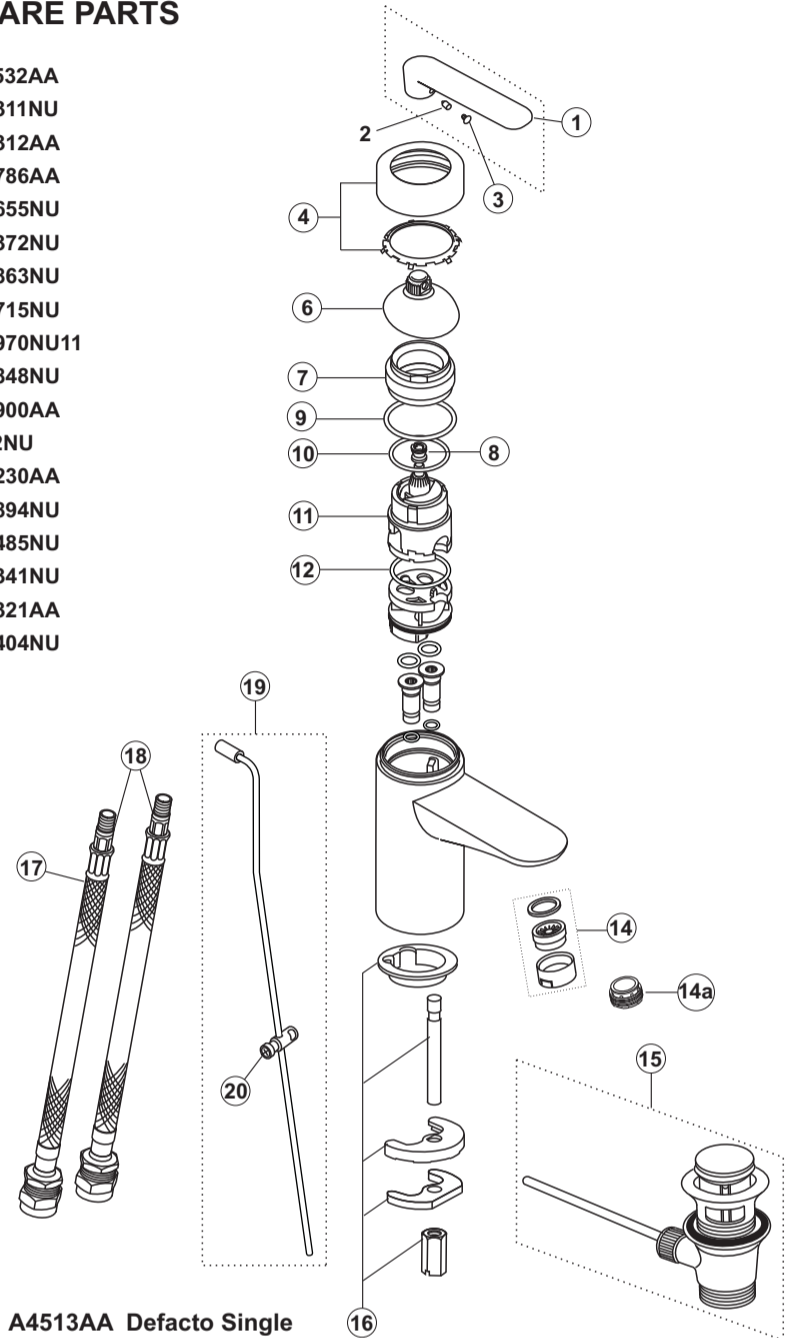


Figure 6 A4513AA Defacto Single Lever Basin Mixer

- 1 E916532AA
- 3 A962311NU
- 4 A962312AA
- 6 A860786AA
- 7 A860655NU
- 9 A961863NU
- 8 A963372NU
- 10 A962715NU
- 11 A951970NU11
- 12 A962848NU
- 14 A963900AA
- 14a L6982NU
- 15 A961230AA
- 16 B964894NU
- 17 A960485NU
- 18 B960341NU
- 19 E919692AA
- 20 A91722514
- 21 A924368NU
- 22 A917576NU

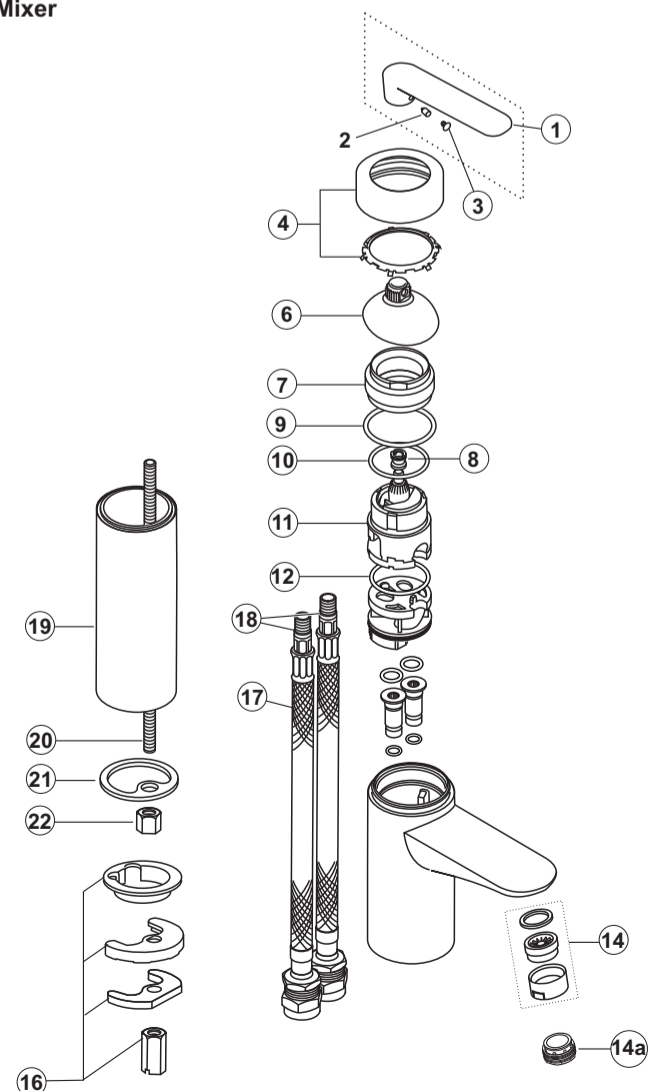


Figure 7 A4514AA Defacto Single Lever Vessel Basin Mixer