

2

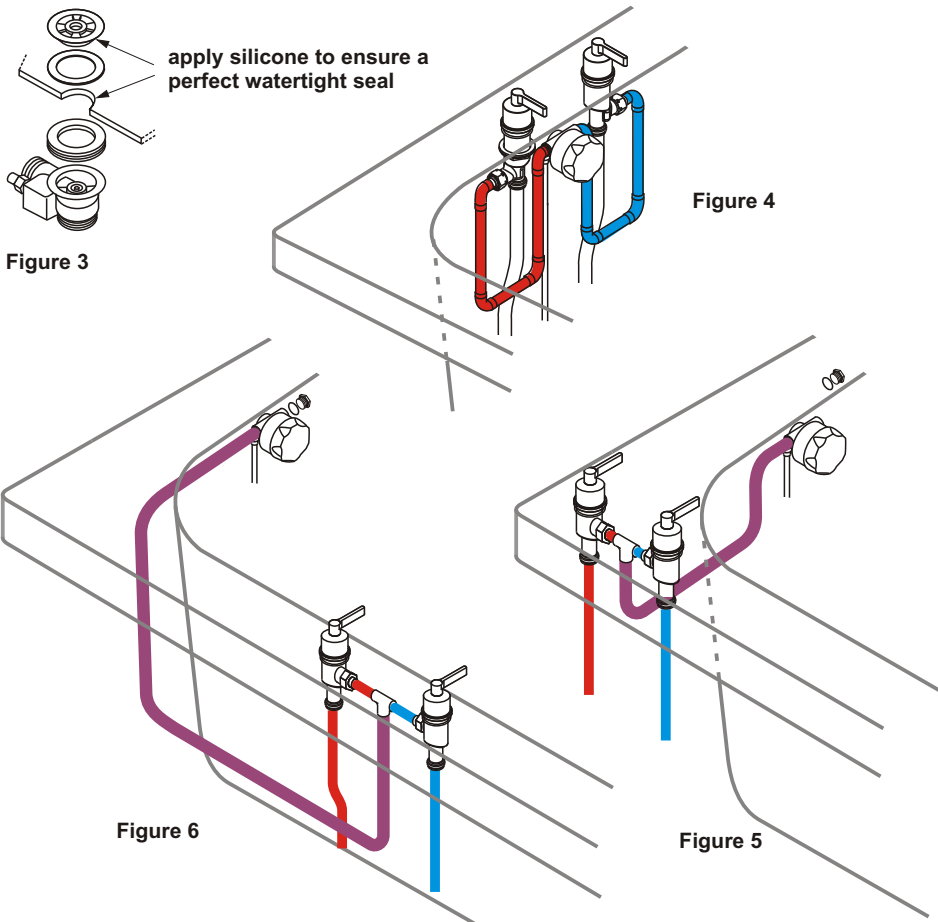
The fittings covered by this installation and maintenance instruction should be installed in accordance with the water regulations, therefore Ideal Standard would strongly recommend that these fittings are installed by a professional installer

INSTALLATION

It may prove easier to select a bath which does not have the tap holes pre-drilled. Drill the bath for the side valves using a Ø36mm hole cutter. Two common configurations are illustrated in Figures 5 & 6. If fitting to a predrilled bath the side valve outlets will have to be positioned outward. see Figure 4.

Connections to the hot and cold side valves are G $\frac{3}{4}$ male and a conventional tap connector should be used to connect to 22mm supply pipework.

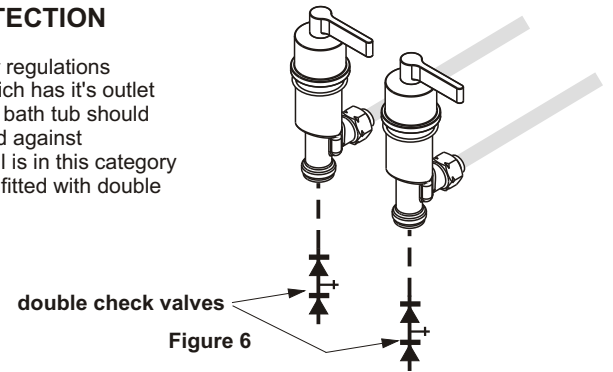
Flush water through the pipework to remove debris and flux residues before connecting to the mixer.



3

BACKFLOW PROTECTION

In domestic situations the water regulations require that any water fitting which has its outlet below the spill-over level of any bath tub should have the inlet supplies protected against backsiphonage. As the Idealfill is in this category both inlet valves will have to be fitted with double check valves on the inlets. See Figure 6.

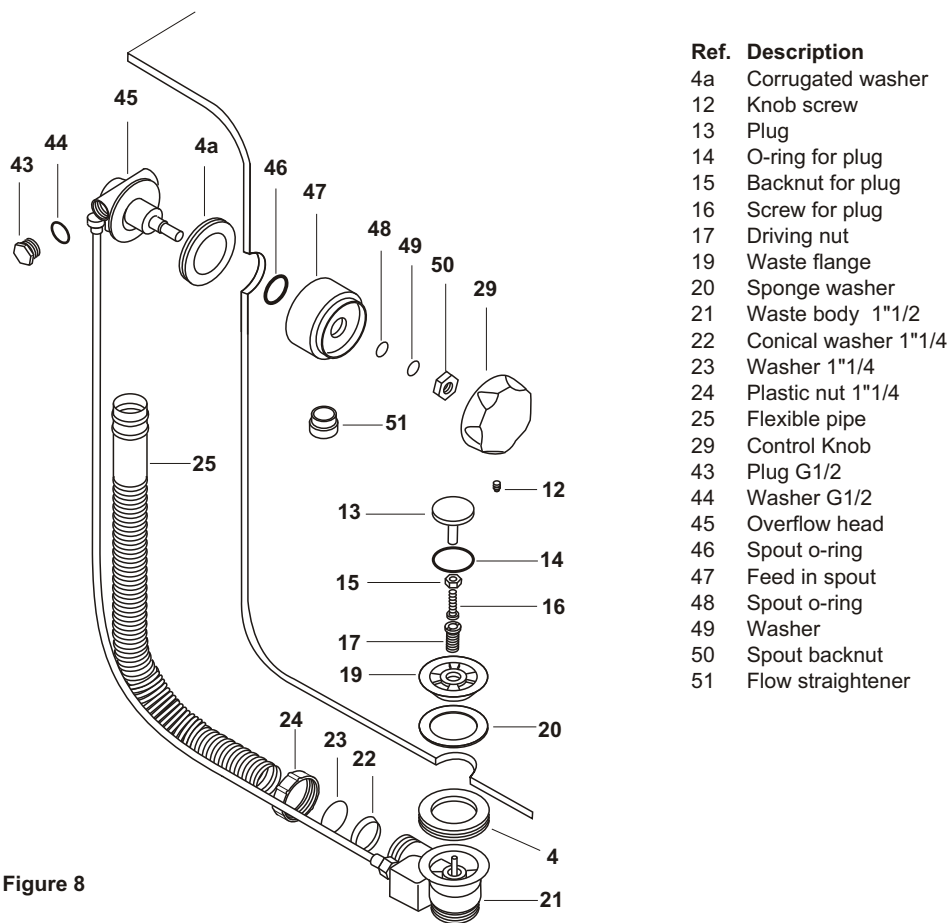


SPARE PARTS

Ref.	Description	Ref.	Description	Ref.	Description
1	Lever handle - Silver	1c	Lever pin	5b	Shroud - Alchemy
1a	Lever handle Cone	2	Handle fixing screw	6	Fixing set
1d	Lever handle - Alchemy	3	Drive insert	7a	Cartridge a/cw open Hot
1b	Grub screw	5	Shroud - Silver	7b	Cartridge cw open Cold
		5a	Base ring - Cone	8	Allen key

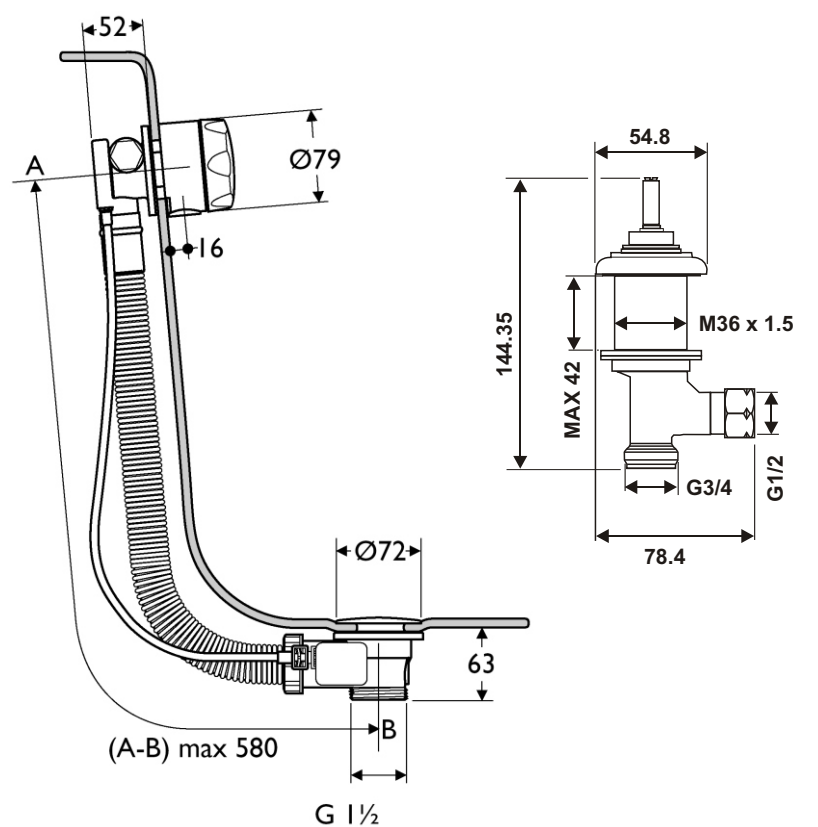
Ref.	Description	Ref.	Description	Ref.	Description
8	Allen key	1a	Lever handle Cone	1d	Lever handle - Alchemy
1	Lever handle - Silver	2a	Handle fixing screw	2a	Handle fixing screw
2	Handle fixing screw	3	Drive insert	2a	Handle fixing screw
3	Drive insert	4	O-ring	4a	Base ring - Cone
4	O-ring	5a	Shroud - Silver	5a	Shroud - Silver
5	Shroud - Silver	6	Fixing set	6	Fixing set
6	Fixing set	7a	Cartridge a/cw open Hot	7a	Cartridge a/cw open Hot
7a	Cartridge a/cw open Hot	7b	Cartridge cw open Cold	7b	Cartridge cw open Cold
7b	Cartridge cw open Cold				

4



Ref.	Description
4a	Corrugated washer
12	Knob screw
13	Plug
14	O-ring for plug
15	Backnut for plug
16	Screw for plug
17	Driving nut
19	Waste flange
20	Sponge washer
21	Waste body 1"1/2
22	Conical washer 1"1/4
23	Washer 1"1/4
24	Plastic nut 1"1/4
25	Flexible pipe
29	Control Knob
43	Plug G1/2
44	Washer G1/2
45	Overflow head
46	Spout o-ring
47	Feed in spout
48	Spout o-ring
49	Washer
50	Spout backnut
51	Flow straightener

IDEALFILL BATH FILLERS Installation Instructions



CLEANING

When cleaning the fittings always use soap based cleaners. Never use abrasive or scouring powders and never use cleaners containing alcohol, ammonia, nitric acid, phosphoric acid or disinfectants.

CUSTOMER CARE HELP LINE
0870 129 6085

CUSTOMER CARE FAX
01482 499611

E-MAIL
UKcustcare@IdealStandard.com

Ideal Standard pursues a policy of continuing improvement in design and performance of its products. The right is therefore reserved to vary specification without notice.

Ideal Standard is a division of Ideal Standard (UK) Ltd

Ideal Standard
The Bathroom Works, National Avenue
Kingston-upon-Hull, HU5 4HS England

4699 04/08

E96565200

E6791AA Idealfill Combined Bath Filler, Waste & Overflow
A3998AA Silver Idealfill Sidevalves
A4021AA Cone Idealfill Sidevalves
A3997AA Alchemy Idealfill Sidevalves

Installer :
After installation please pass this instruction leaflet to the user