

# **820, 880 & 1100mm IN WALL MOUNTING FRAME FOR WALL HUNG WC**

**(6 Litre Dual Flush Pneumatic Operation)**

---

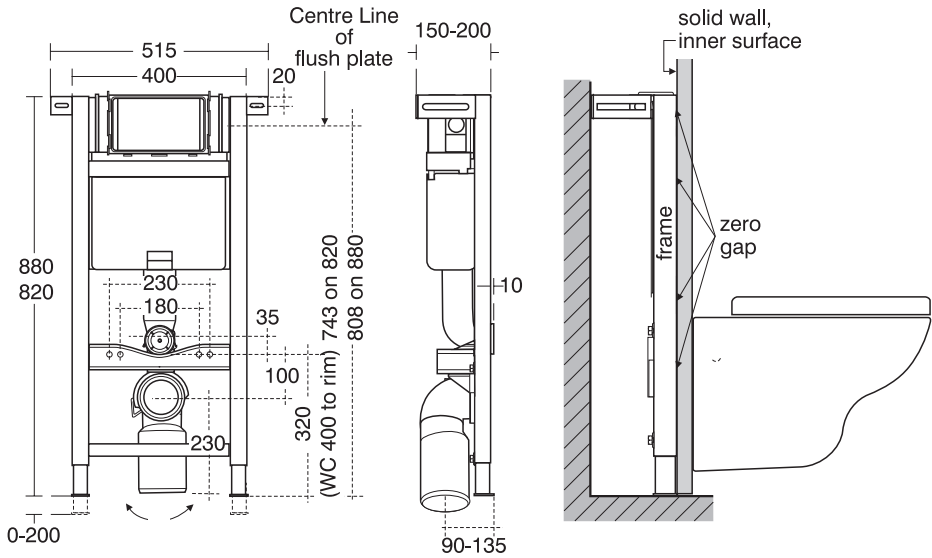


## **ASSEMBLY & INSTALLATION INSTRUCTIONS**

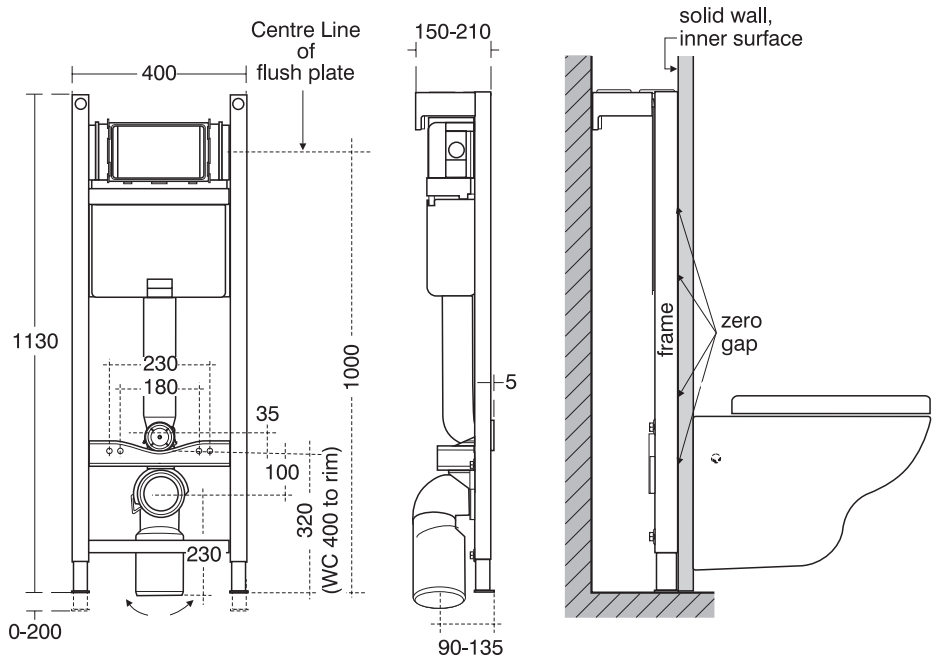
---

## TECHNICAL INFORMATION

### 820 - 880 FRAMES



### 1100 FRAME



## General

|   |                  |
|---|------------------|
| LH or RH water supply connection<br><i>All frames come ready for RH connection</i>            | <b>Section 1</b> |
| Top or front push button operation<br><i>All frames come with front operation as standard</i> | <b>Section 2</b> |
| Fitting of frame  | <b>Section 3</b> |
| Fitting of pan  | <b>Section 4</b> |
| Fitting of flush plate  | <b>Section 5</b> |

**Prior to commencing, you will need to decide on the options available in Sections 1 & 2.**

**NOTE:-**

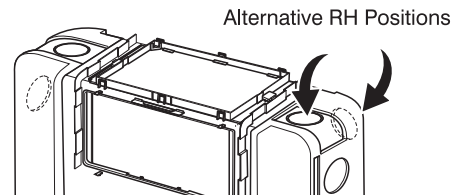
**For frames to operate correctly the static water pressure needs to be between 0.5 to 16 Bar**

## Section 1

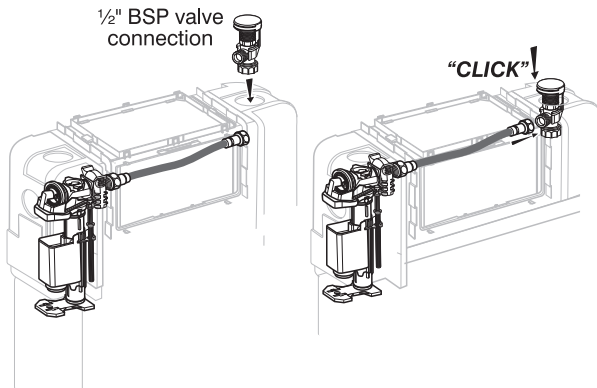
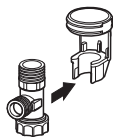
### RH Water Supply Connection

The In Wall frames come pre-fitted to give either RH Top, RH Side or RH Rear supply.

The choice of top, side or rear is determined by removal of a knock-out disc.



To complete the water supply assembly, attach the isolation valve, (supplied) and **“CLICK”** valve into chosen connection hole then connect flexible hose.

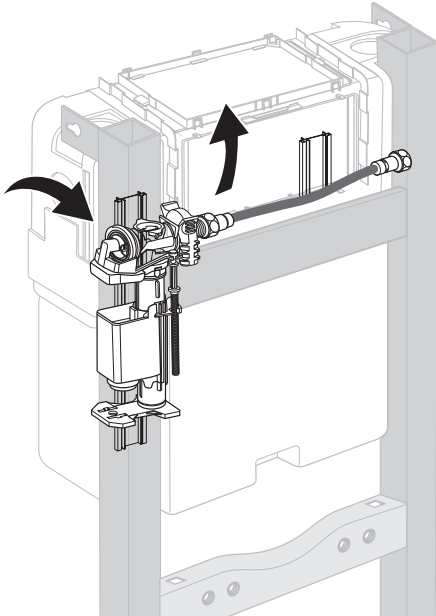


## LH Water Supply Connection

To convert to LH top or side supply, (LH rear not available) remove the appropriate knock-out disc and carry out the following :-

### Step 1

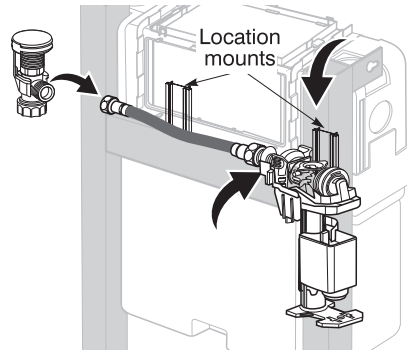
Remove the inlet valve by holding the body of the valve, tilting forward slightly and lifting.



### Step 2

Fit the inlet valve on the location mounts on the RH side back wall of the tank.

To complete the water supply assembly, attach the isolation valve, (supplied) and "CLICK" valve into chosen connection hole then connect flexible hose.



### Step 3

Carry out steps 1 and 2 above in reverse order.

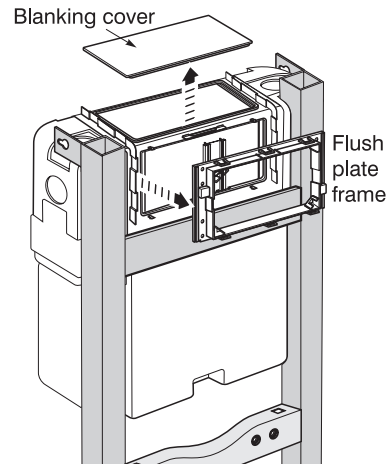
## Section 2

### Top or Front Push Button Operation

The In Wall frames come pre-fitted for front operation. To convert to top operation, carry out the following.

#### Step 1

Remove blanking cover.

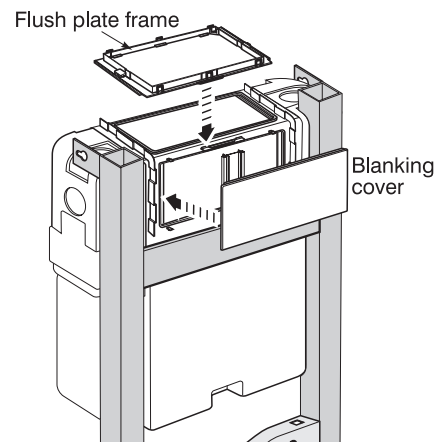


#### Step 2

Remove flush plate frame by releasing the 4 holding clips and pulling forward,

#### Step 3

Fit flush plate frame in top position locking into fixing clips.



#### Step 4

Fit blanking cover to front opening.

## Section 3

### Fitting of Frame

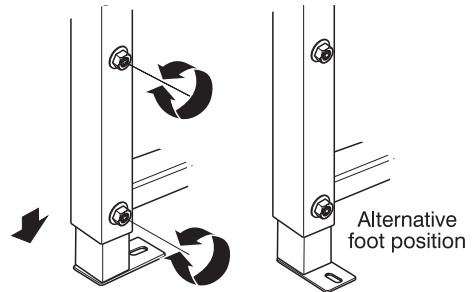
On completing any changes identified in Sections 1, and 2 the frame can now be fixed in position.

#### Step 1

Set height of waste outlet, (to suit recommended pan rim height) by adjusting the two legs and lock in position using the locking screws.

#### Note :-

*The two legs can be removed and rotated to give an alternative position for the foot plate.*

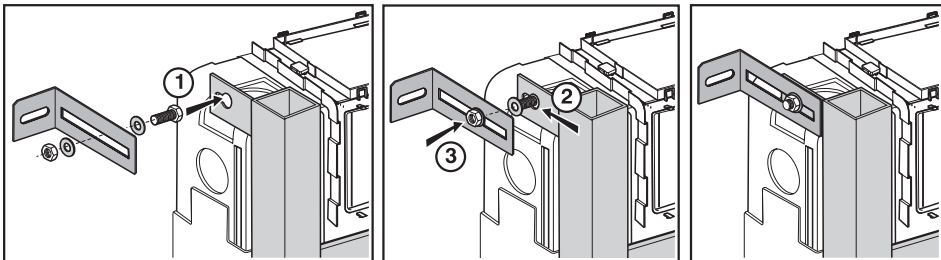


#### Step 2

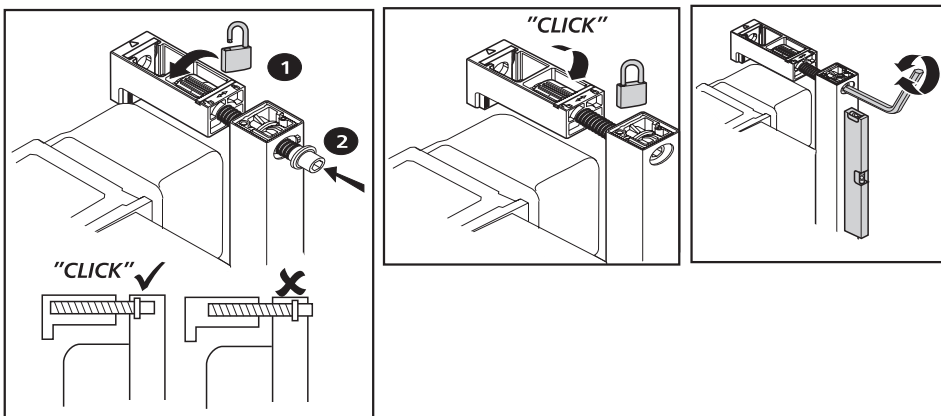
Fix floor and wall mountings to a substantial substrate to prevent any movement of the frame, using appropriate fixings (not supplied).

Set the distance from the rear wall using the adjustable wall brackets.

#### 820 - 880 Frames



#### 1100 Frames



## Fitting of Frame continued

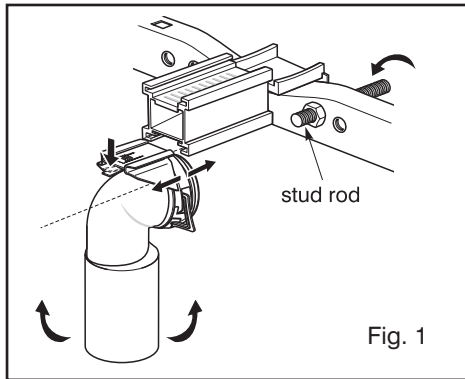
### Step 3

Connect mains water supply to isolation valve, ensuring the isolation valve is turned off.

### Step 4 (see Fig. 1)

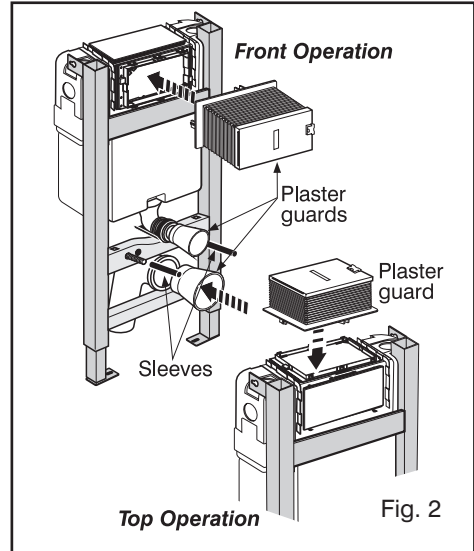
Fit waste to mains waste, the outlet bend position is adjustable.

Obtain the pan fixing centres from the pan instruction, (supplied separately), screw the 2 stud rods into the appropriate frame fixing holes leaving 100 to 150mm projection to the front of frame.



### Step 5 (see Fig. 2)

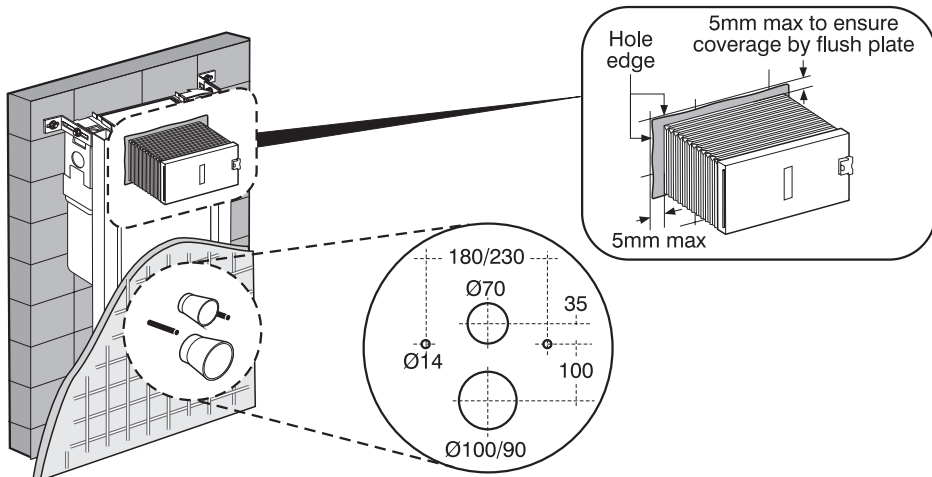
Fit plaster guards and sleeves.



### Step 6

The front wall can now be installed making the necessary cut-outs to suit the plaster guards and the surface finished.

**Note :-** The rear wall must be of solid construction and the frame **MUST** be touching the back face of the front wall to stop any movement of the wall after assembly.

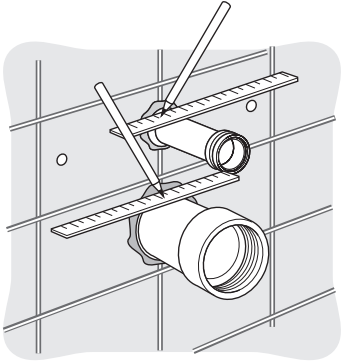


## Section 4

### Fitting of pan

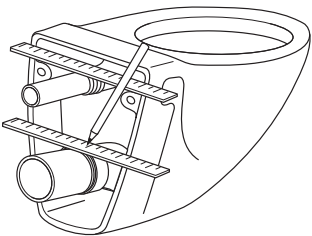
#### Step 1

Remove plaster guards from pan inlet and outlet connections. Attach pipes into frame and mark flush with wall (a)



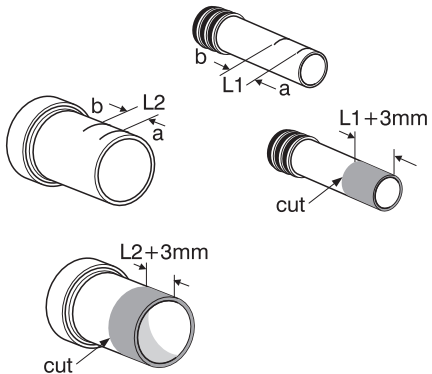
#### Step 2

Attach pipes into pan and mark flush with back of pan (b).

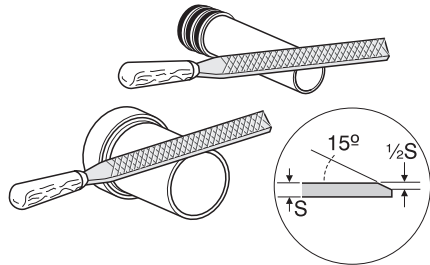


#### Step 3

Cut flush pipe and waste pipe to size.



#### Step 4



#### Step 5

Remove sleeves and cut mounting studs to size





## Fitting of pan continued

### Method 1

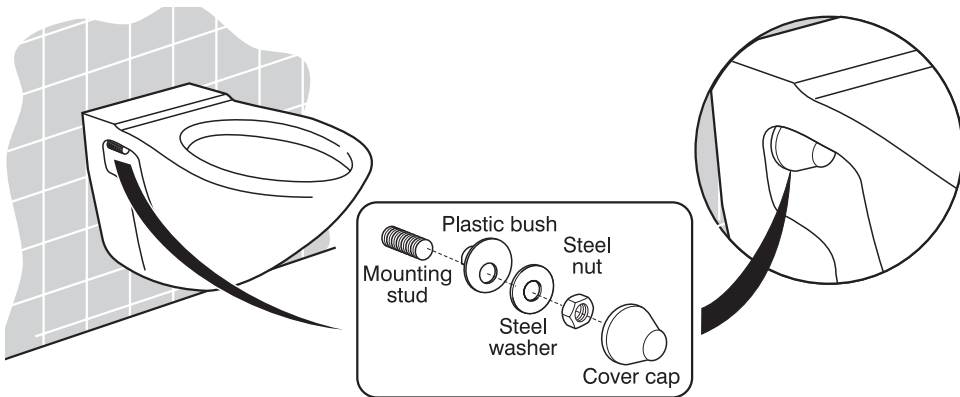
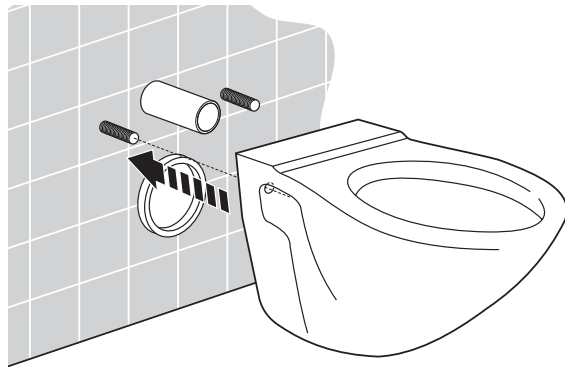
Insert waste pipe into the fixed waste bend on the wall frame.

Fit flush pipe with sealing connector into inlet on wall frame.

Lubrication may be needed.

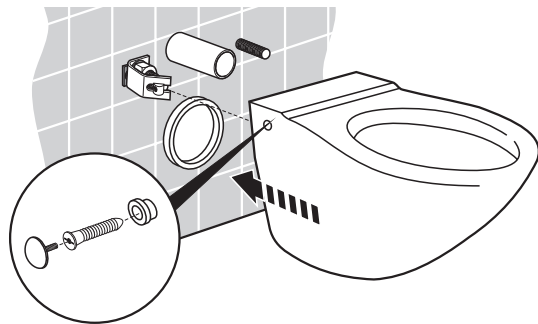
Locate WC onto mounting studs, whilst securing waste pipe and flush pipe in position.

Fix WC to mounting studs using components supplied



### Method 2

*For alternate fixing methods, please refer to instructions supplied with the wc pan.*



## Check for leaks

***With all pan connections made, turn water supply on, allow tank to fill and flush operating mechanism by hand, check for leaks.***

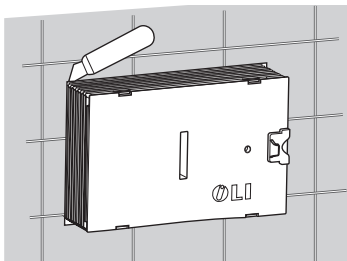
## Section 5

### Fitting of Flush Plate

Front and top operation flush plates **with** mounting frame

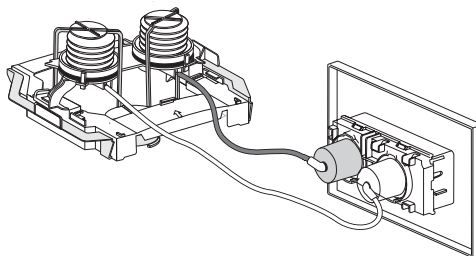
#### Step 1

Trim flush plate plaster guard level with wall or unit top.



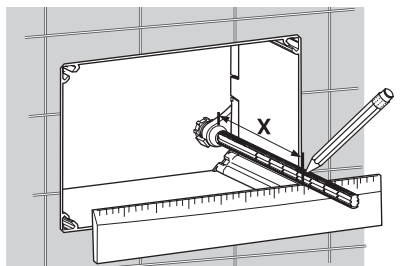
#### Step 4

Fit pneumatic tubing to bellows housing and flush plate.



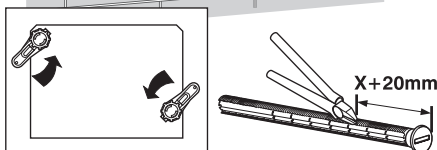
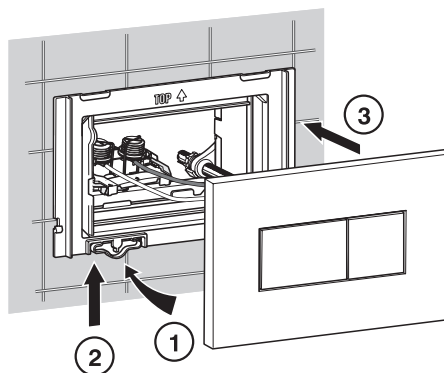
#### Step 2

Position fixing mounts and cut rods to size.



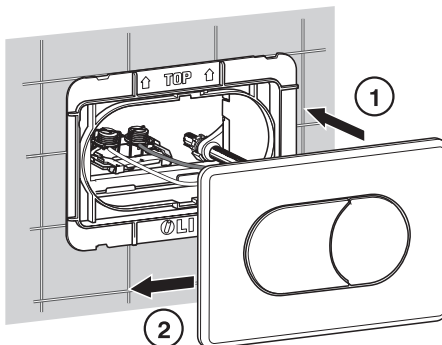
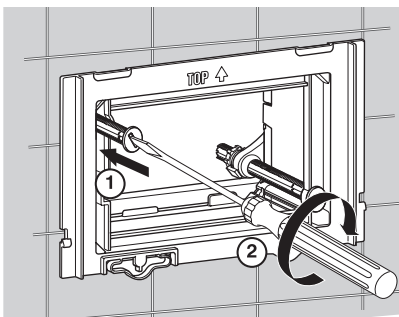
#### Step 5

Fit flush plate.



#### Step 3

Fit flush plate mounting frame.

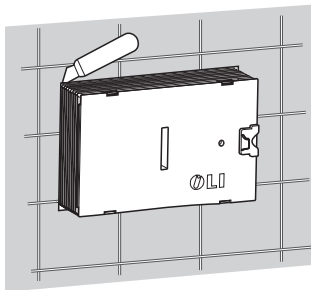


## Fitting of Flush Plate

Front and top operation flush plates *without* mounting frame

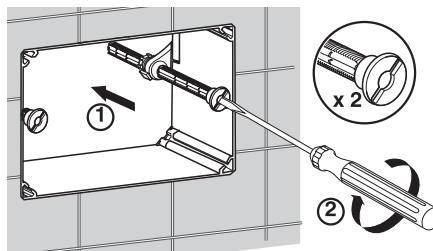
### Step 1

Trim flush plate plaster guard level with wall or unit top.



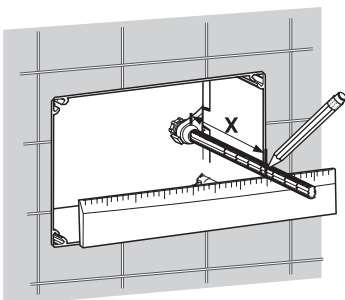
### Step 3

Fit fixing rods with head flush with front face of opening.



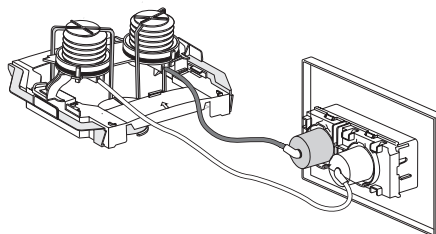
### Step 2

Position fixing mounts and cut rods to size.



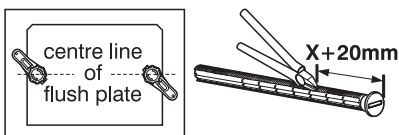
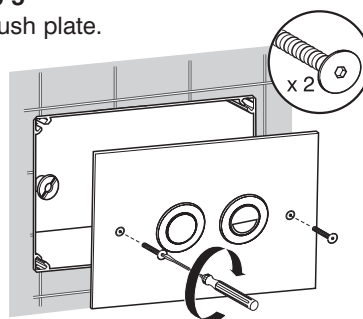
### Step 4

Fit pneumatic tubing to bellows housing and flush plate.



### Step 5

Fit flush plate.



**CUSTOMER CARE HELPLINE**  
**0870 1296085**  
**CUSTOMER CARE FAX LINE 01482 499611**  
**email : ukcustcare@idealStandard.com**

We pursue a policy of continuing improvement in design and performance of our products.  
The right is, therefore, reserved to vary specifications without notice.

5001 12/12