

CLOSE COUPLED CLOSET SUITES

Installation Instructions

GENERAL INFORMATION

The **closet bowl** should be connected to the soil pipe by a purpose made connector. The WC suite is designed to meet current Water Regulations.

WARNING: Do not bed closet bowl to the floor with cement mortar otherwise the closet foot could split after installation.

CISTERN COMPONENTS if these are pre-fitted, check all joints to ensure they are watertight.

SERVICING VALVES The Water Regulations have a requirement to fit a servicing valve adjacent to the cistern. This is to enable the water supply to be shut off,

if required without shutting off the supply to other appliances.

CLOSET SEAT It is recommended that fitting the closet seat be the last operation in the bathroom. This will minimise the risk of scratching the seat when tiling etc.

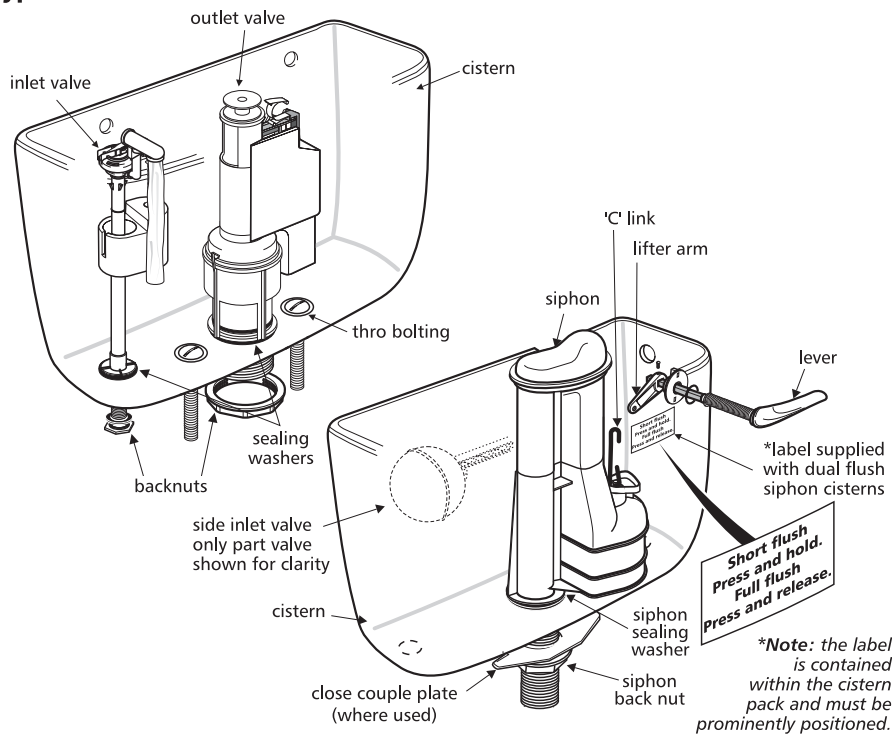
ALL JOINTS needing to be watertight are supplied with rubber gaskets.

Waterproof sealant **MUST NOT BE USED** to seal, as this will have a detrimental effect on all submerged rubber seals.

INSTALLATION

Diagrams below are pictorial only and outlines of items shown may not represent the actual pieces supplied.

Typical assemblies



Preparing cistern for fitting to closet bowl Using close coupling plate, Figs. 1a & 1b.

Push sponge close coupled washer onto back nut, this ensures centralisation before offering up to closet.

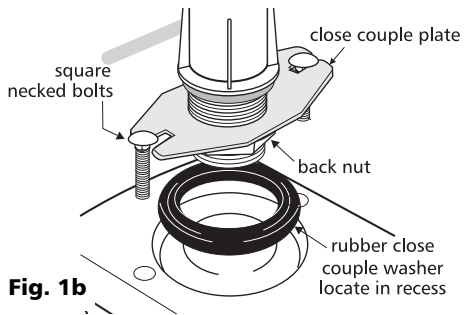
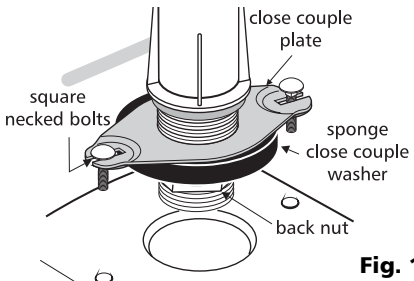


Fig. 1b

Preparing cistern for fitting to closet bowl Using thro' bolt fixing, Figs. 1c, 1d & 1e.

Push sponge close coupled washer onto back nut, this ensures centralisation before offering up to closet.

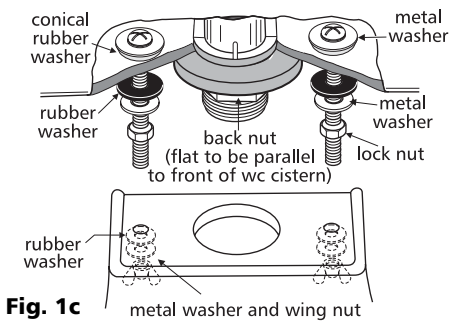


Fig. 1c

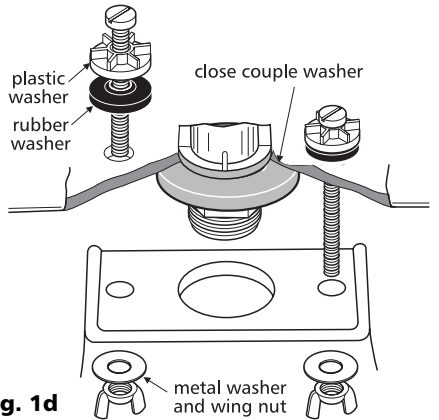


Fig. 1d

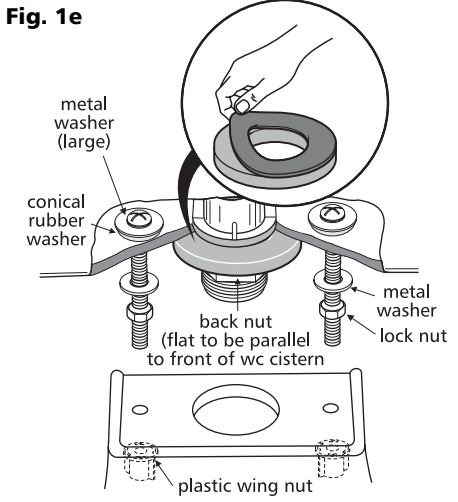


Fig. 1e

Lower cistern onto closet bowl, and apply wing nuts to bolts and tighten by hand, Fig. 2.

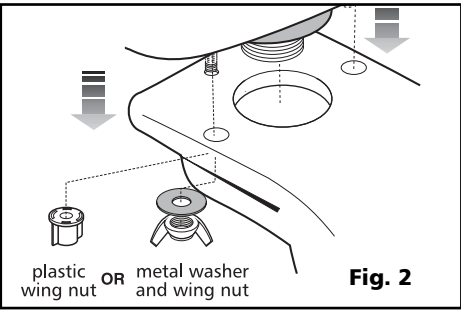
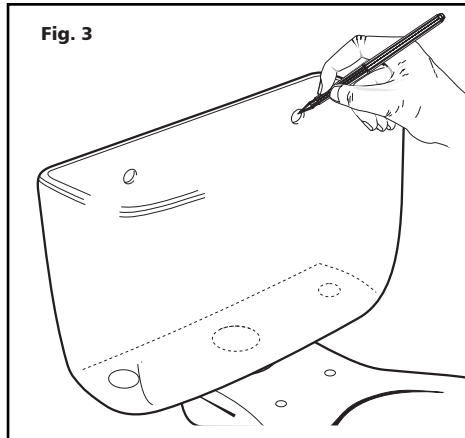


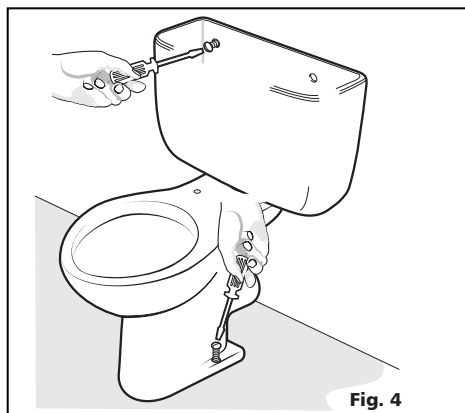
Fig. 2

Locate closet suite to wall, figure 3.

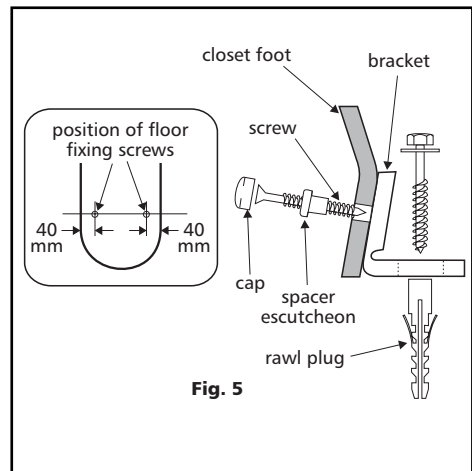
With cistern lid removed mark cistern screw hole positions on wall. Remove closet suite, drill and plug wall.



Reposition closet suite, figure 4, to wall, make connection to soil system and screw closet bowl to floor and cistern to wall, (screws not supplied).

**For closet suites supplied with their own individual floor fixation kit.**

Place the suite up to the wall in the required position and mark the outline of the closet bowl on the floor. Mark on the floor at both sides of the closet bowl, the position of the screw holes in the closet foot. Remove closet bowl, draw a line on the floor joining the marks which indicate the screw hole positions. Mark the position for the two fixing screws 40mm in from the line drawn around the closet, drill, plug and fit brackets to foot, figure 5.



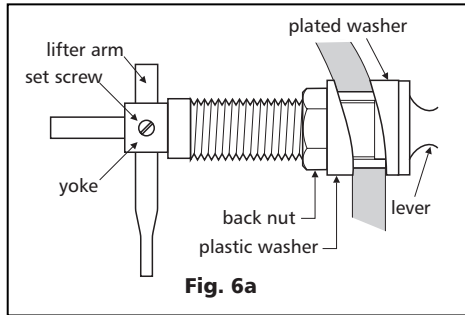
Connect float operated fill valve to water supply pipework, adjust fill valve to give correct water level as marked on cistern.

Fit outlet valve push button assembly (where applicable) to cistern lid. Refer to separate push button instructions.

Flush the closet suite and check connections for leaks.

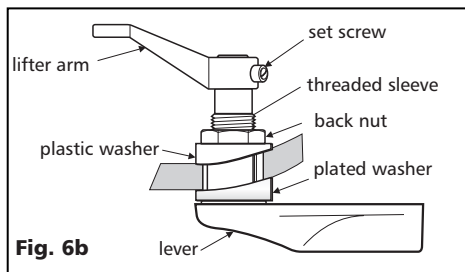
An operating lever (where applicable) is supplied to suit the closet suite. Follow appropriate instructions below. With all operating lever assemblies, ensure that the lever moves freely.

Front Operating Lever (Fig. 6a)



Insert the lever with plated shaped washer, into the hole in the cistern with the handle to the right. Place the internal shaped washer onto the spindle, fit the back nut but do not fully tighten. Connect the lower hole of the adjustable operating lifter arm to the 'C' link. Connect the yoke to the lever spindle. Slide the arm through the yoke. Adjust the length of the arm so it just clears the top of the siphon when the lever assembly is operated. Insert the plastic pin through the appropriate hole in the yoke and arm. Tighten the lever set screw. Adjust the shaped washer for correct fit and tighten the back nut.

Fig 6b shows fixed lift arm variant of above.



Front Operating Lever

(Figs. 6c, 6d & 6e)

Insert operating lever with threaded sleeve into hole in cistern and secure with plastic nut. Connect lifter arm to siphon 'C' link and place on lever spindle/shaft, line up lifter arm with centre line of siphon and tighten screw.

