



# **BATHSCREEN PANEL**

UK - MANUAL FOR USE, INSTALLATION and MAINTENANCE

---

### Notes on this Manual

Partial or total reproduction or copying of this manual without the permission of the manufacturer is prohibited. The contents of this manual are subject to change without no advance notice. Every effort has been made in preparing this manual to ensure the accuracy of its contents. However, if you have any questions or discover any errors, please contact the manufacturer. The manufacturer shall not be held liable for consequences arising from use of the product. The drawings and diagrams contained in the manual are to be considered approximate and are provided only for information.



The Manufacturer recommends **CAREFULLY** reading this booklet.



## Sales Rules and Regulations

The manual is provided together with the product and must be kept for future consultation during the entire life of the product and must be transferred to any product owner or installer.

The product must be installed without any modifications, under penalty of warranty cancellation. The assembly procedures, tools and materials that are indicated must be respected.

The product was designed and built for installation on a masonry wall: if installed on another type of wall (ex. plasterboard, wood etc.), the installer is responsible for providing reinforcement to ensure the secure installation of the product.

For silicon sealing, use acetic silicon.



When installation is complete, remove all packaging items and installation waste according to the current regulations of the country of product use.



## Routine Maintenance for Bath Screen

### **Routine Maintenance for Bath Screen and Visible Parts**

Limescale and aggressive detergents may make the surface of the shower box opaque over time.

We suggest the following:

Never use powder detergents. Liquid detergents may be used if they are free of alcoholic substances.

Never use products such as ammonia, acetone, alcohol and the like because they may permanently damage the shower box.

---

# GUIDE TO INSTRUCTION

**1**

Installation PHASE

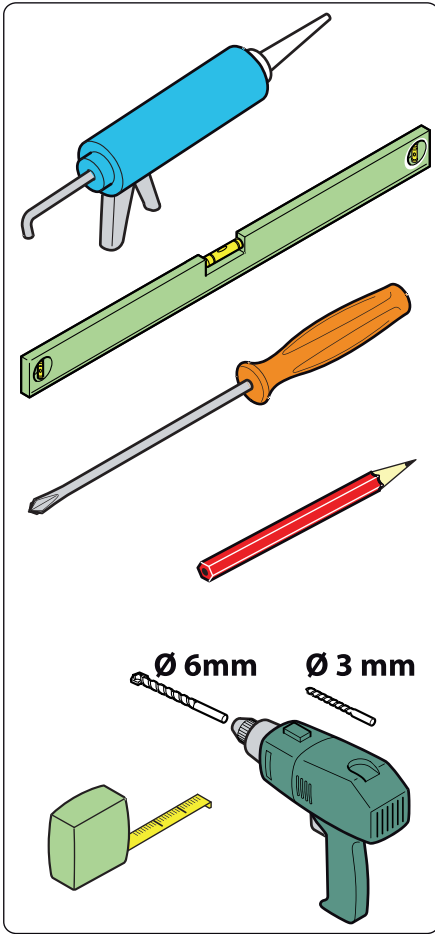
**1**

**2**

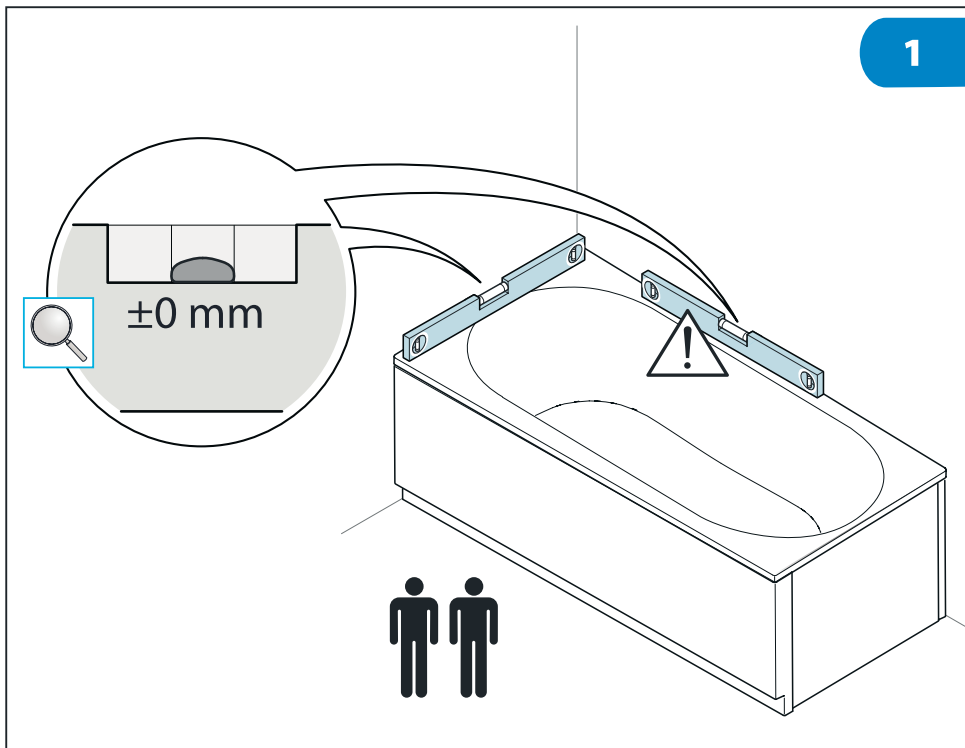
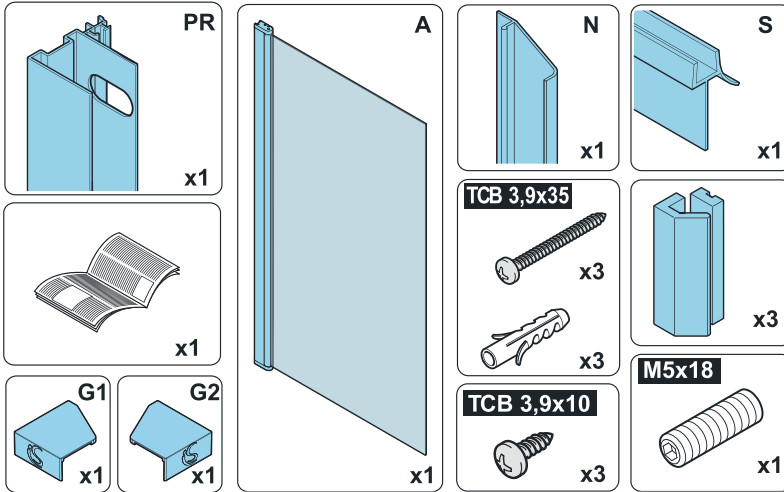
sequence of the OPERATIONS to be performed during a PHASE

**PR2**

component identification

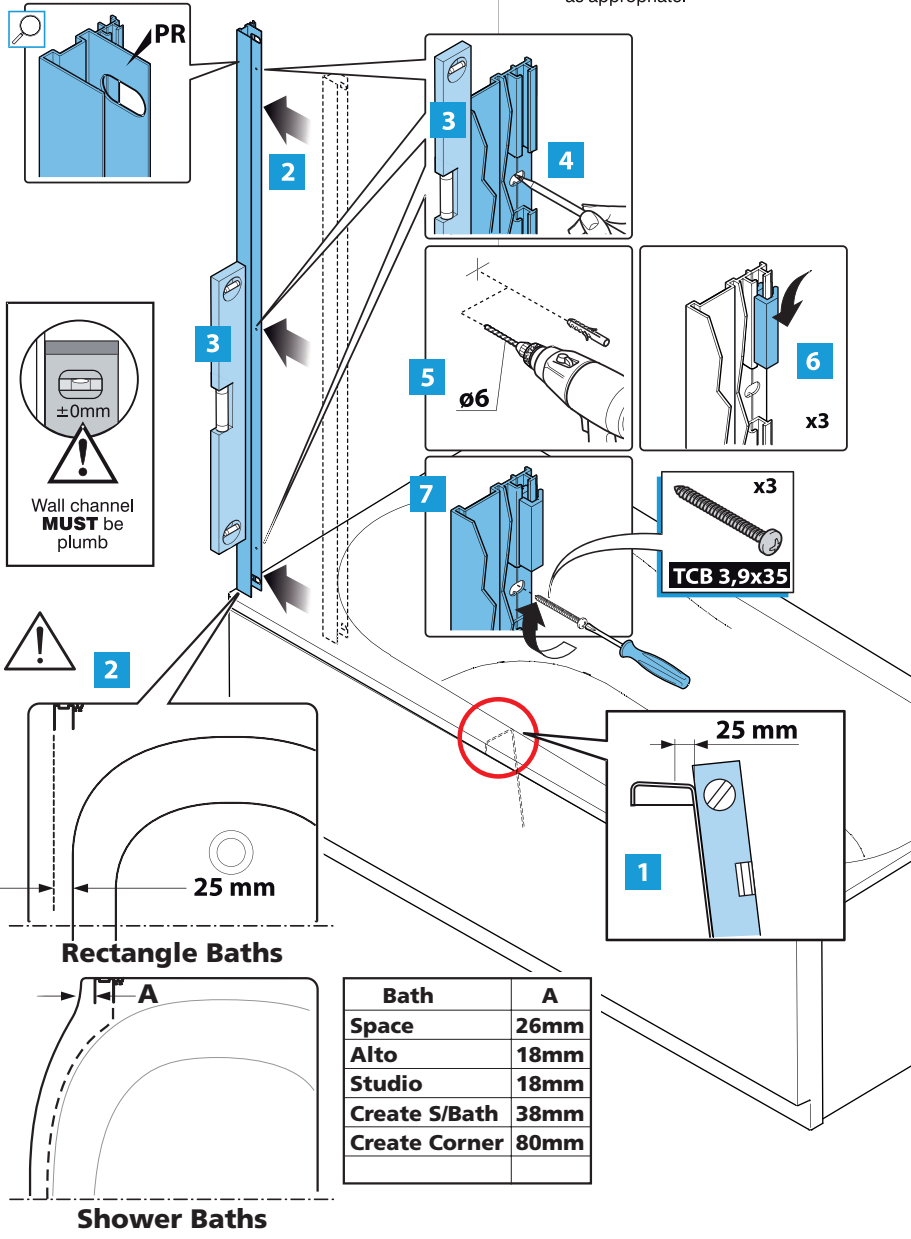


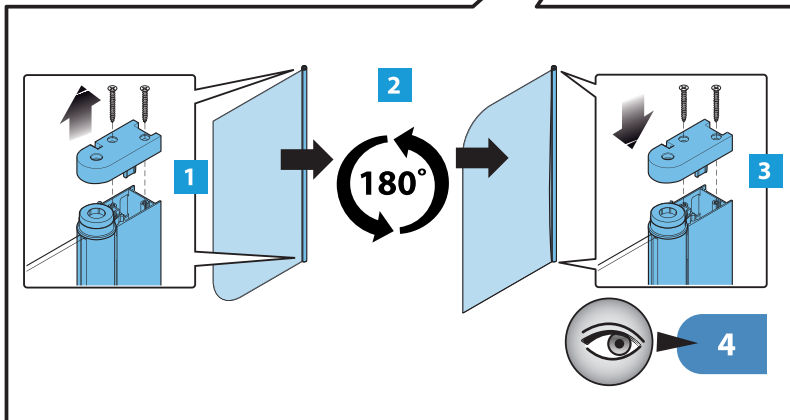
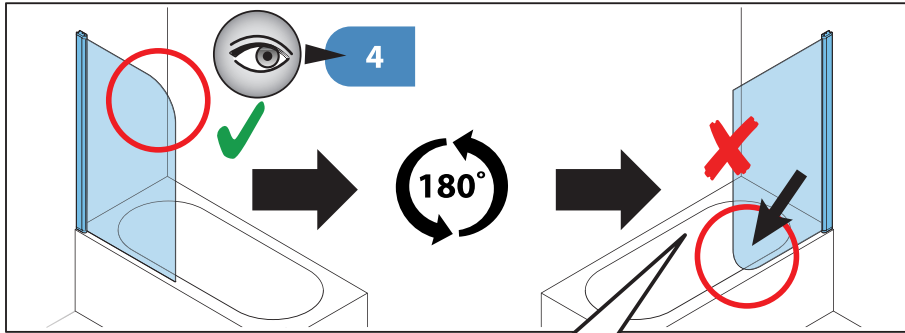
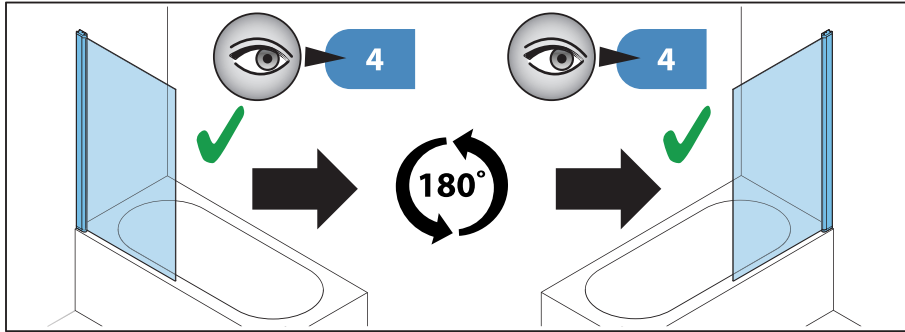
## Components



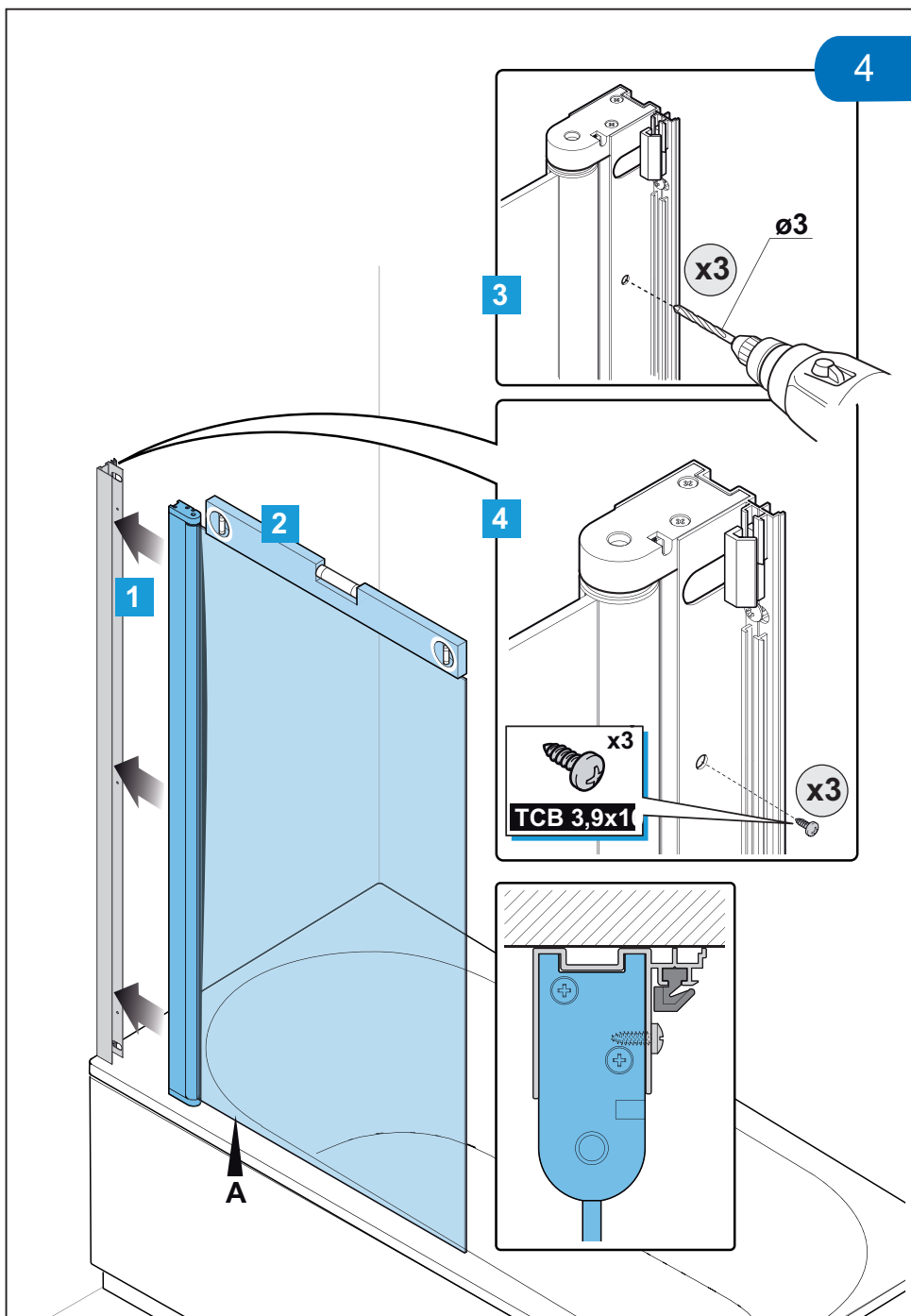
2

**Note:**  
The wall fixings and screws supplied are suitable for solid wall construction. Substitute for suitable fixings as appropriate.



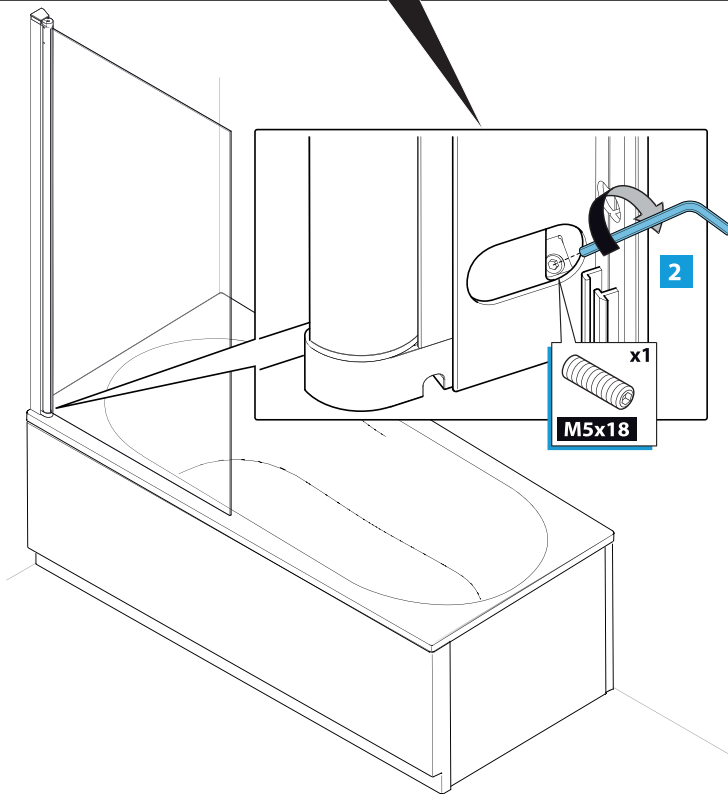
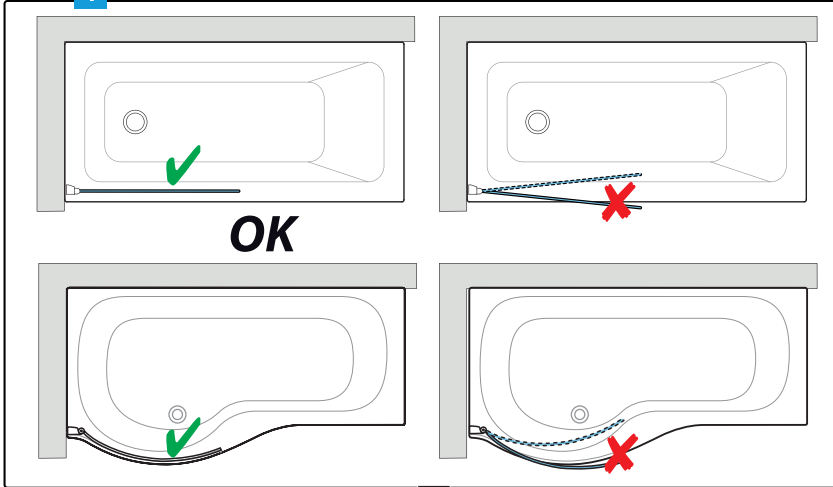


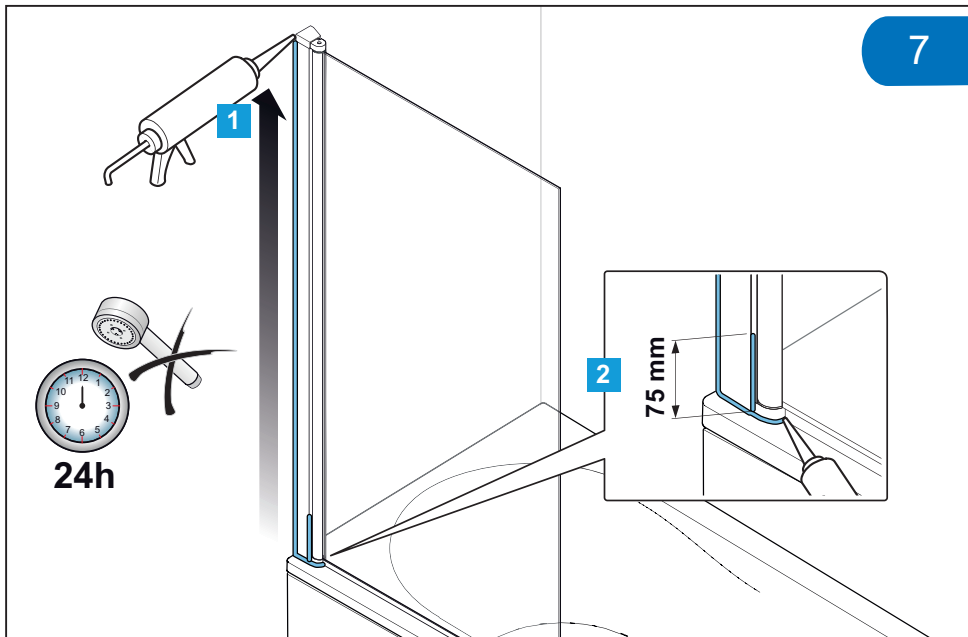
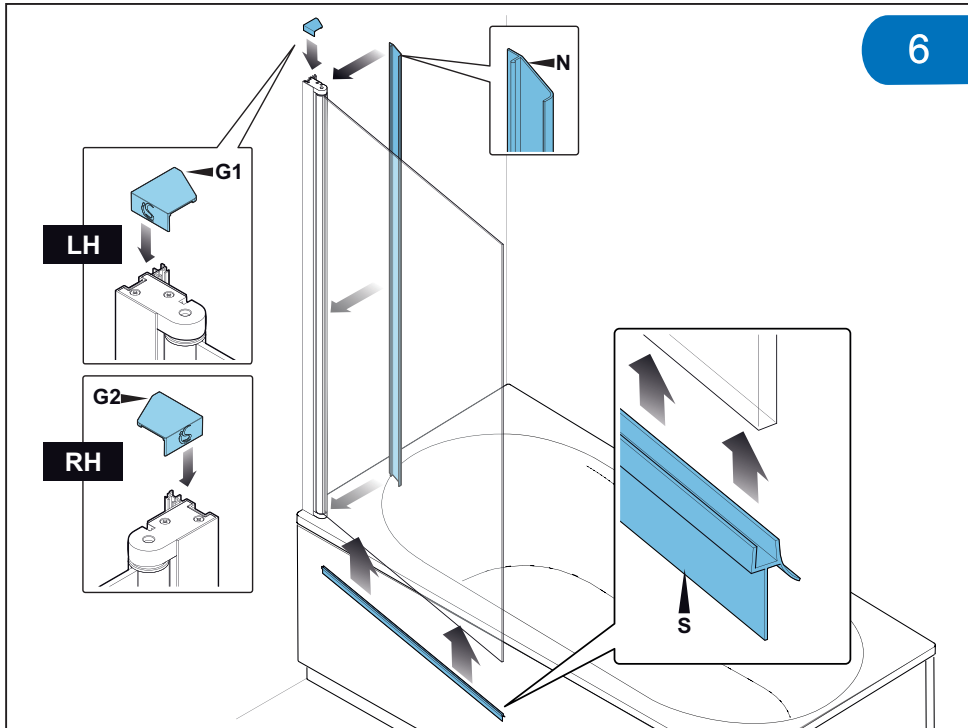




5

1







The Bathroom Works  
National Avenue  
Kingston upon Hull  
HU5 4HS England  
Telephone: (01482) 346461  
Telefax: (01482) 445886.

**CUSTOMER CARE HELPLINE**  
**0870 1296085**  
**CUSTOMER CARE FAX LINE 01482 499611**  
**email: [ukcustcare@IdealStandard.com](mailto:ukcustcare@IdealStandard.com)**

Ideal Standard pursues a policy of continuing improvement in design and performance of its products.  
The right is, therefore, reserved to vary specifications without notice.

5072 06-15  
**EE72695167**