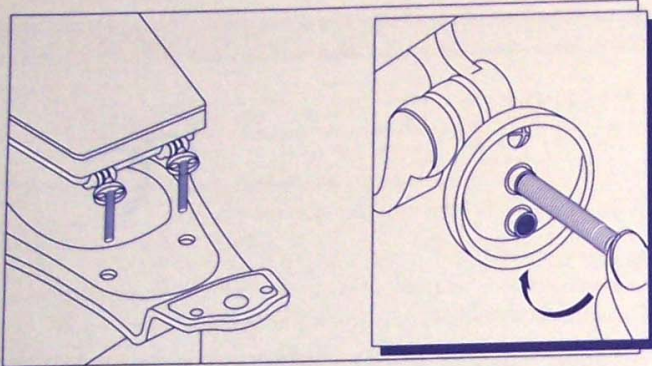


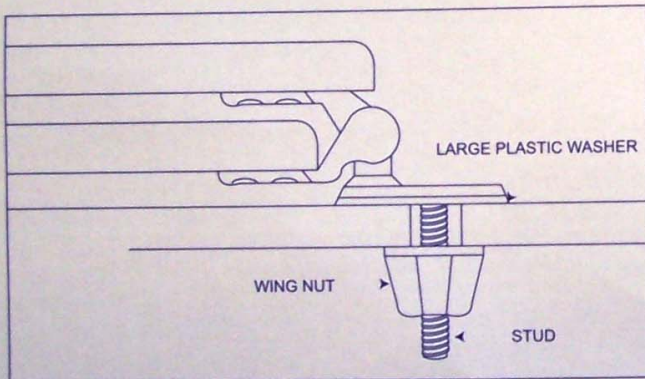
1



- a** Insert stud (Part No. 1) into centre hole on the hinge assembly.
- b** Slide large plastic washers (Part No. 2) onto the studs and insert complete studs onto mounting holes in the W.C. pan.



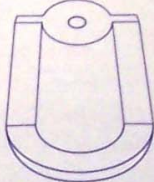
Note correct order of components for assembly.

2



- a** Loosely assemble stud and wing nut (Part No. 3) on the underside.
- b** Check visually that seat and cover are located evenly on the W.C. Hinge is designed to swivel. This is to get most desired fit on the particular pan chosen. Adjust to suit your requirements and fully tighten screw.
- c** When satisfied that the seat and cover are properly located, tighten the wing nuts firmly by hand.

## PARTS LIST

DESCRIPTION OF CONTENTS	PART No.	QTY
 BRASS STUD	1	2
 LARGE PLASTIC WASHER	2	2
 WING NUT (SHAPE MAY VARY)	3	2