

CAUTION

Whenever a **BLOW LAMP** is being used during the plumbing operation, care must be taken to ensure the flame is not directed on the bath.

Do not allow **PAINT STRIPPERS** etc. to come into contact with the bath.

PROTECT BATH completely during and after installation using clean felt etc.

Baths fitted in **NEW HOUSES** may be subject to settlement after a period of time and the feet may require adjustment.

CREATE SHOWER IDEALCAST BATH



The Bathroom Works,
National Avenue,
Kingston upon Hull,
HU5 4HS,
England.
Telephone: (01482) 346461
Telefax: (01482) 445886.

**CUSTOMER CARE HELPLINE
0870 1296085**

**CUSTOMER CARE FAX LINE 01482 499611
email: ukcustcare@idealstandard.com**

Ideal Standard pursues a policy of continuing improvement in design and performance of its products. The right is, therefore, reserved to vary specification without notice.

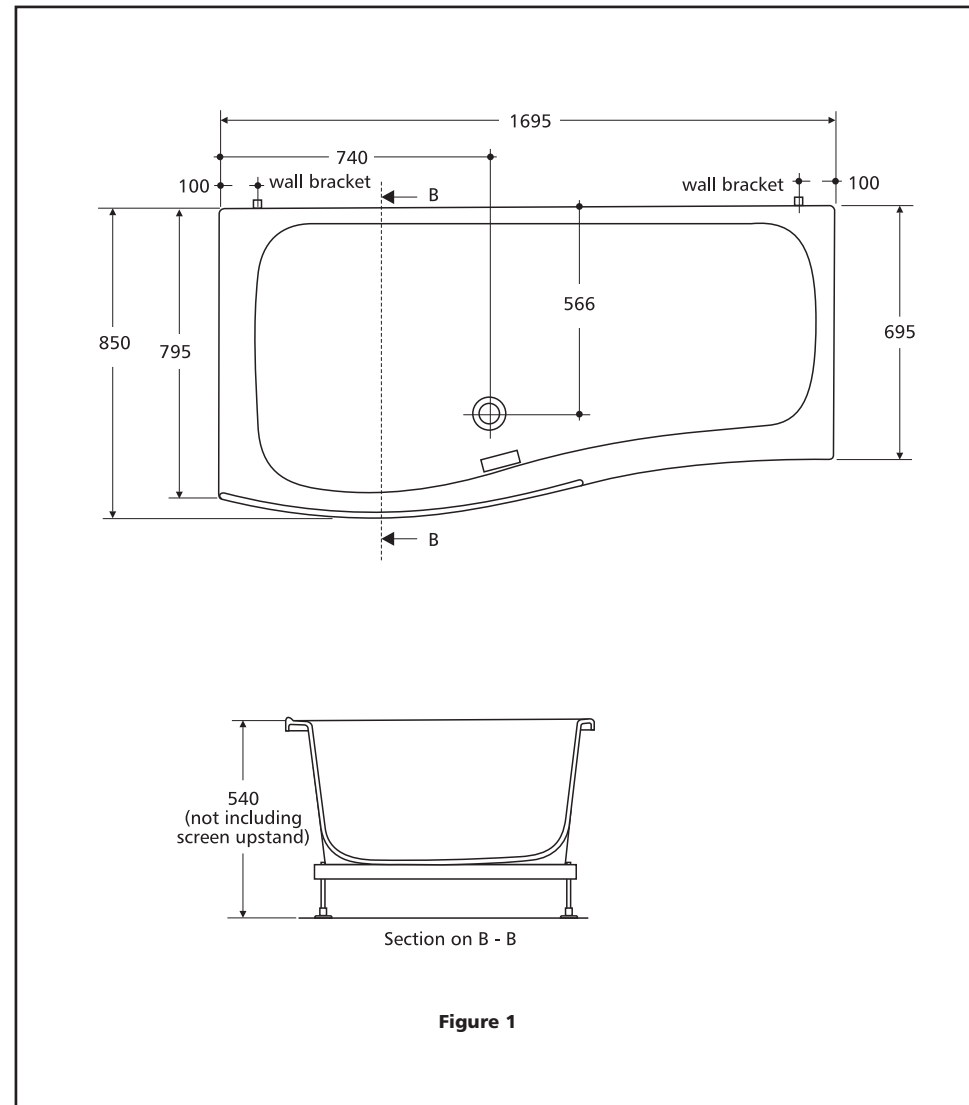
Ideal Standard (UK) Ltd.

4455 03/08



Installation Instruction

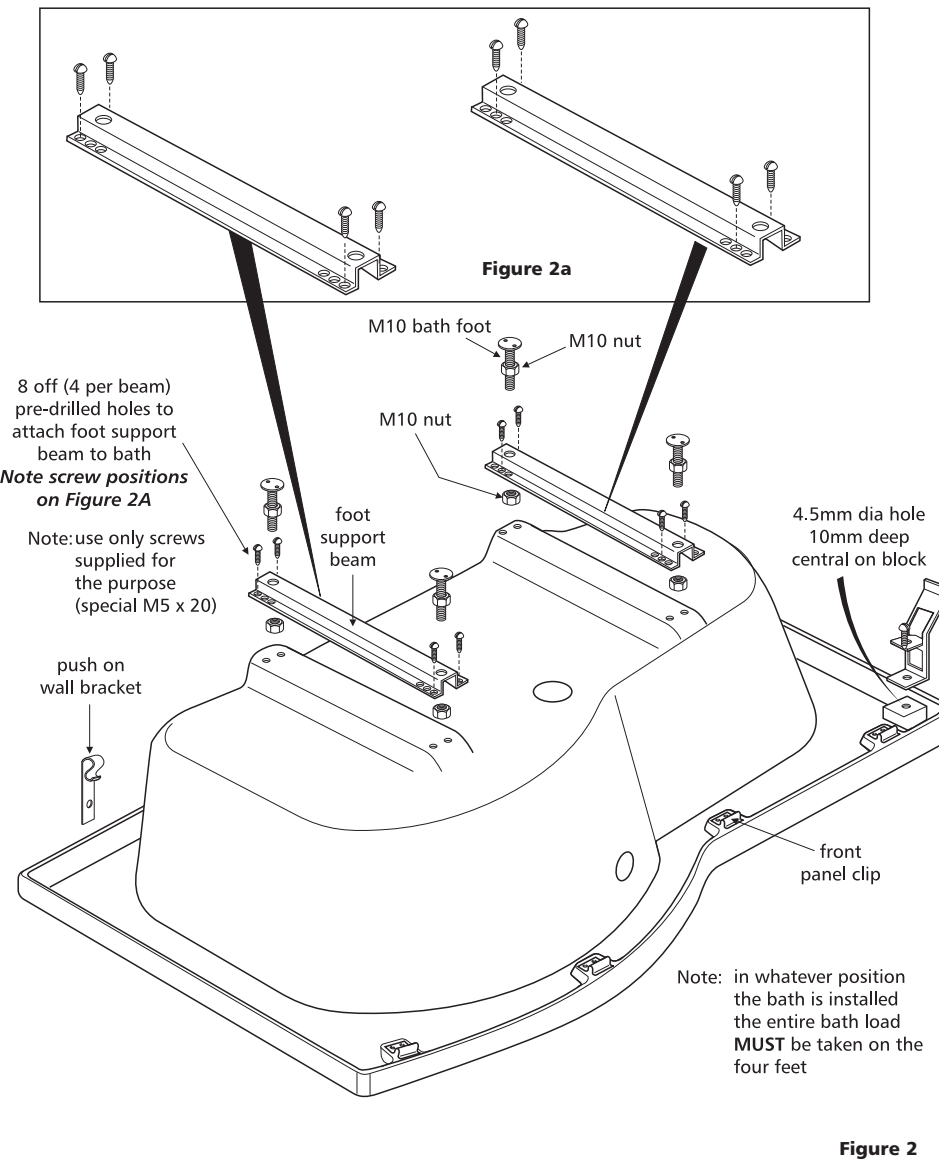
TECHNICAL INFORMATION



BATH CONDITION

Before commencing installation, carefully remove packaging/protective film and check for damage. If damaged, **DO NOT INSTALL** and report immediately to supplier. Ensure the internal surface of the bath is fully protected during the installation process.

INSTALLATION



1. Lay bath face down on a clean, level surface taking care not to damage the acrylic.
2. Fit bath support beams, (figure 2), to the base of the bath, aligning beam into pre-drilled holes, as indicated, and fix into position with

special wide helix self tapping screws, M5 x 20, (supplied).

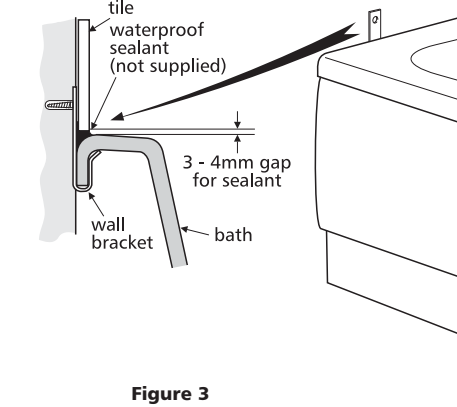
Ensure correct alignment of support beam to bath.

DO NOT OVERTIGHTEN

INSTALLATION

3. Fix the four M10 feet, (figure 2).
4. Fit supply and waste fittings. The bath is supplied without tap holes, a suitable size hole(s) will need to be cut on site, depending upon the style of bath fitting chosen. Monoblock drilling templates/instructions are supplied with the fitting. For standard two hole fittings a suitable two hole template is supplied with the bath.
5. Fit panel clips, (figures 2, 4 and 5), 4 clips for the front panel and 2 clips for end panel.
6. Turn bath over to normal floor standing position. Adjust to correct height and level off. Tighten M10 nuts on feet studs.
7. Fix wall fixing brackets, (figures 1, 2 and 3). Push on wall brackets as shown, (tap carefully with a hammer if necessary).

Secure wall brackets to wall, (screws not provided).



8. Screw bath to floor, (screws not provided).
9. Connect services. Test for satisfactory operation of fittings and ensure there are no leaks.
10. Tile down to the bath rim leaving a 3 - 4mm gap for waterproof sealant.

PANEL FIXING

11. Locate and fix the floor/wall support blocks, (supplied). Locate the panels in position. Draw a line on the floor around the base of the panels and on walls. Remove panels and fix the three floor and wall support block 3mm behind the drawn line. It is advisable to support the end panel at the bottom with a wooden batten, (not supplied).

12. Place bath panel in position and press the top edge into the panel clips. Fix panel to each floor/wall support block using screws provided. Where front and end panels are used, fit end panel first.

