

FIGURE 1

Ensure that the hinge pins are ready assembled in the seat lugs. If they have become dislodged, reassemble as shown (Figure 1).

Assemble the hinge (Figure 1 & 2) and place through the hole in the toilet pan (Figure 3). The retaining nut should fall flat (Figure 4), lift the hinge so that the retaining washer and nut are tight up against the underside of the toilet pan (Figure 5) and use a suitable screwdriver to tighten down the bolt to pinch tight (Figure 5). Repeat the process for the other hinge base.

Place the seat onto the hinges and line the seat and cover into the correct place (Figure 6). Remove the seat, tighten up the bolts so that the hinges do not move. Place the covers on the hinge bases (Figure 7) and finally replace the seat.

Tighten the hinge grub screw with the tool provided (Figure 8).

NOTE - Please re-check the screws that secure the hinges to the WC are still fully tight after 1 to 2 weeks usage.

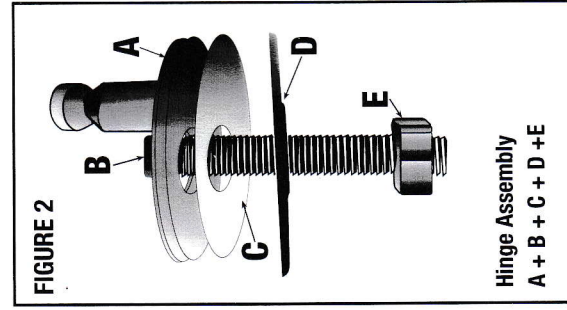


FIGURE 2

Hinge Assembly
A + B + C + D + E

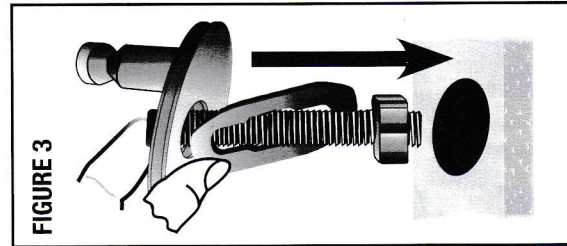


FIGURE 3

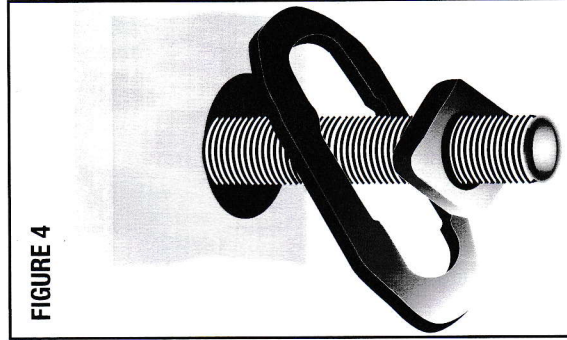


FIGURE 4

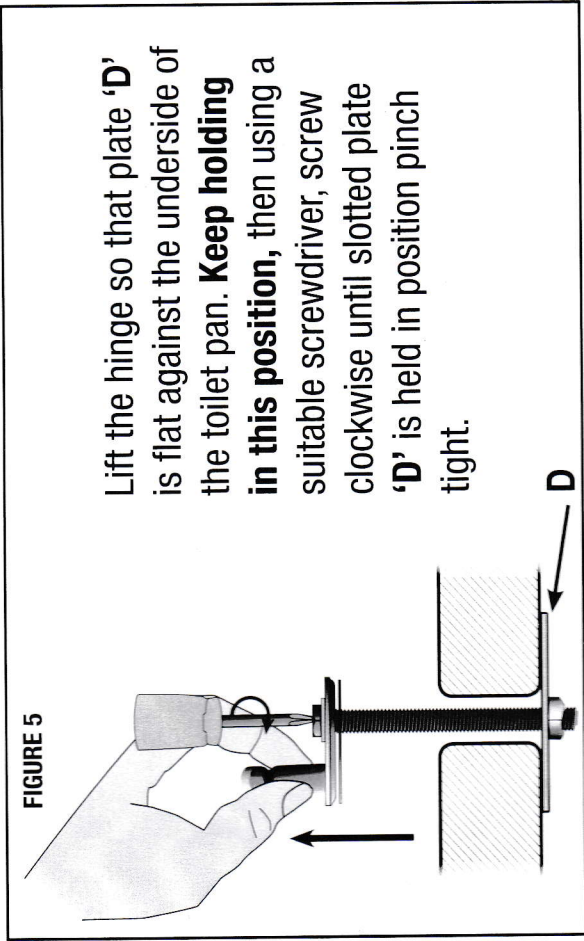


FIGURE 5

Lift the hinge so that plate 'D' is flat against the underside of the toilet pan. **Keep holding in this position**, then using a suitable screwdriver, screw clockwise until slotted plate 'D' is held in position pinch tight.

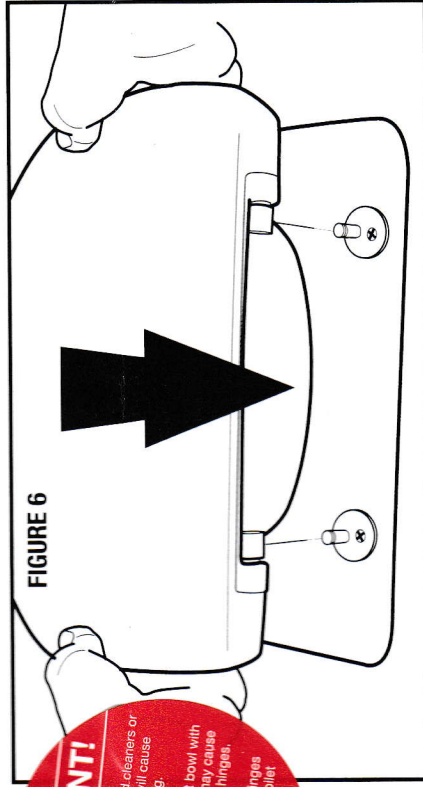


FIGURE 6

IMPORTANT!
Never use bleach, concentrated cleaners or acids on the hinges as this will cause discolouring and pitting.
Do not leave bleach in the toilet bowl with the cover closed because this may cause discolouration of the seat and hinges.
Take care not to splash the hinges when using bleach in the toilet bowl.

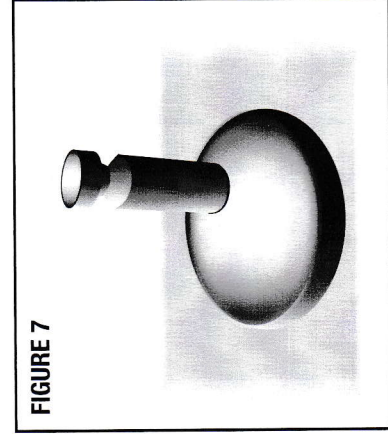


FIGURE 7

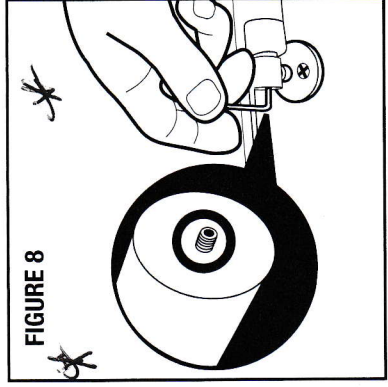


FIGURE 8

002
09032021