



Figure 5

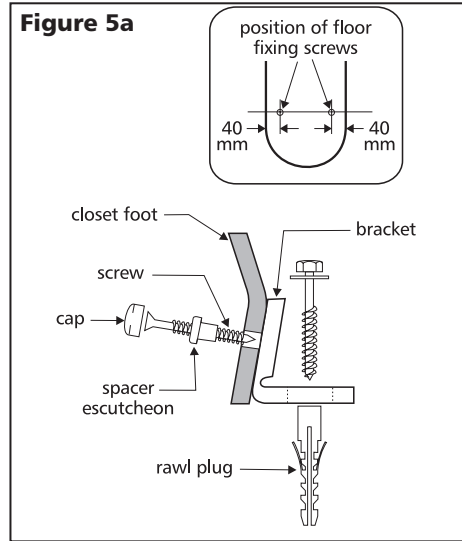


Figure 5a

Connect float-operated valve to pipework and test. Ensure that water level in cistern is correct.

Fit flush valve operating button to cistern lid. Refer to separate instruction sheet.

Closet Seat It is recommended that fitting the closet seat be the last operation in the bathroom. This will avoid the risk of scratching the seat when tiling etc.

Dolomite

Dolomite
Alder House
Alderflat Drive
Newstead Industrial Estate
Trentham
Stoke-on-Trent
ST4 8HX

CUSTOMER CARE HELPLINE
0870 1296086
FAX LINE 01482 499611
e mail : ukcustcare@aseur.com

Dolomite Bathrooms pursues a policy of continuing improvement in design and performance of its products. The right is, therefore, reserved to vary specifications without notice.

Dolomite is a division of
American Standard Plumbing (UK) Ltd.

DO38 09/03



Dolomite

CLOSE COUPLED FLOOR STANDING PUSH BUTTON VALVE CLOSET SUITES

Installation Instructions

**CISTERN FITTINGS
PRE-FITTED**

The closet bowls have a horizontal outlet which conforms to the dimensions of BS 5503. The cistern is designed to suit current Water Regulations.

WARNING: Do not bed closet bowl to the floor with cement mortar otherwise the closet foot could split after installation.

SERVICING VALVES: The Water Regulations have a requirement to fit a servicing valve adjacent to the cistern. This is to enable the water supply to be shut off, if required without shutting off the supply to other appliances.

INSTALLATION

Before installing the cistern please check the backnuts on the inlet and outlet valves, as they may have become loosened in transit.

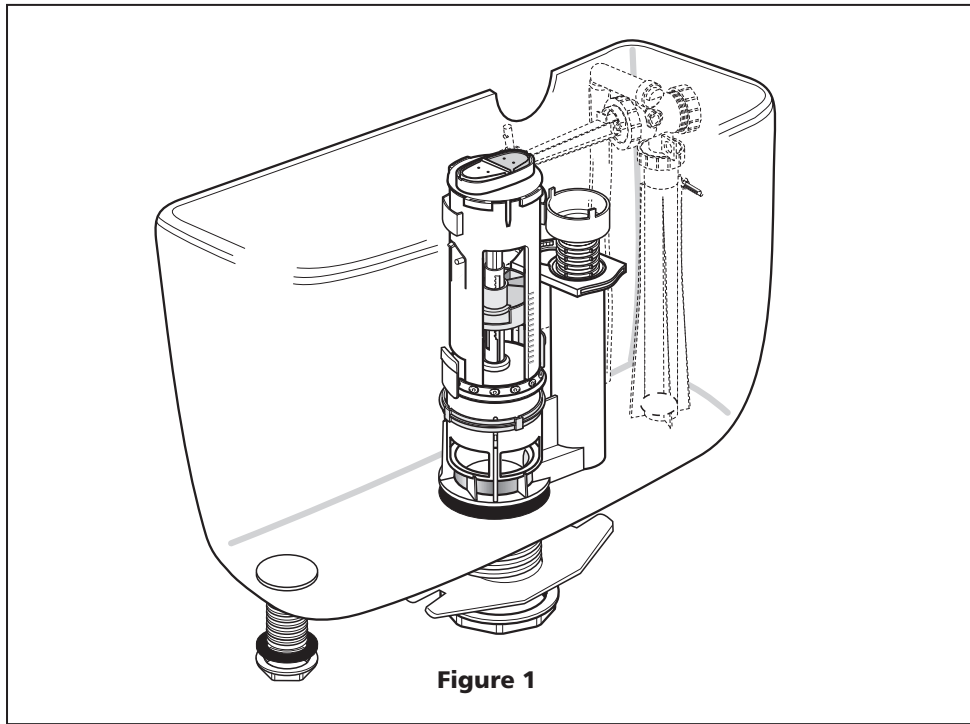


Figure 1

Lower cistern on to closet bowl and apply washers and wing nuts to square necked bolts and tighten by hand.

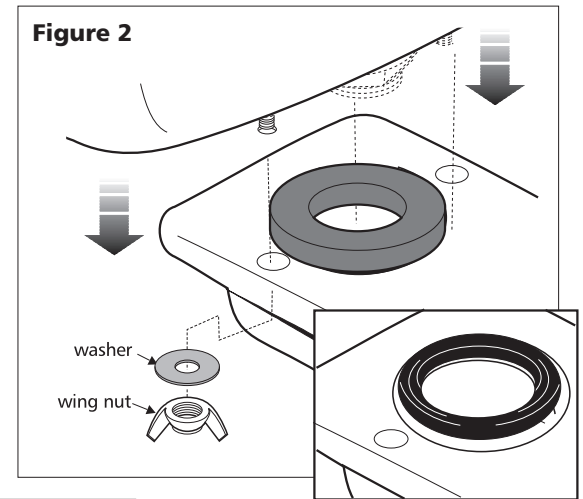


Figure 2

Locate closet suite up to the wall and mark cistern screw hole positions on wall. Remove closet suite and drill and plug wall.

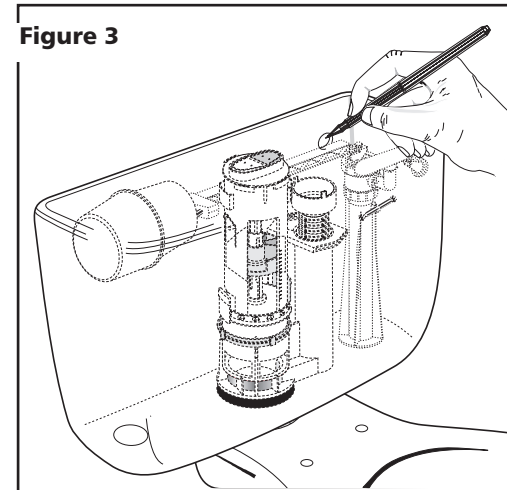


Figure 3

Fit outlet connector to closet bowl.

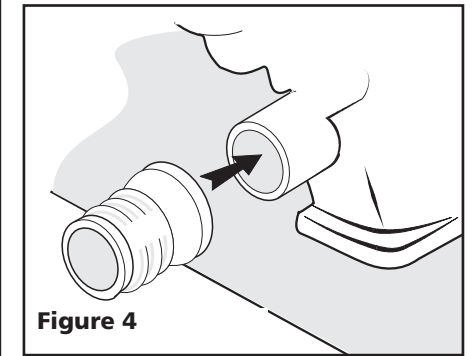


Figure 4

Reposition closet suite (Fig. 5), up to wall, make connection to soil system and screw closet bowl to floor and cistern to wall with No. 12 RH woodscrews (not supplied).

The Maine and Liberty closet suites are supplied with their own individual floor fixation kit. Place the suite up to the wall in the required position and mark the outline of the closet bowl on the floor. Mark on the floor at

both sides of the closet bowl, the position of the screw holes in the closet foot. Remove closet bowl, draw a line on the floor joining the marks which indicate the screw hole positions. Mark the position for the two fixing screws 40mm in from the line drawn around the closet, drill, plug and fit brackets to foot (Fig. 5a).