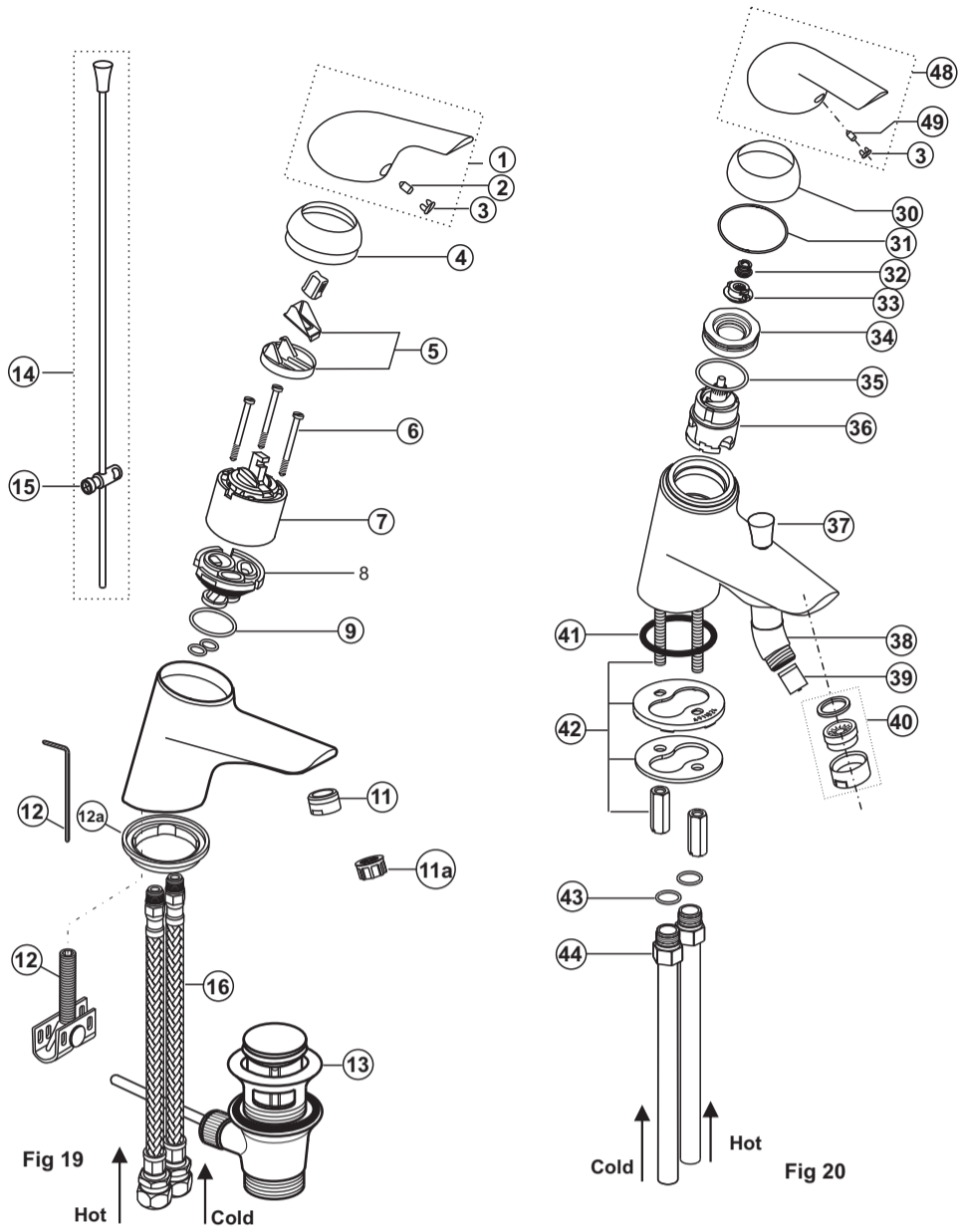


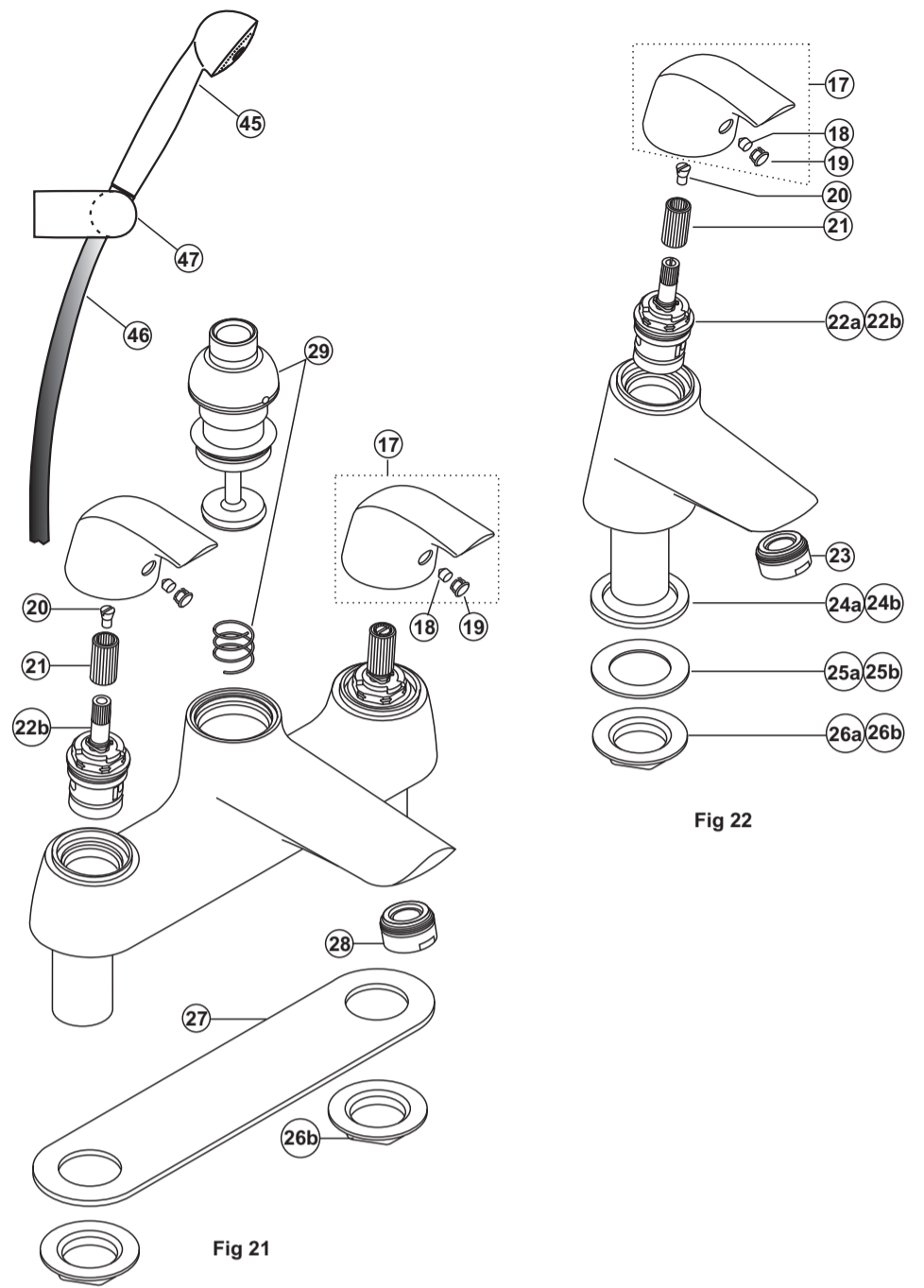
10 SPARE PARTS - SINGLE LEVER MIXERS



Ref.	Description
1	S/L basin and bidet handle complete
2	Grub screw
3	Index cover cap
4	Shroud
5	Water economy flow stop
6	Screws for 47mm cartridge
7	S/L cartridge 47mm
9	O-Ring
11	Aerator with housing
11a	Flow straightener insert
12	Top fix kit for S/L basin/bidet
13	Pop-up waste
14	Pop-up rod complete
15	Pop-up rod clamp
16	Flex inlet tails - 15mm compression
17	Quarter turn handle complete - pair
18	Grub screw
19	Index caps - pair
20	Cone screw
21	Splined drive insert
22a	Quarter turn cartridge 1/2
22b	Quarter turn cartridge 3/4
23	Flow straightener
24a	Deck sealing ring (basin)
24b	Deck sealing ring (bath)
25a	Slip washer (basin)
25b	Slip washer (bath)

Ref.	Description
26a	G1/2 Back nut
26b	G3/4 Back nut
27	Deck sealing gasket
28	Flow straightener
29	Diverter complete
30	Shroud
31	O-Ring
32	Nut for drive insert
33	Drive insert for M/P
34	M/P cartridge retaining nut
35	M/P cartridge seal o-ring
36	M/P cartridge
37	Diverter Knob
38	Diverter assembly with elbow
39	Check Valve
40	Flow straightener
41	Deck seal
42	Fixing kit for S/L bath fittings
43	Inlet tail seals
44	Inlet tails - 15mm copper
45	Shower handspray
46	Flexible shower hose
47	Showering station
48	S/L Bath handle complete
49	Grub screw

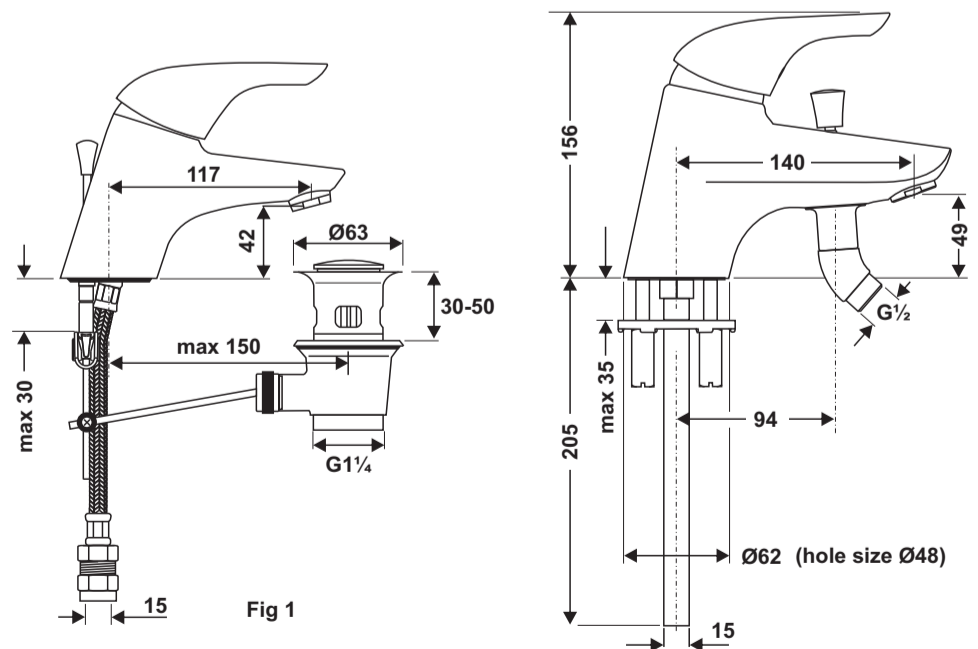
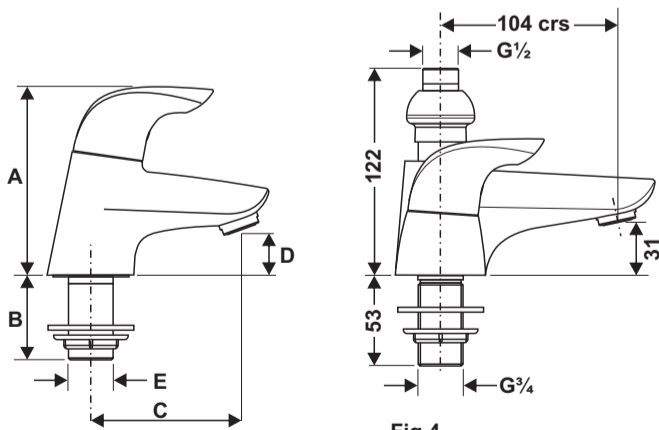
11 SPARE PARTS - QUARTER TURN FITTINGS



Installation Instructions CERAPLAN Single Lever & Dual Control Bathroom Fittings

B7884AA	Basin Pillar Taps	B7889AA	Bidet Mixer Single Lever
B7885AA	Bath Pillar Taps	B7890AA	1 Hole Bath S/L Shower Mixer
B7886AA	Basin S/L with Pop-up Waste	B7891AA	2 Hole Bath Filler
B7887AA	Basin S/L without Pop-up Waste	B7892AA	2 Hole Bath Shower Mixer
B7888AA	1 Hole Bath S/L Filler		

	Basin pillar tap	Bath pillar tap
A	108	112
B	50	50
C	80	89
D	22	25
E	G $\frac{1}{2}$	G $\frac{3}{4}$



CUSTOMER CARE HELPLINE
0870 129 6085

CUSTOMER CARE FAX
01482 499611

E-MAIL
UKcustcare@IdealStandard.com

Ideal Standard pursues a policy of continuing improvement in design and performance of its products. The right is therefore reserved to vary specification without notice.

Ideal Standard is a division of Ideal Standard (UK) Ltd

Ideal Standard
The Bathroom Works, National Avenue
Kingston-upon-Hull, HU5 4HS England

4646 07/10

E96562000



INSTALLER: After installation please pass this instruction booklet to user

2 RANGE & SUPPLY CONDITIONS

The fittings covered by this installation and maintenance instruction should be installed in accordance with the water regulations published in 1999*, therefore, American Standard would strongly recommend that these fittings are installed by a professional installer

*A guide to the Water Supply (Water Fittings) Regulations 1999 and the Water Byelaws 2000, Scotland, is published by WRAS (Water Regulations Advisory Scheme) Fern Close, Pen-y-Fan Industrial Estate, Oakdale, Newport, NP11 3EH. ISBN 0-9539708-0-9

WATER SUPPLIES

Ceraplan fittings are designed for use on systems where the water pressure is a minimum of 0.1 bar (0.2 bar for bidet) and they are suitable for use up to a pressure of 5.0 bar.

All Ceraplan SL fittings are supplied with a flow straightener in the spout except the basin mixers B7866AA and B7887AA. When fitting on pressures in excess of 1.0 bar it is recommended that an aerator (not supplied) should be substituted. These can be obtained by contacting the customer care team and quoting the following reference numbers.

A960321AA bidet and 2-hole bath fittings.

A960309AA 1-hole bath fittings.

The basin mixers B7866AA and B7887AA have 5 litre/min regulated aerators (B960889NU) with a flow straightener insert (A960191NU) supplied separately. When fitted on pressures below 1 bar it may be preferable to substitute the aerator with a flow straightener insert.

It is recommended that the hot and cold supply pressures are reasonably balanced and from a common source.

CONNECTIONS

It may be necessary to insert the flexible inlet tails of the Basin and Bidet fittings through the tap hole from below before screwing them into the fitting body as the inlet end connectors may not pass through the tap hole when fitted. Ensure they are tightened before securing the fitting to the tap deck.

Basin pillars	- G1/2
Bath pillars and 2-hole bath fittings	- G3/4
Basin/bidet monoblock	- flex tails with 15mm compression connectors
Bath monoblocks	- 15mm copper tails

3 LOCATION

ONE-HOLE BATH MIXERS

The one hole bath fittings require a bath supplied without tap holes. The installer will have to drill a 48mm diameter hole in the rim but before this is done consider the following questions.

- Will a shower screen, if fitted, foul the fitting?
- Is there adequate space for the lever handle movement?

Check the position before fitting the inlet tails and draw a pencil line around the base of the mixer (Fig 5).

In the centre of the of the outline, drill a 48mm hole.

It is important not to exceed this size otherwise the sealing washer may not seal correctly.

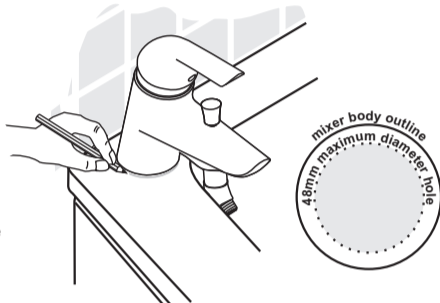


Fig 5 Drilling the bath tub

ONE-HOLE BASIN & BIDET MIXERS

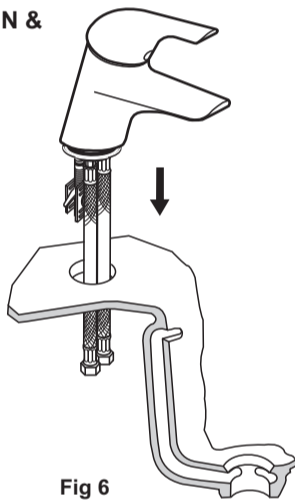


Fig 6

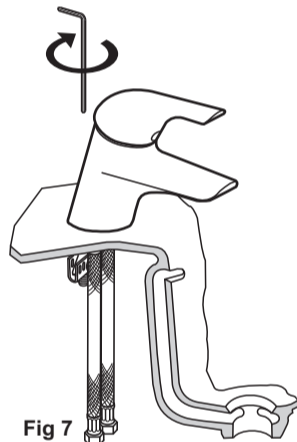


Fig 7

Connect fixation bracket to the underside of the mixer body by 2 - 3 threads only THIS IS A LEFT HAND THREAD.

- Ensure fixation bracket is also only engaged by 2 - 3 threads.
- Hold the fixation bracket in the vertical position and place through the tap hole ensuring that the sealing washer remains above the platform as this acts as a watertight seal between the two surfaces, (Fig 6).
- When positioned correctly, tighten the fitting using the Allen key provided. (Pass the Allen key to the user for future use). (Fig 7)
- Once tightened, position the vertical pop-up rod (13) through the same vertical hole and connect this to the horizontal rod using the connector provided.

4 WATER ECONOMY

The Ceraplan single lever basin and bidet fittings incorporate a water saving mechanism which creates a resistance when the water flow is approximately 50% of maximum. Raising the lever past this resistance permits the cartridge to be opened fully. The mechanism consists of two parts. A flow stop ring and a flow stop inner (see Fig 8).

To remove, slide off the flow stop inner. The flow stop ring can then be snapped off by placing a screwdriver under and prising upwards.

The basin mixers B7866AA and B7887AA have 5 litre/min regulated aerators (B960889NU) fitted on the outlets.

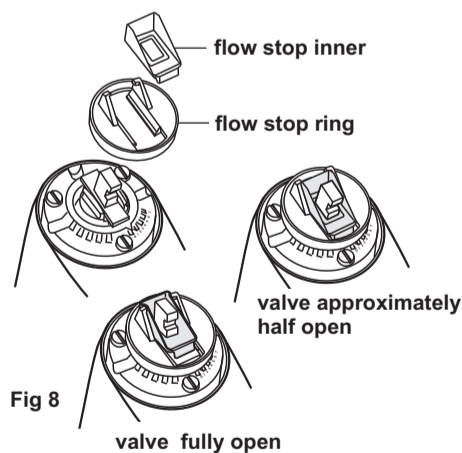


Fig 8

5 SETTING THE BLEND CONTROL

The Ceraplan single lever basin and bidet fittings incorporate a blend control. This is a simple mechanical limit stop, located under the single lever handle, which restricts the angle to which the handle can be rotated towards the full hot position. To set it, the hot water system should be operating and the hot water up to normal working temperature.

A thermometer will be required to measure the maximum blend temperature.

(Refer to drawing on in section 7)

1. Remove the handle (1) & shroud (4).
2. Remove the two-part 'click' mechanism - see Fig 8.
3. The blend ring, which is factory set in position '0', can then be prised up and rotated to the desired setting. There are 8 positions (0-7), the higher the number the lower the maximum blend temperature.
4. Push the blend ring back down to lock it in its new position.
5. Operate the fitting and rotate the handle as far as it will go to the left. Measure the water temperature and make further adjustments as necessary.
6. Refit 'click' mechanism, shroud and handle.

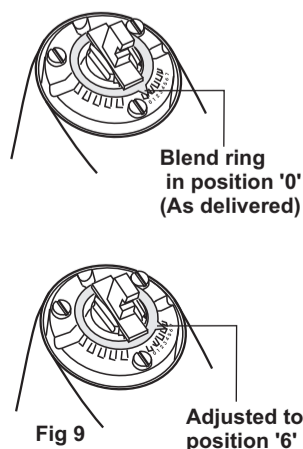


Fig 9

6 BACK SYPHONAGE PROTECTION

Installers' duty

The water regulations place a duty on installers to ensure that flexible shower hoses cannot create a backflow risk. This risk exists when it is possible for a flexible shower outlet to enter any sanitary vessel.

The details of these risks are outlined in a separate leaflet (E965049), however, to enable installers easily to comply with the regulations, all Ideal Standard bath shower mixers are supplied with a screw-to-wall restraining bracket.

This restraining bracket should be sited such that when the flexible shower hose is passed through it, the spray head cannot enter any adjacent sanitary appliance. The three sketches below summarise its correct use.

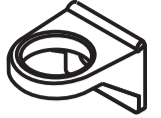


Fig 10 Shower hose restraining bracket. Screw to the wall in a suitable position as shown below

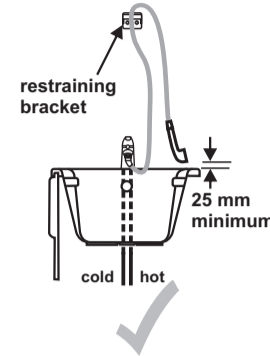


Fig 11 Bath or shower tray

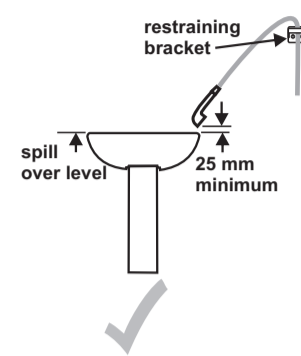


Fig 12 Washbasin

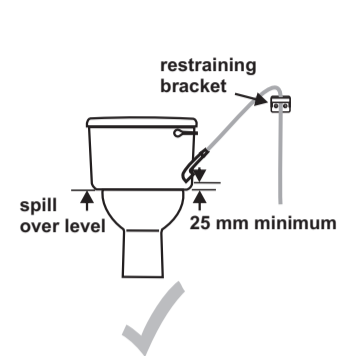


Fig 13 WC or bidet

The above three applications are permissible in any application, either domestic or health-care establishments, as long as the supplies are at reasonably balanced pressures and from a common source. i.e. both from storage or both from the same mains fed system such as a Modulating Combination Boiler or Unvented Hot Water Supply System (UHWSS).

7 CARTRIDGE REPLACEMENT

Pillar taps and 2-hole Bath Fittings (Fig 14)

1. Turn off both hot and cold water supplies
2. Remove index buttons (19)
3. Undo grub screws (18) using an Allen key
4. Pull off handles (17)
5. Slacken screw (20) and pull off drive insert (21)
6. Unscrew cartridge (22) and replace with the new one
7. Reverse the procedure for assembly

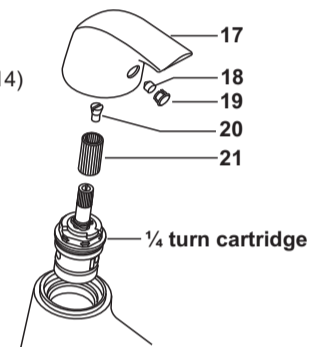


Fig 14

Basin and Bidet Fittings (Fig 15)

1. Turn off both hot and cold water supplies.
2. Raise lever handle (1) fully, remove plastic index cap (3) and undo grub screw (2).
3. Pull off shroud (4).
4. Remove click mechanism components (5).
5. Undo screws (6). The cartridge can then be lifted out. (Ensure seals have been removed with the cartridge.)
7. Position new cartridge ensuring the location peg engages in the appropriate hole and reverse the procedure for assembly.

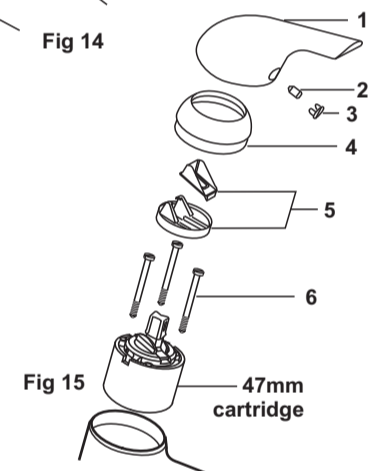


Fig 15

Single Lever Bath Fittings (Fig 16)

1. Turn off both hot and cold water supplies.
2. Raise lever handle (1) fully, remove plastic index cap (3) and undo grub screw (2).
3. Pull off shroud (28).
4. Unscrew the retaining nut (32).
5. The Multiport cartridge can then be lifted out. (Ensure seals have been removed with the cartridge.)
6. Swap over the drive insert and nut (30 & 31). Position new cartridge ensuring the location peg engages in the appropriate hole.
7. Refit the retaining nut (32) and tighten. The ideal torque is 5 Nm. Typically this is hand tight plus 1/4 turn. If over-tightened the cartridge will be stiff to operate and will have a limited life.

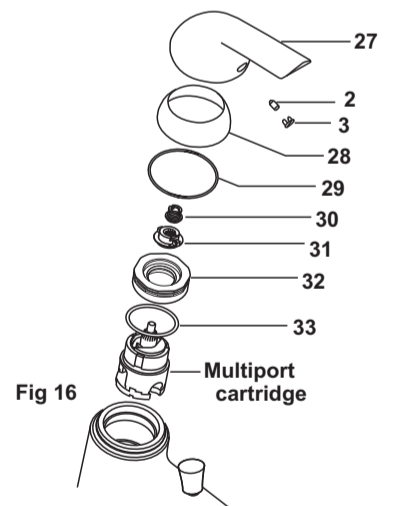


Fig 16

8 OPERATION

The one hole fittings operate using a single lever mechanism which permits a more fluent control of water flow and temperature.

The two hole fittings use quarter turn cartridges allowing a smooth operation which can be easily adjusted.

See Fig's 17 & 18

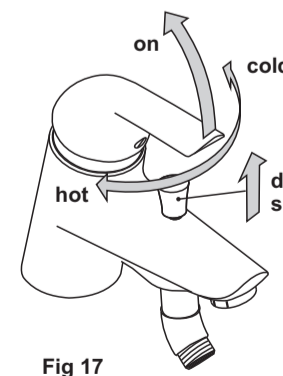


Fig 17

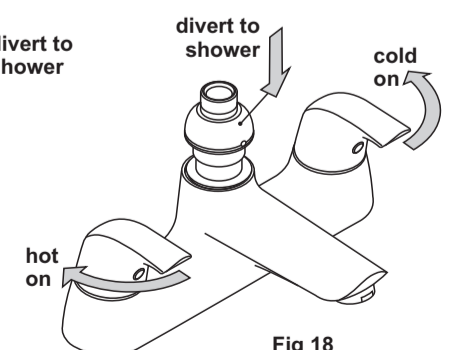


Fig 18

9 CLEANING

When cleaning the fittings always use soap based cleaners. Never use abrasive or scouring powders and never use cleaners containing alcohol, ammonia, nitric acid, phosphoric acid or disinfectants.