

6 MAINTENANCE

To remove ceramic disc cartridge

1. Shut off water supply and move handle to the "off" position.
2. Remove handle.
3. Remove cartridge by unscrewing anti-clockwise.

Direction of rotation

The ceramic disc cartridges fitted to the Elements CD range of brassware are the 1/2" SE ceramic disc cartridges


Where lever handles are to be fitted it is often found desirable to have them operating in opposite directions for hot and cold.

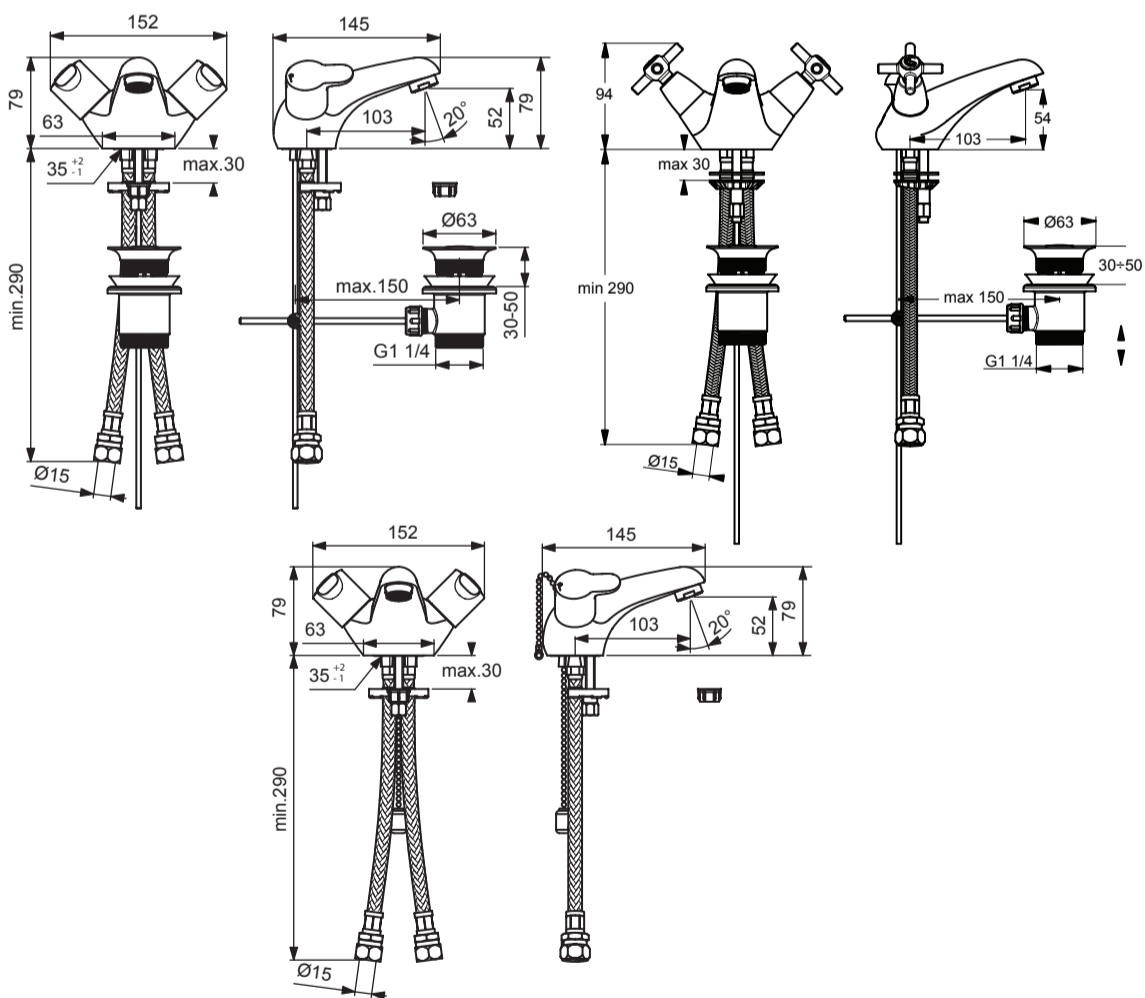
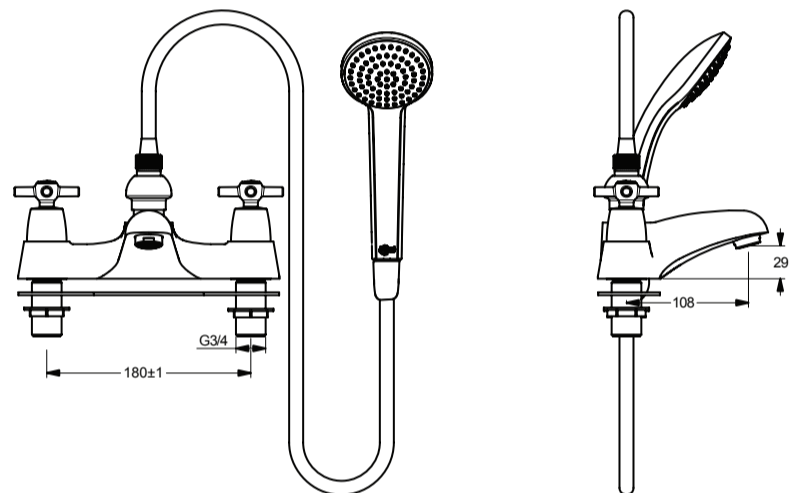
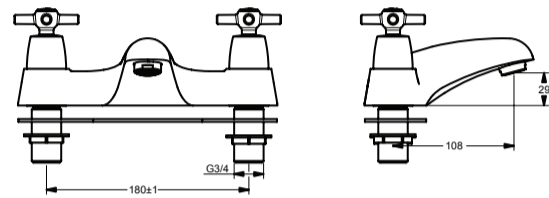
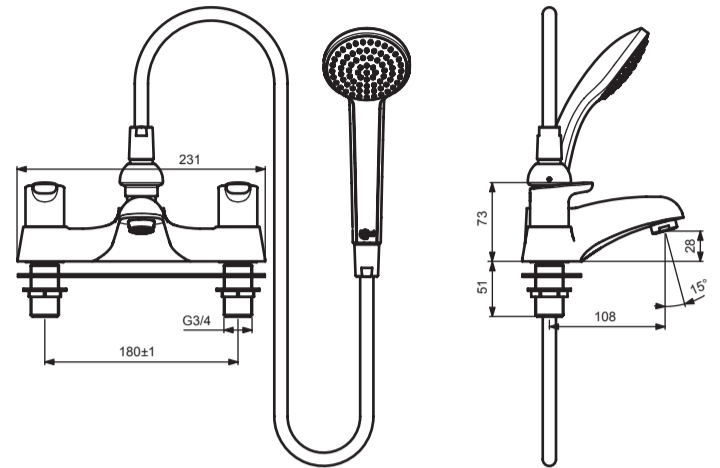
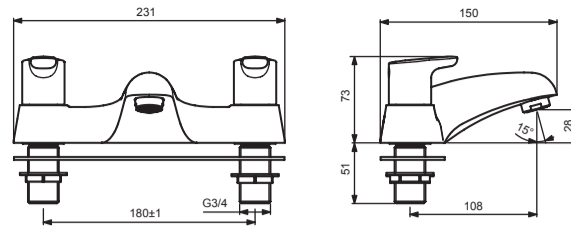
Rotation reversal can be achieved by removing the circlip and turning the the spindle niting stop over.

REPLACEMENT VALVES AND CARTRIDGES

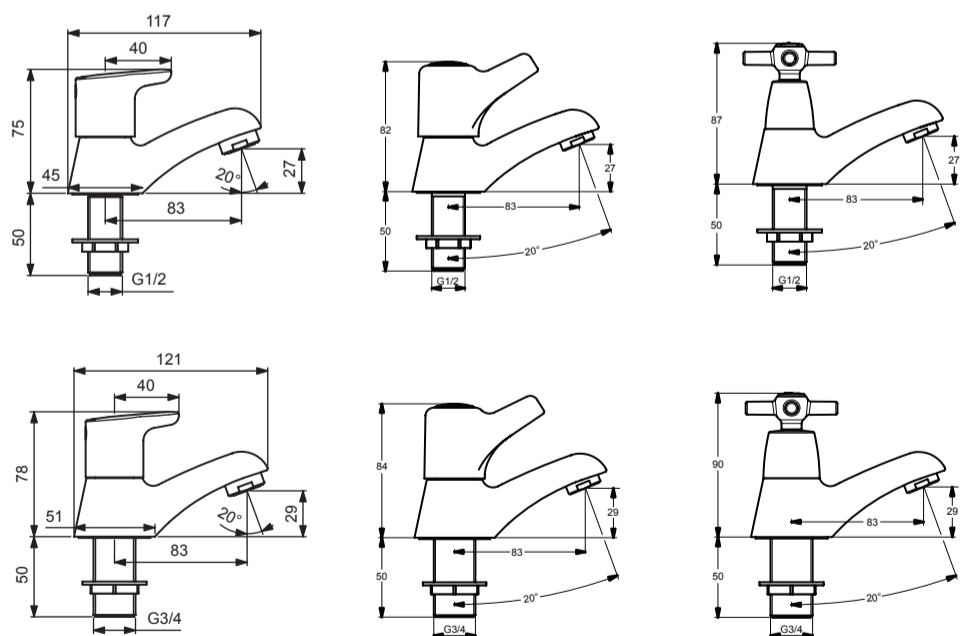
1/2 SE ceramic disc cartridges cl. close A963003NU

1/2 SE ceramic disc cartridges a/cl. close A963004NU

 X Head only 1/2 SE ceramic disc cartridges cl. close A963003NU



ELEMENTS



CUSTOMER CARE HELPLINE
0870 129 6085

CUSTOMER CARE FAX
01482 499611

E-MAIL
ukcustcare@idealstandard.com

Ideal Standard pursues a policy of continuing improvement in design and performance of its products. The right is therefore reserved to vary specification without notice.

Ideal Standard is a division of Ideal Standard (UK) Ltd

Ideal Standard
The Bathroom Works, National Avenue
Kingston-upon-Hull, HU5 4HS England

Ideal Standard International BVBA
Corporate Village – Gent Building
Da Vincilaan 2
1935 Zaventem
Belgium
<http://www.idealstandardinternational.com>

The fittings covered by this installation and maintenance instruction should be installed in accordance with the water regulations published in 1999*, therefore Ideal Standard would strongly recommend that these fittings are installed by a professional installer

*A guide to the Water Supply (Water Fittings) Regulations 1999 and the Water Byelaws 2000, Scotland, is published by WRAS (Water Regulations Advisory Scheme) Fern Close, Pen-y-Fan Industrial Estate, Oakdale, Newport, NP11 3EH. ISBN 0-9539708-0-9

INSTALLER:
After installation please pass this instruction booklet to user

The fittings covered by this installation and maintenance instruction should be installed in accordance with the water regulations published in 1999*, therefore Ideal Standard would strongly recommend that these fittings are installed by a professional installer

*A guide to the Water Supply (Water Fittings) Regulations 1999 and the Water Byelaws 2000, Scotland, is published by WRAS (Water Regulations Advisory Scheme) Fern Close, Pen-y-Fan Industrial Estate, Oakdale, Newport, NP11 3EH. ISBN 0-9539708-0-9

Please read this instruction carefully before commencing installation

QUARTER TURN CERAMIC DISC BRASSWARE WITH HANDLES		QUARTER TURN CERAMIC DISC BRASSWARE	
CODE	PRODUCT	CODE	PRODUCT
B9887	½" pillar taps	B9858	½" pillar taps (Crosshead Handles)
B9888	¾" pillar taps	B9859	¾" pillar taps (Crosshead Handles)
B9889	One hole basin mixer with pop-up waste	B9860	One hole basin mixer with pop-up waste (Crosshead Handles)
B9890	One hole basin mixer complete with weighted chain	B9861	Two hole bath filler (Crosshead Handles)
B9891	Two hole bath filler	B9862	Two hole bath/shower mixer complete with shower kit (Crosshead Handles)
B9892	Two hole bath/shower mixer complete with shower kit	B9863	½" pillar taps (Lever Handles)
		B9864	¾" pillar taps (Lever Handles)

CONNECTIONS

The fittings must always have the cold water supply on the right and the hot supply on the left when facing the fitting.

Hot and cold connections are as follows:

Bath Pillar Taps, Deck Mounted Bath Filler & Bath/Shower Mixer:	G¾
Connections for Basin Pillar Taps:	G½
Monoblock Basin and Bidet Mixers:	Flexible tail pipes with 15mm compression couplings

4 INSTALLATION - TWO HOLE FITTINGS

Flush water through pipework to remove all debris etc. before connecting the fittings.

Pillar taps

Ensure the 'O' ring washer is above the tap platform and is seated correctly before tightening the backnut.

Bath fittings - two hole

- Fit rubber gasket on the fitting body.
- Insert fitting into the tap holes on the bath.
- Attach the back nuts and tighten.
- For bath/shower mixer, fit shower hose to top of diverter.

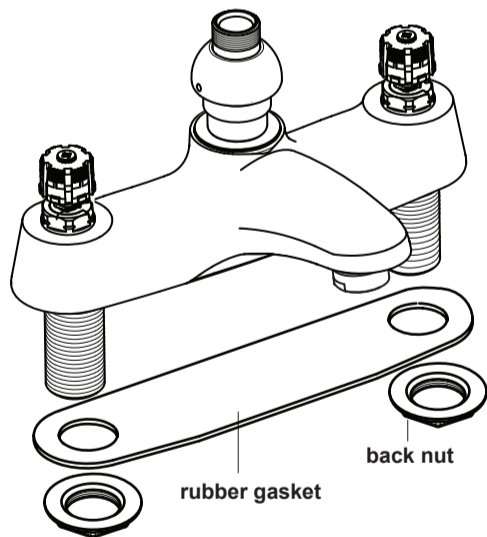


Figure 2 B9857

SAFETY FOR THE USER

- Elements fittings are not thermostatically controlled and the outlet temperature depends on the position of the handles, the hot and cold inlet temperatures and their pressures. If the cold water supply fails, only hot water at its maximum temperature will be delivered if connections to the cold water storage tank have not been made as recommended under WATER SUPPLIES.
- To protect vulnerable users from scald risk we recommend the installation of a temperature limiting device on the hot water supply to bath fittings. In certain installations this may be mandatory due to part G Building Regulations

OPERATION

ELEMENTS CD BRASSWARE

Separate ceramic disc cartridges control the flow of hot and cold water. Turn the handle through 90° to move from off to fully on.

BATH/SHOWER MIXER

The bath/shower mixer incorporates a manually operated self cancelling diverter. Depress the diverter knob to transfer to hand spray. The diverter will return to the supply to bath position when the water is turned off.

If the hot and cold pressures are not balanced the mixed water temperature may vary when the diverter is operated.

Basin and bath fittings are designed to operate on supply pressures from 0.1 bar minimum to 5 bar maximum.

To ensure safety with bath/shower mixers installed on normal UK low pressure storage tank fed systems it is recommended that the cold water feed from the storage tank is connected below the feed to the hot water storage cylinder. In the event of a float-operated valve failure or mains supply failure the hot water will cease to flow before the cold.

All mixer fittings are supplied with a flow straightener in the spout except the basin mixers B9889AA, B9890AA and B9860AA.

When fitting on pressures in excess of 1.0 bar it is recommended that an aerator (not supplied) should be substituted. These are available from Ideal Standard stockists:

Bath fittings A960321AA.

The basin mixers B9889AA, B9890AA and B9860AA have a 5 litre/min regulated aerator (B960754AA) with a flow straightener insert (A962713NU).

BATH SHOWER MIXER - BACKFLOW PROTECTION (SOLD SEPARATELY)

The water regulations place a duty on installers to ensure that flexible shower hoses cannot create a backflow risk. This risk exists when it is possible for a flexible shower outlet to enter any sanitary vessel.

To make it easy for installers to comply with the regulations, a screw-to-wall restraining bracket has been included with the bath shower mixer.

This restraining bracket should be sited such that when the flexible shower hose is passed through it, the spray head cannot enter any adjacent sanitary appliance. The three sketches below summarise its use.

If it is required to allow the spray head to enter an adjacent bath, shower tray or basin, both Inlets to the mixer must be protected by single check valves. (This is not permitted in health care establishments.)

It must never be possible for the spray head to enter an adjacent bidet or WC.

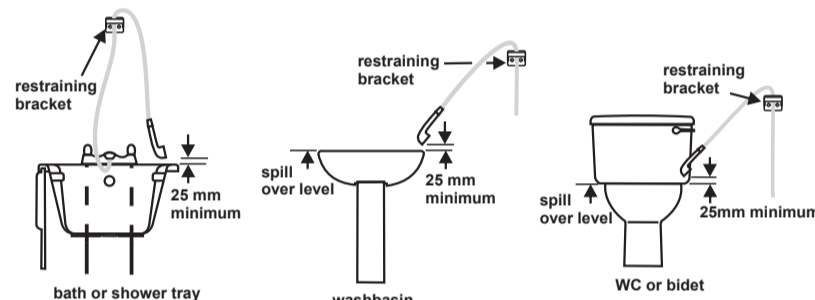


Figure 1

5 ONE HOLE BASIN FITTINGS

- Flush water through the pipework to remove debris etc. before connecting the fitting.
- Insert the fitting into the tap hole, ensuring the 'O' ring deck seal is above the platform. Attach the back plate washer, back plate and sleeve fixing nut under the platform (Figure. 3).
- Tighten sleeve fixing nut.
- Fit waste.

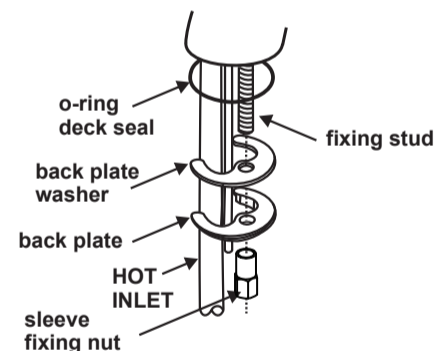


Figure 3 Fixation of basin