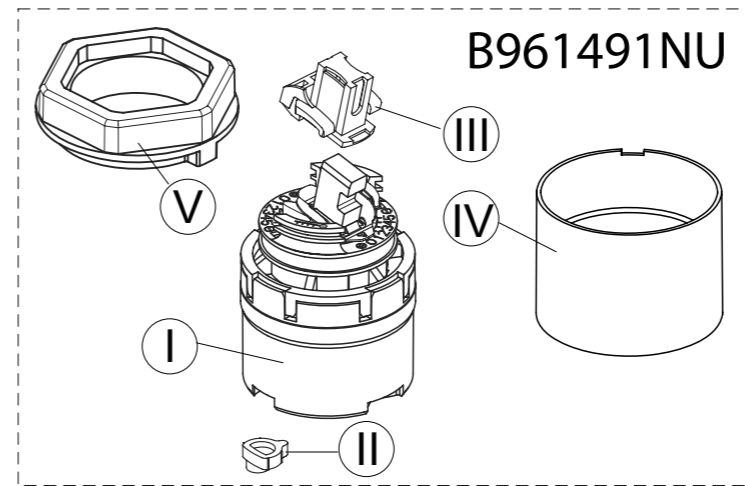
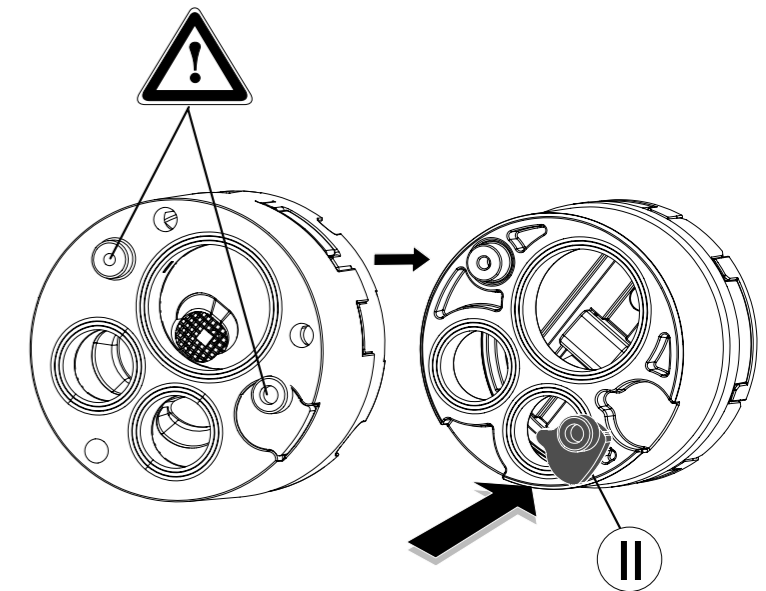
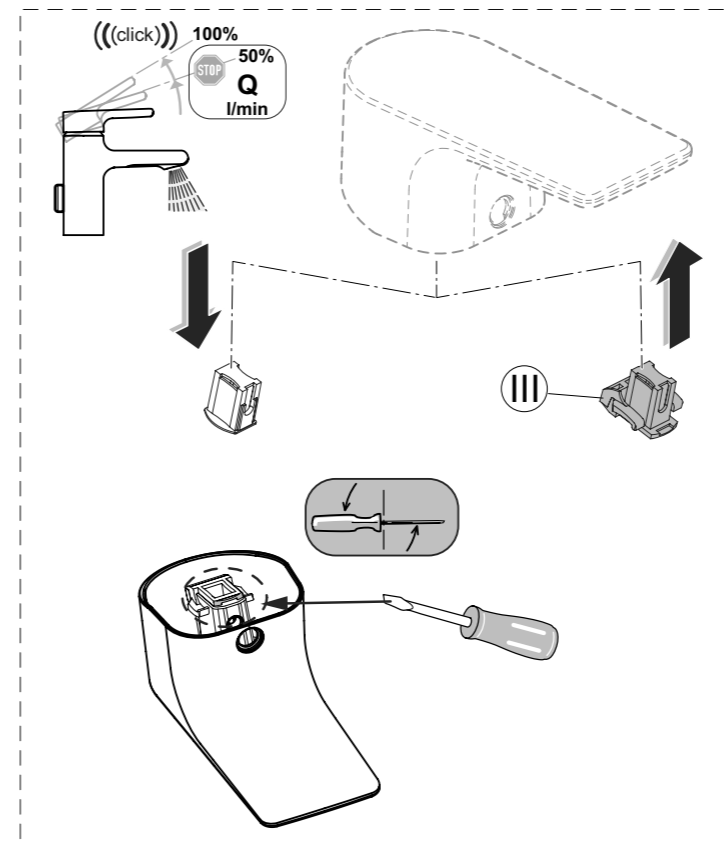
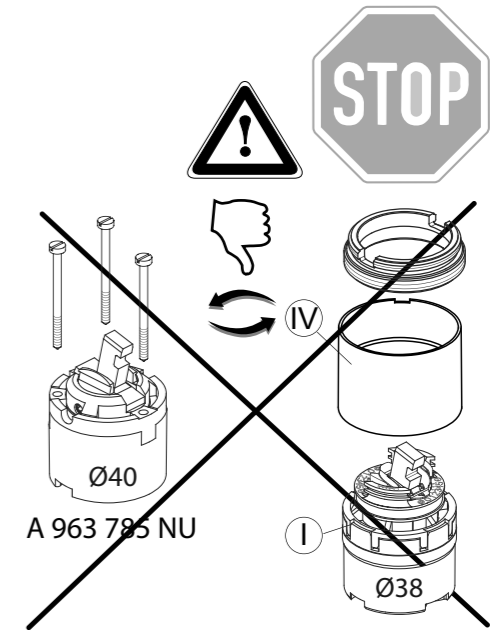
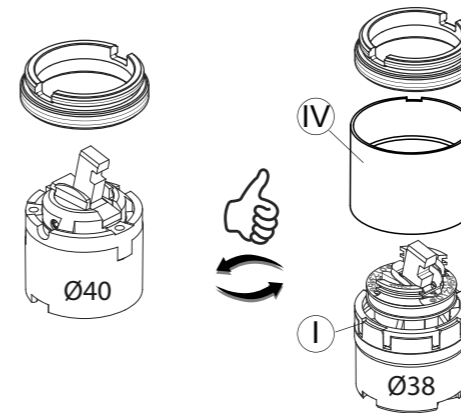


P 0,3 MPa 3 bar	50°C 65°C 85°C	15°C 15°C 15°C	Temperature (°C)					
			0	1	2	3	4	5
			50	49	44	40	35	33
			65	63	57	50	44	40
			85	83	74	64	56	50



Ø40 → Ø38



Ideal Standard International NV
 Corporate Village – Gent Building
 Da Vincilaan 2
 1935 Zaventem
 Belgium
<http://www.idealstandardinternational.com>

