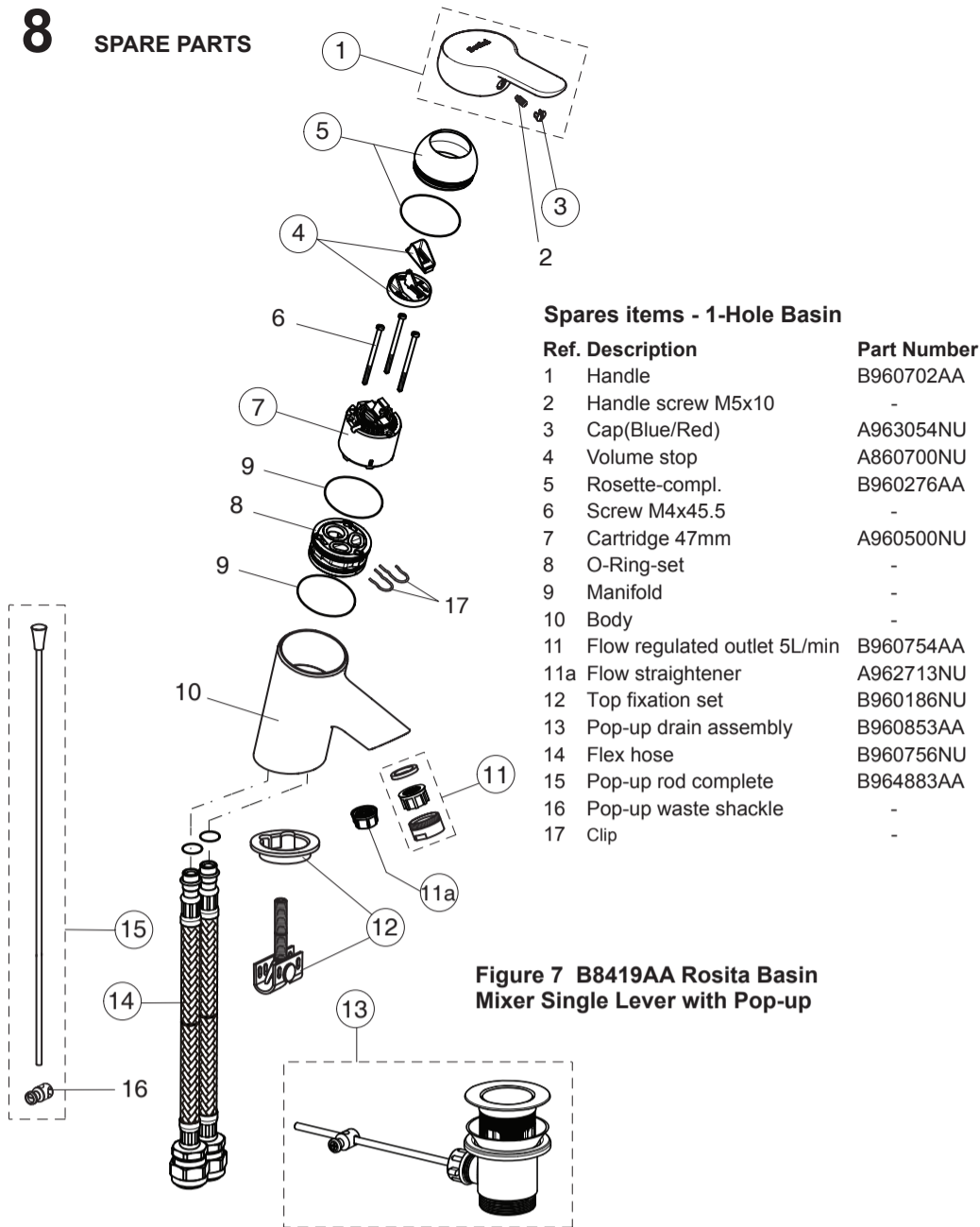


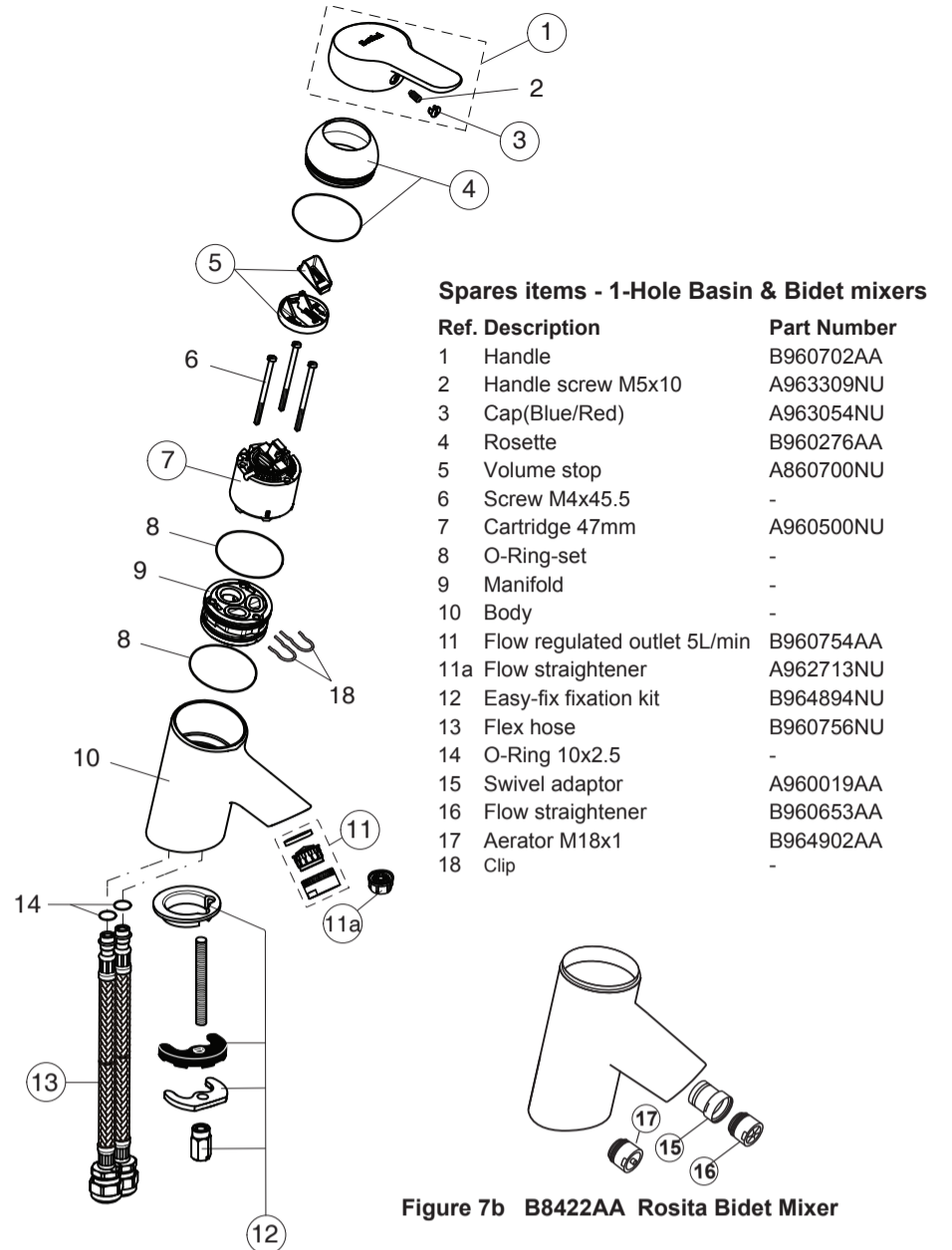
8 SPARE PARTS



Spares items - 1-Hole Basin

Ref.	Description	Part Number
1	Handle	B960702AA
2	Handle screw M5x10	-
3	Cap(Blue/Red)	A963054NU
4	Volume stop	A860700NU
5	Rosette-compl.	B960276AA
6	Screw M4x45.5	-
7	Cartridge 47mm	A960500NU
8	O-Ring-set	-
9	Manifold	-
10	Body	-
11	Flow regulated outlet 5L/min	B960754AA
11a	Flow straightener	A962713NU
12	Top fixation set	B960186NU
13	Pop-up drain assembly	B960853AA
14	Flex hose	B960756NU
15	Pop-up rod complete	B964883AA
16	Pop-up waste shackle	-
17	Clip	-

Figure 7 B8419AA Rosita Basin Mixer Single Lever with Pop-up

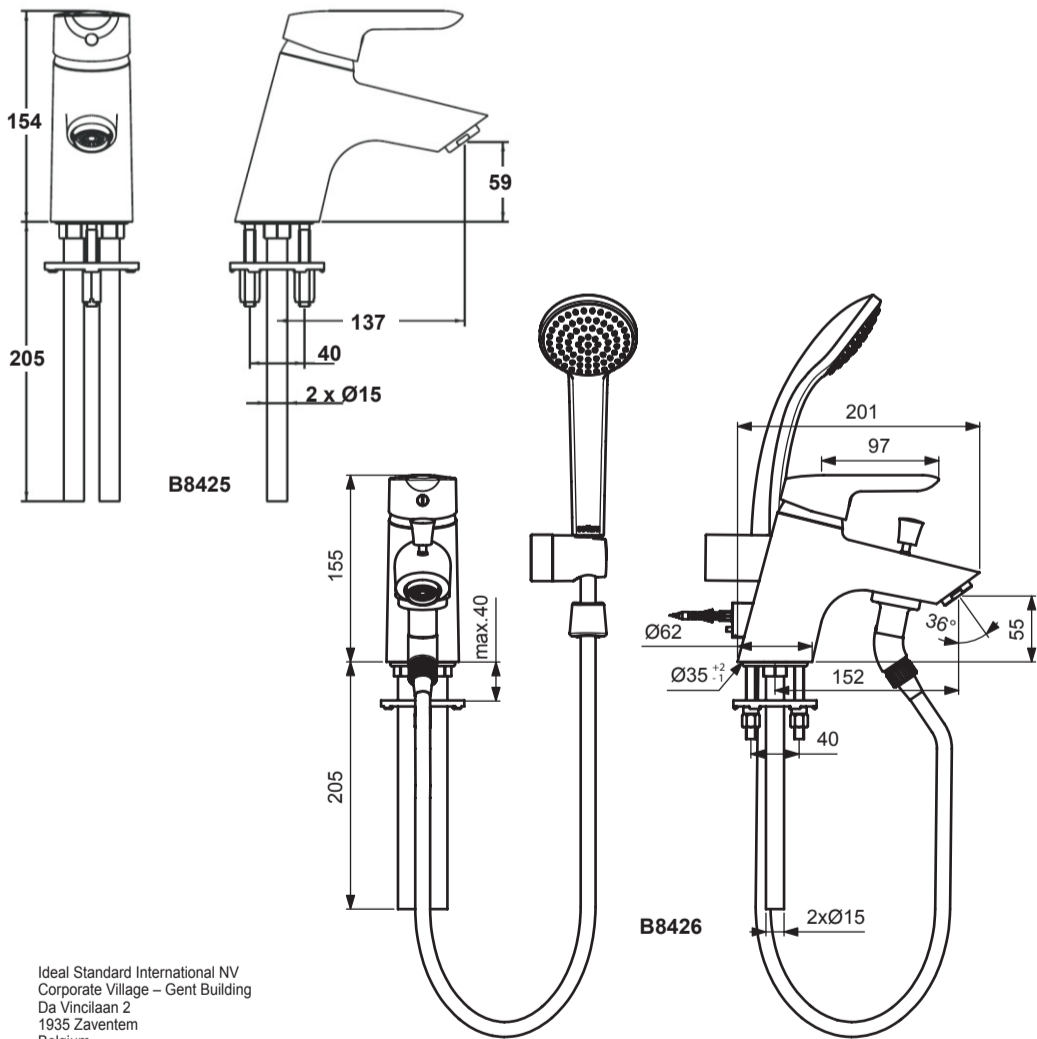


Spares items - 1-Hole Basin & Bidet mixers

Ref.	Description	Part Number
1	Handle	B960702AA
2	Handle screw M5x10	A963309NU
3	Cap(Blue/Red)	A963054NU
4	Rosette	B960276AA
5	Volume stop	A860700NU
6	Screw M4x45.5	-
7	Cartridge 47mm	A960500NU
8	O-Ring-set	-
9	Manifold	-
10	Body	-
11	Flow regulated outlet 5L/min	B960754AA
11a	Flow straightener	A962713NU
12	Easy-fix fixation kit	B964894NU
13	Flex hose	B960756NU
14	O-Ring 10x2.5	-
15	Swivel adaptor	A960019AA
16	Flow straightener	B960653AA
17	Aerator M18x1	B964902AA
18	Clip	-

Figure 7b B8422AA Rosita Bidet Mixer

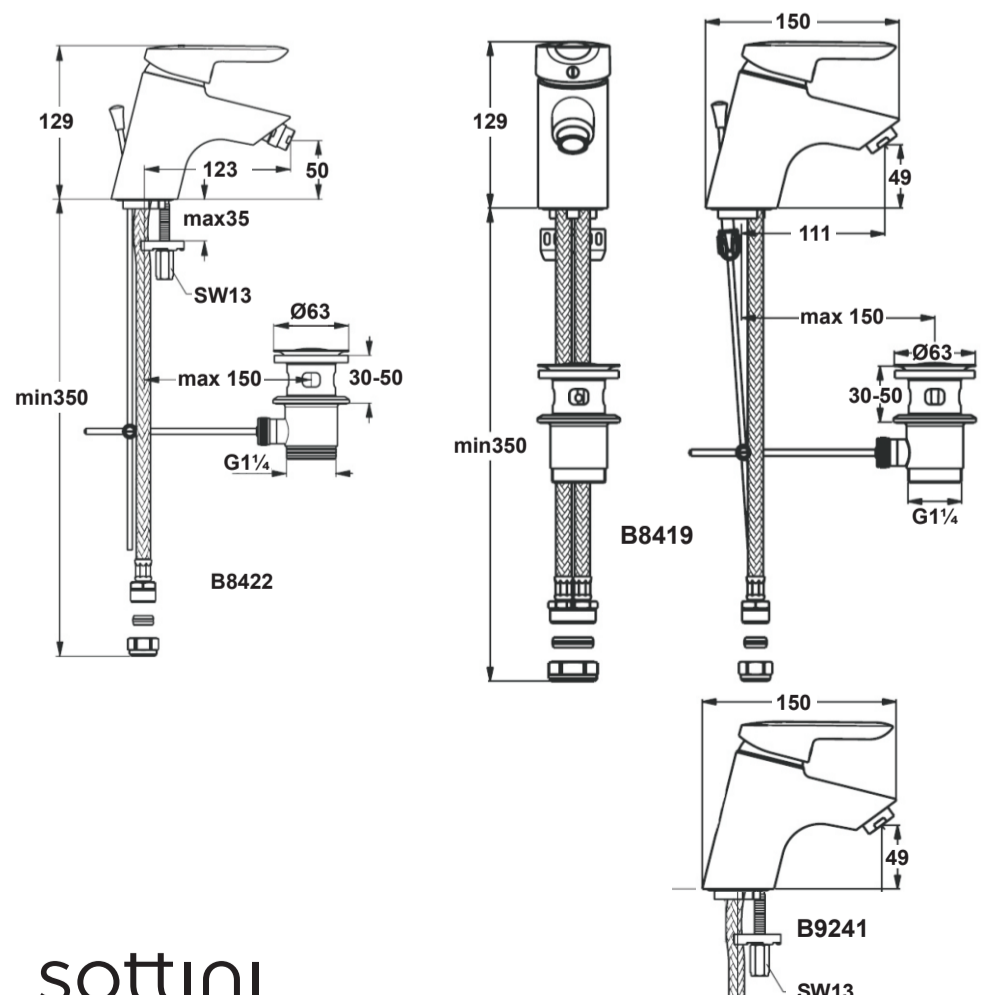
Figure 7a B9241AA Mixer Single Lever without Pop-up



Ideal Standard International NV
Corporate Village - Gent Building
Da Vincilaan 2
1935 Zaventem
Belgium
<http://www.idealstandardinternational.com>

Installation Instructions ROSITA Single Lever Bathroom Fittings

- B8419AA ROSITA BASIN MIXER SINGLE LEVER WITH POP-UP
- B9241AA ROSITA BASIN MIXER SINGLE LEVER WITHOUT POP-UP
- B8422AA ROSITA BIDET MIXER SINGLE LEVER
- B8425AA ROSITA BATH FILLER 1- HOLE SINGLE LEVER
- B8426AA ROSITA BATH SHOWER MIXER 1-HOLE SINGLE LEVER



CUSTOMER CARE HELPLINE
0870 129 6085

CUSTOMER CARE FAX
01482 499611

E-MAIL
UKcustcare@IdealStandard.com

Sottini pursues a policy of continuing improvement in design and performance of its products. The right is therefore reserved to vary specification without notice.

Sottini is a division of Ideal Standard (UK) Ltd

Sottini
The Bathroom Works, National Avenue
Kingston-upon-Hull, HU5 4HS England

4763 01/16

B865372

sottini

INSTALLER: After installation please pass this instruction booklet to user

2 RANGE, SUPPLY CONDITIONS & OPERATION

The fittings covered by this installation and maintenance instruction should be installed in accordance with the water regulations published in 1999*, therefore, Sottini would strongly recommend that these fittings are installed by a professional installer

*A guide to the Water Supply (Water Fittings) Regulations 1999 and the Water Byelaws 2000, Scotland, is published by WRAS (Water Regulations Advisory Scheme) Fern Close, Pen-y-Fan Industrial Estate, Oakdale, Newport, NP11 3EH. ISBN 0-9539708-0-9

WATER SUPPLIES

Rosita single lever fittings are designed for use on systems where the water pressure is a minimum of 0.1 bar (0.2 bar for bidet) and they are suitable for use up to a pressure of 5.0 bar.

It is recommended that the hot and cold supply pressures are reasonably balanced and from a common source.

With the exception of the basin mixers B8419AA & B9241AA, Rosita single lever fittings are supplied with a flow straightener in the spout. When fitting on pressures in excess of 1.0 bar it is recommended that an aerator (not supplied) should be substituted.

The Rosita basin mixers, B8419AA & B9241AA come fitted with a 5 litre/min regulated aerator (B960889NU). A flow straightener insert (A962713NU), which may be preferable where pressures are lower than 1.0 bar, is supplied separately.

CODE FOR SUSTAINABLE HOMES

The Basin and Bidet Mixers are fitted with a "click" mechanism designed to encourage the user to select a flow rate of about 50% of maximum.

Also, both Basin and Bidet mixers are supplied with a regulated aerator loose in the box. This regulated aerator which has a flow rate value of 5 litres/minute should be fitted where an installation is seeking an optimum rating under the Code for Sustainable Homes.

CONNECTIONS

It may be necessary to insert the flexible inlet tails of the Basin and Bidet fittings through the tap hole from below before screwing them into the fitting body as the inlet end connectors may not pass through the tap hole when fitted. Ensure they are tightened before securing the fitting to the tap deck.

- | | |
|-----------------------|---|
| Basin/bidet monoblock | - Flexible inlet tails with 15mm compression connectors |
| Bath Filler | - 15mm copper tails |
| Bath/Shower Mixer | - 15mm copper tails |

For the Bath mixers only it should be noted that the hot supply should be connected on the right and the cold connection on the left. (See Figure 2)

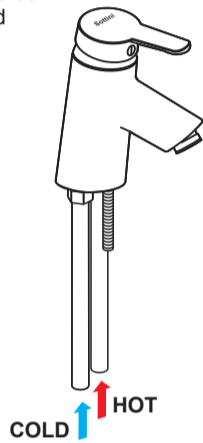


Figure 2 Bath Mixer Connections

3 LOCATION & FIXING

ONE HOLE BATH FILLERS

IMPORTANT NOTE
These one hole bath fittings are designed for a corner installation (see fig 6) or a position along the front side rim of the bath. Do not fit in line with the overflow assembly

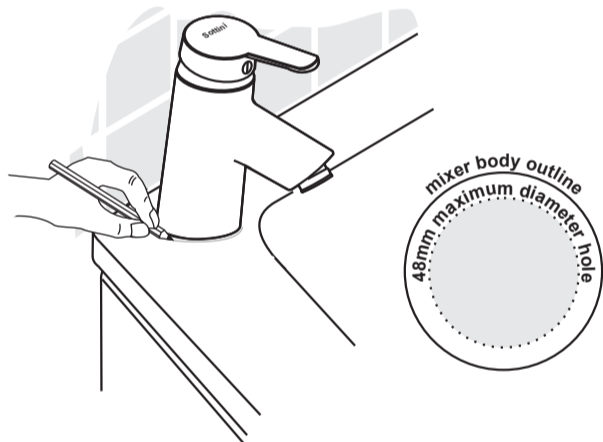


Figure 3 Drilling the bath tub

The one hole bath filler requires a bath supplied without tap holes. The installer will have to drill a 48mm diameter hole in the rim but before doing this it is worth considering the following questions.

- Will a shower screen, if fitted, foul the fitting?
- Is there adequate space for the handle rotation?

Check the position before fitting the inlet tails and draw a pencil line around the base of the mixer (Fig 3).

In the centre of the of the outline, drill a 48mm hole. (It is important not to exceed this size otherwise the sealing washer may not seal correctly.)

4 CARTRIDGE REPLACEMENT

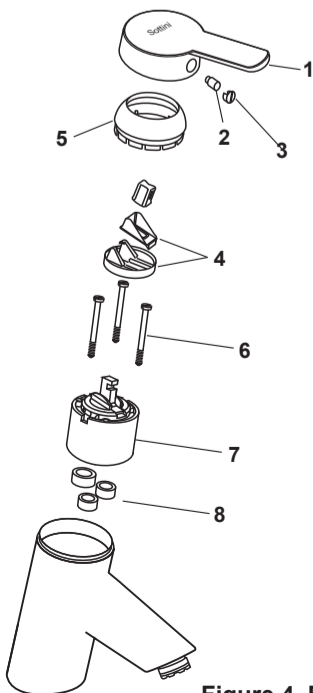


Figure 4 Basin and Bidet Mixers

Basin and Bidet Fittings

1. Turn off both hot and cold water supplies.
2. Raise lever handle fully, remove plastic index cap (3) and undo grub screw (2). Pull off handle.
3. Pull off shroud (5).
4. Remove click mechanism components (4).
5. Undo screws (6). The cartridge (7) can then be lifted out.
6. Ensure seals (8) have been removed with the cartridge.
7. Position new cartridge ensuring the location peg engages in the appropriate hole and reverse the above procedure for assembly.

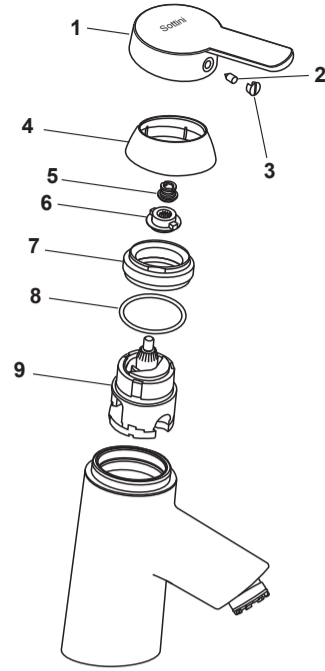


Figure 5 Single Lever Bath Filler

1. Shut off the water supplies.
2. Raise lever handle and prise out index button (3).
3. Unscrew grub screw (2) and pull off handle and shroud (4)
4. Unscrew nut (5) and remove the drive insert (6)
5. Unscrew cartridge retaining nut (7)
6. Lift out the high flow multiport cartridge (9)
7. Position replacement cartridge ensuring that the moulded location pin engages in the location hole and not in one of the inlet ports.
8. Refit locking nut (7) and tighten. The ideal torque is 4 Nm. This is only a little more than hand tight; indeed it is possible to tighten the nut sufficiently wearing stout gloves. If over-tightened the cartridge will be stiff to operate and will have a limited life.
9. Replace handle carrier and lever handle.

5 OPERATION

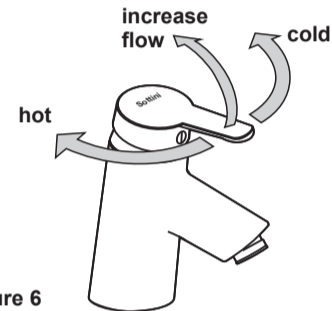


Figure 6

6 CLEANING

When cleaning the fittings always use soap based cleaners. Never use abrasive or scouring powders and never use cleaners containing alcohol, ammonia, nitric acid, phosphoric acid or disinfectants.

7 SPARE PARTS

Spares items - 1-hole bath mixers

Ref.	Description	Part Number
1	Lever, with Sottini logo	B960701AA
2	Screw M4x8	B960491NU
3	Cap(Blue/Red)	A963054NU
4	Cap	B960493AA
5	Drive insert nut M6	-
6	Drive insert	A960034NU
7	Multiport locking ring	A963022NU
8	O-Ring 35x3.2	A962715NU
9	Multiport cartridge 40 high flow	A960145NU
10	Diverter knob	B960514AA
11	Body bath/shower, RM	-
12	Flow straightener M28x1	A960460AA
13	O-Ring 31.47x1.778	-
14	Nipple M36x1/M34x1.5	-
15	Diverter set	B960495AA
16	Elbow set	B960496AA
17	Non return valve	B961346NU
18	Connecting set	B960492NU
19	Inlet tails 15mm Copper	A960133NU
20	Flex.hose G1/2/1800mm	A963173NU
21	Wall bracket	B960925AA
22	Wall fix	-
23	Handspray	-

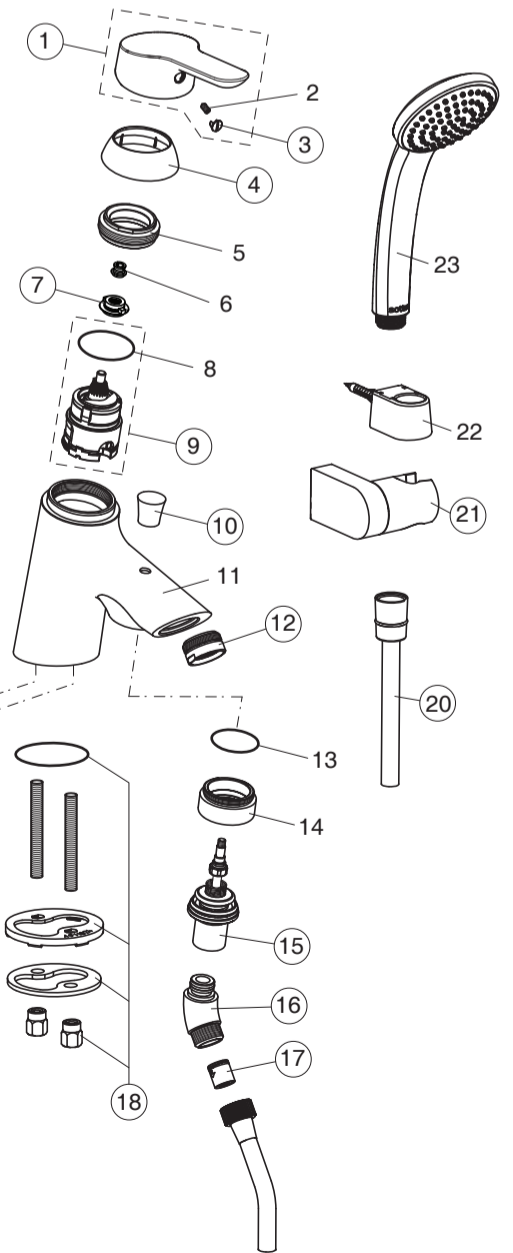


Figure 9 B8426AA Rosita Bath Shower Mixer 1-hole Single Lever

Figure 8 B8425AA Rosita Bath Filler 1-Hole Single Lever