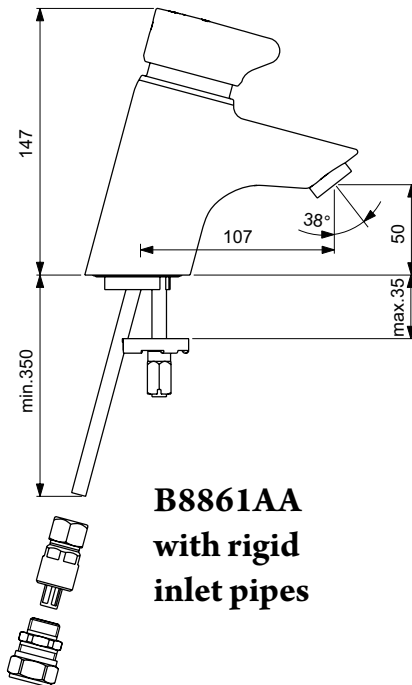
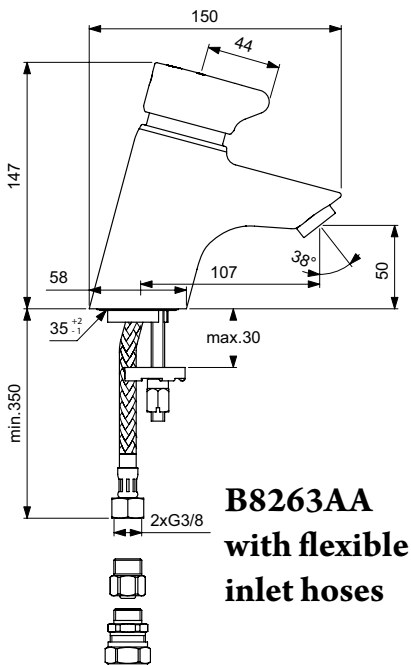


Armitage Shanks

INSTALLATION INSTRUCTIONS

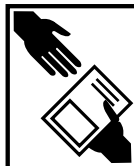
AVON 21



**Self closing basin monobloc mixers – push button
with variable temperature**

IMPORTANT
BEFORE CONNECTION, FLUSH WATER THROUGH PIPEWORK TO REMOVE
ALL DEBRIS ETC. WHICH COULD DAMAGE THE VALVE MECHANISM

INSTALLER: After installation please pass this instruction booklet to user



Contents

1	Product box contents	3
2	Supply conditions	4
3	Water regulations	4
4	Installation guide	5
5	Flexible hoses	8
6	Tap operation	8
7	Outlet options	9
8	Run time adjustment	9
9	Maintenance (clearing pilot hole)	10
10	Cartridge replacement	12
11	Spare parts	13
12	Cleaning chrome surfaces	15



Avon 21 Self closing basin monobloc mixer

These products are designed for handwashing applications in washroom environments.

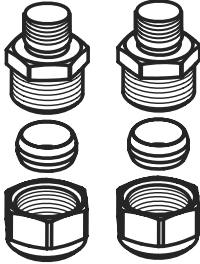
These Avon 21 products are self closing mixers designed for water economy. The product is fitted with a simple press down handle for easy actuation. Rotation of the handle permits water temperature adjustment. The run-time until automatic shut off is adjustable. These products are fitted with anti-vandal outlets. Inlet check-valves are supplied with integral filters.

Two versions of these mixers are available:

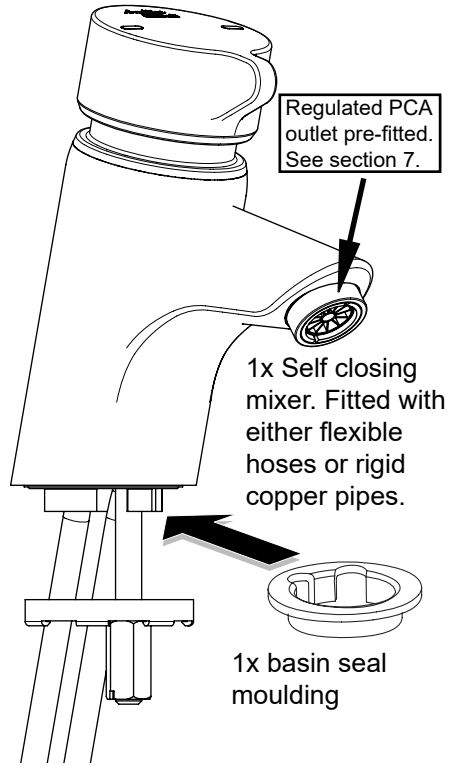
B8263AA fitted with flexible inlet hoses.

B8861AA fitted with rigid copper inlet pipes.

1. Product box contents



2x Adaptors
G3/8" male thread
to 15mm compression

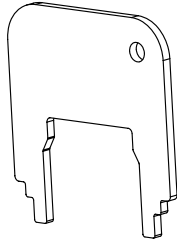


Regulated PCA
outlet pre-fitted.
See section 7.

1x Self closing
mixer. Fitted with
either flexible
hoses or rigid
copper pipes.

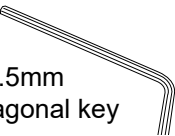
1x basin seal
moulding

1x run time
adjustment key

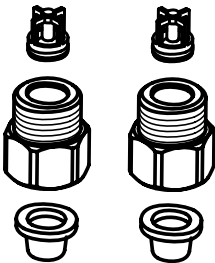


1x outlet key

1x 2.5mm
hexagonal key

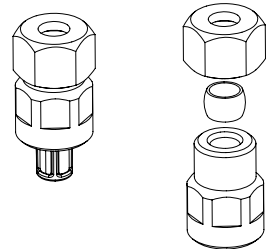


2x Check valve
& filter housing



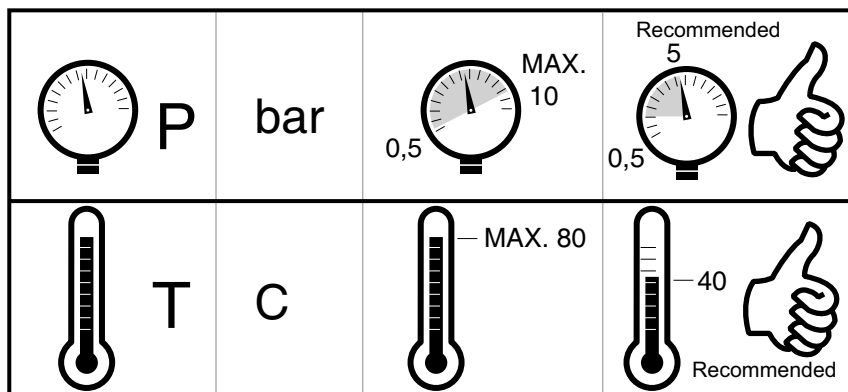
**SUPPLIED WITH
FLEXIBLE HOSE
PRODUCT
B8263AA ONLY**

2x Check valve
& filter housing



**SUPPLIED WITH
RIGID PIPE
PRODUCT
B8861AA ONLY**

2. Supply conditions



Supply temperatures:

Avoid supplying scalding water to the HOT inlet. Hot water temperature supply should be controlled to circa 40°C.

In order to maintain water quality, the hot supply should be stored & distributed at a temperature greater than 55°C.

Use of an appropriate temperature reduction device (i.e. tee pattern thermostat) is recommended to ensure delivery of safe hot water temperatures from the mixer. Armitage Shanks recommends use of A5900AA, to purchase please contact our customer care.

Supply pressures:

This product should be plumbed to balanced pressure water supplies for best mixing performance.

The recommended working pressure for self closing mixers is 0.5 to 5.0 bar. Exceeding this pressure will adversely affect the operation of the mixer.

This adverse affect can be overcome by using PRV to reduce the pressure accordingly.

3. Water regulations

The fittings covered by this installation and maintenance instruction should be installed in accordance with the water regulations published in 1999*, therefore Armitage Shanks would strongly recommend that these fittings are installed by a professional installer

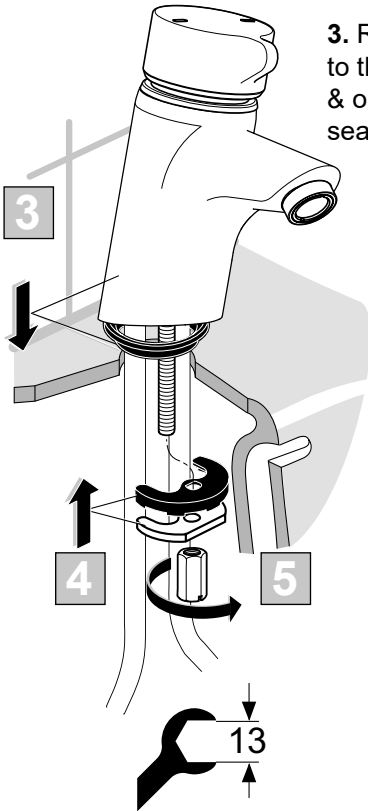
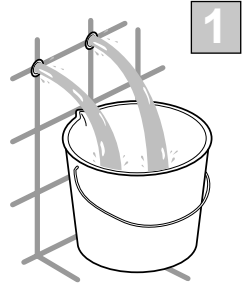
* A guide to the water Supply (Water Fittings Regulations 1999 and the Water Byelaws 2000, Scotland is published by WRAS (Water Regulations Advisory Scheme) Unit 13, Willow Road, Pen-y-Fan Industrial Estate, Crumlin, Gwent, NP11 4EG.
ISBN 0-9539708-0-9

4. Installation guide



1. Before connection, flush water through pipe-work to remove all debris etc. to prevent damage to the valve mechanism.

2. ENSURE WATER SUPPLIES HAVE BEEN ISOLATED.



3. Remove the fixing kit parts if already assembled to the fixing stud. Ensure the basin seal is in place & orientated as shown. The larger diameter of the seal should locate into the base recess of the mixer. Offer the mixer towards the basin hole.

Product with rigid pipes will go through basin hole easily. Product with flexible hoses will require hoses to be manipulated into the basin hole one at a time.

4. Attach the rubber gasket to the clamping plate. With the gasket uppermost slide this assembly onto the fixing stud using the hole in the gasket & plate.

5. Hand tighten the nut against the clamping plate until the rubber gasket makes contact with the underside of the basin. Ensure the mixer spout is positioned correctly, & then tighten the nut securely with a 13mm A/F socket (or spanner).

Remember to fit isolating valves*.

*Isolation valves should be fitted to permit future maintenance of this product.

Ensure LEFT inlet (flexible hose or rigid pipe) is connected to the HOT supply & conversely the RIGHT inlet to the COLD.



DO NOT apply heat near this product. Heat generated by soldering could damage plastic parts and seals.

4. Installation guide continued ...

6. Slip the compression nuts & olives (from the adaptors) onto the Ø15mm supply pipes. Push the adaptors onto the supply pipes up to the shoulder. Slide the olive up to the adaptor & tighten the compression nut with 24mm A/F spanner. Hold the adaptor steady with 22mm A/F spanner.

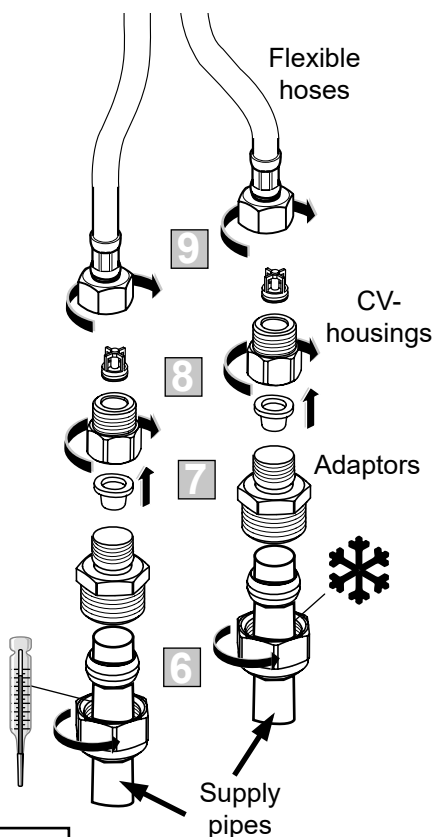
Proceed with either **flexible hose installation** as detailed below or **rigid pipe installation** as detailed on the next page.

7. **Flexible hose installation** is illustrated here. Check-valves (CV), seals & filters should be located in the CV-housing as shown.

8. Tighten the CV-housings onto the adaptors. Ensure seal is in place. Use 19mm A/F spanner. Hold the adaptor steady with 22mm A/F spanner.

9. Fit the flexible hoses to the top of the CV-housings & tighten the flexible hose nuts using 19mm A/F spanner.

B8263AA with flexible inlet hoses



NOTE FOR IRELAND: 15mm olives are supplied with this product. Use 1/2" olives if 1/2" supply pipes are fitted.

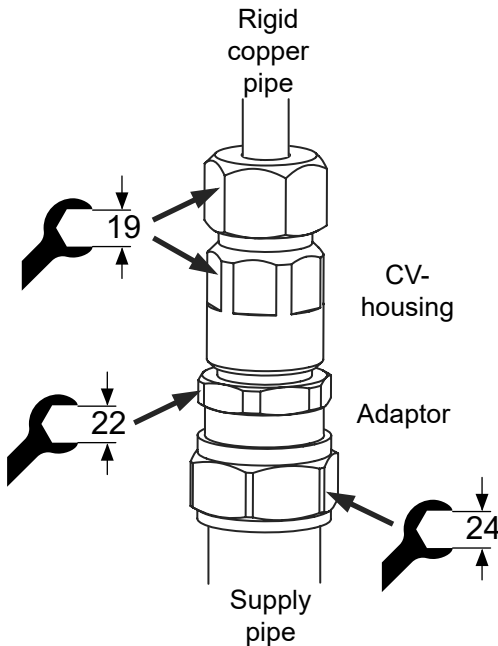
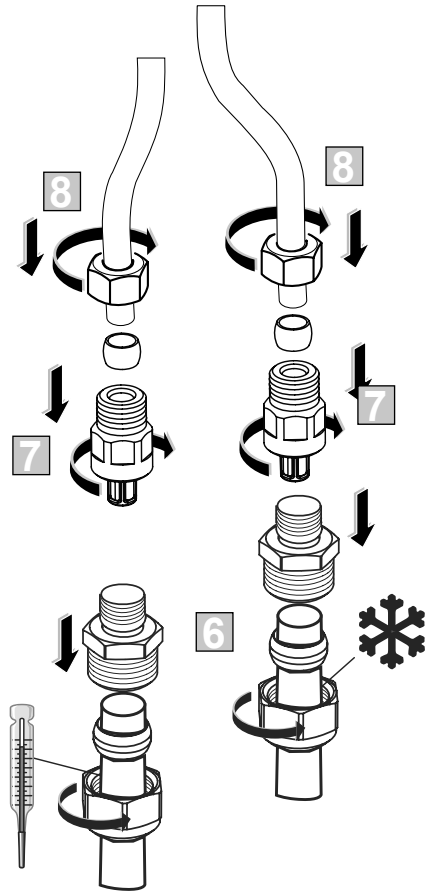
SEE SECTION.5 FOR GUIDELINES ON INSTALLING FLEXIBLE HOSES

4. Installation guide continued ...

For rigid pipe installation the CV-housing differs, but is fitted using the same method.

7. Tighten the CV-housings onto the adaptors. Ensure seal is in place. Use 19mm A/F spanner. Hold the adaptor steady with 22mm A/F spanner.

8. Trim the rigid pipe to the appropriate length (allow at least 15mm of engagement). Slide the pipe into the top of the CV-housing & tighten the nut.



B8861AA with rigid inlet pipes

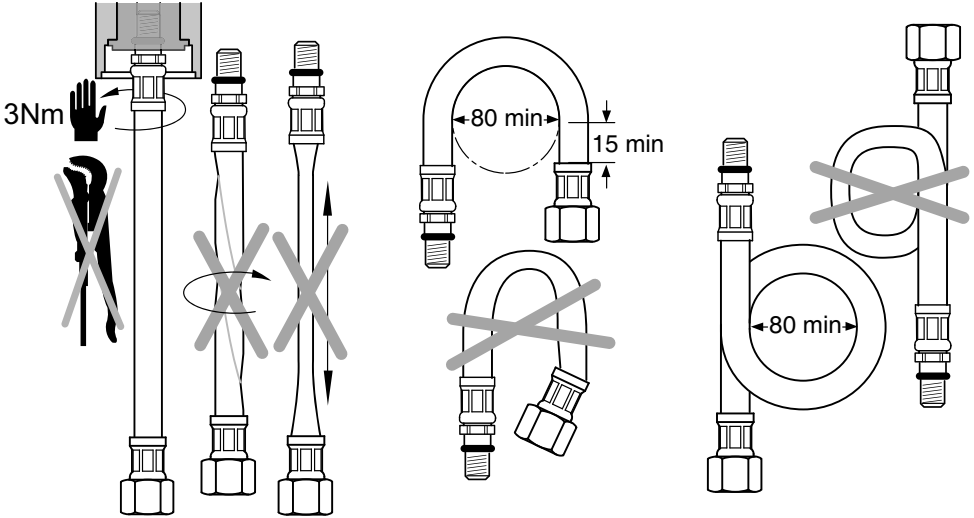
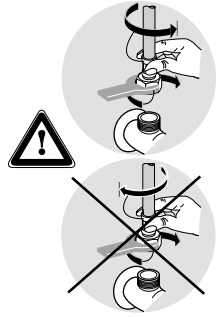
NOTE FOR IRELAND: 15mm olives are supplied with this product. Use 1/2" olives if 1/2" supply pipes are fitted.

RESTORE SUPPLIES & CHECK ALL JOINTS FOR LEAKS

5. Flexible hoses (B8263AA only)



Flexible hoses fitted are hand tightened into the mixer. Tightening with tools to achieve a good seal is not necessary. Avoid sharp bends, twisting, kinking & stretching these hoses as this may result in damage. Hold the flexi hose steady whilst tightening the nut.



6. Tap operation







To operate this product, simply press the handle downwards & then release. Water will flow for the pre-set time (adjustable in seconds) & then the tap will self close. To adjust the water temperature, rotate the handle as shown. Clockwise rotation will increase the water temperature.

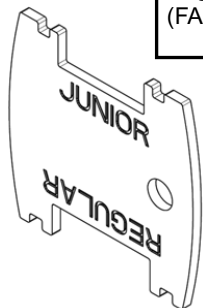


7. Outlet options



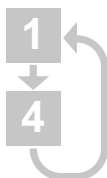
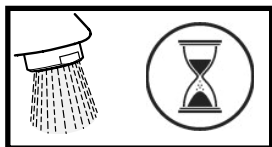
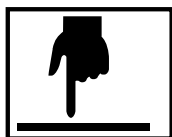
The product is factory fitted with a PCA regulated outlet which is secured with an anti-vandal (AV) housing.

Flow straightener Laminar Flow (SOLD SEPARATELY)	P 3,0bar		Q 11 L/min	
Regulated PCA outlet (FACTORY FITTED)	P 3,0bar		Q 3.7 L/min	



To change the outlet, use the outlet key supplied with the product to unscrew the AV housing. Using the side of the key marked "junior" locate the key into the inner ring of the housing and unscrew. Change the outlet & re-secure the housing with the key, ensuring the seal is in place.

8. Run time adjustment

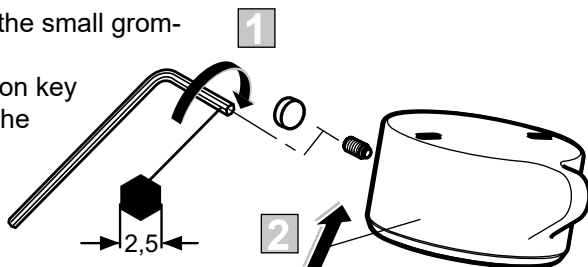


This is a water saving product & is supplied set with a short run time. A run time of typically 5 to 20 seconds will suit most applications.

The run time can be adjusted as detailed below; first the handle must be removed.

1 & 2 Handle removal

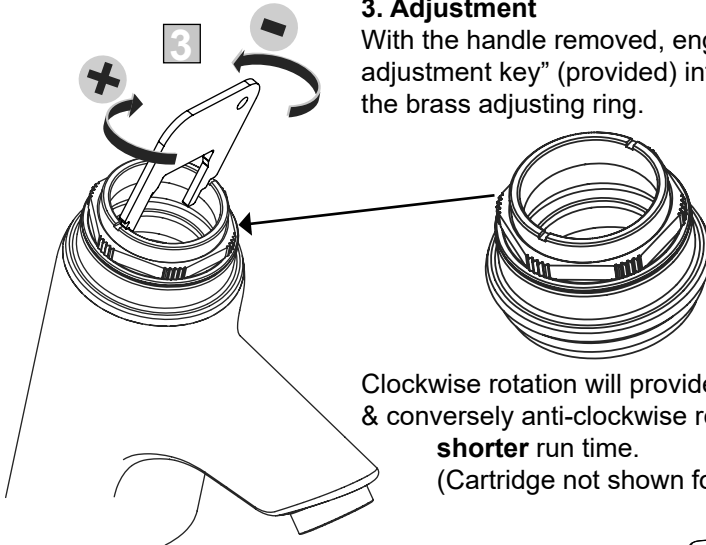
To remove the handle prise out the small grommet located at the rear of the handle. Insert the 2.5mm hexagon key (supplied) into the hole & undo the grub screw a few turns. The handle should lift off from the tap body.



8. Run time adjustment continued ...

3. Adjustment

With the handle removed, engage the “run time adjustment key” (provided) into the cut-outs in the brass adjusting ring.

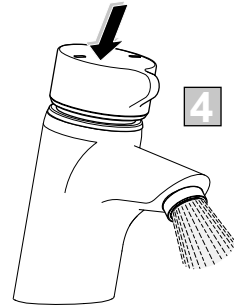


Clockwise rotation will provide **longer** run time, & conversely anti-clockwise rotation will provide **shorter** run time.

(Cartridge not shown for clarity)..

4. Check run time

Replace the handle temporarily & press it to check the run time. If the run time is satisfactory secure the handle (reverse sequence above). Otherwise remove the handle & make further adjustments.



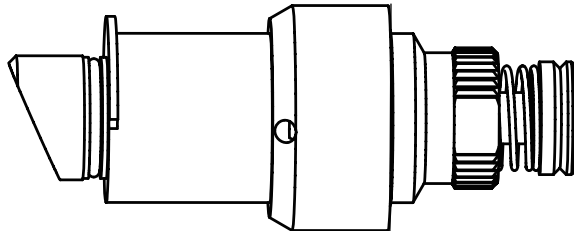
9. Maintenance (clearing pilot hole)



In the event that the tap begins to run continuously, it will be necessary to manually clear the pilot hole inside the cartridge.

Handle removal: Firstly remove the handle as detailed in section 8. ENSURE WATER SUPPLIES HAVE BEEN ISOLATED.

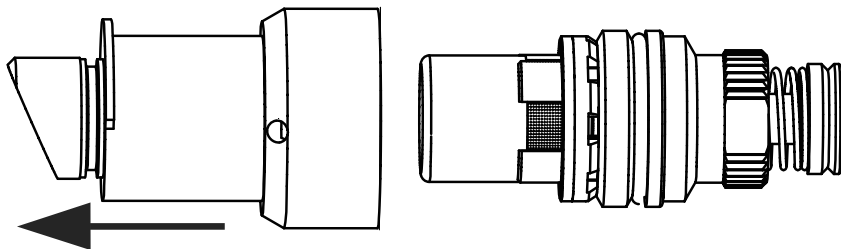
Remove the cartridge from the tap body as detailed in section 10.



To access the cartridge assembly, first remove the brass housing shown. The lobe on the brass housing will prevent rotation when secured gently in a vice. Use 22mm spanner to unscrew the cartridge from the housing.

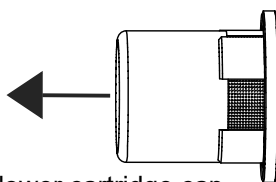
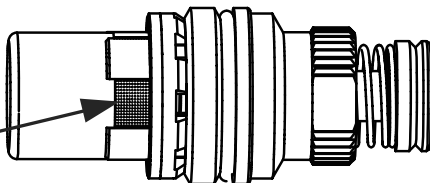
TAKE CARE TO
AVOID DAMAGING
BRASS HOUSING

9. Maintenance (clearing pilot hole) continued ...

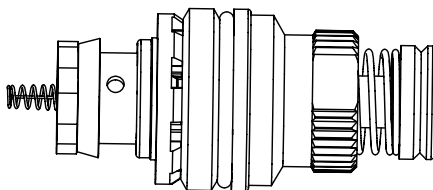


Complete cartridge
sub assembly

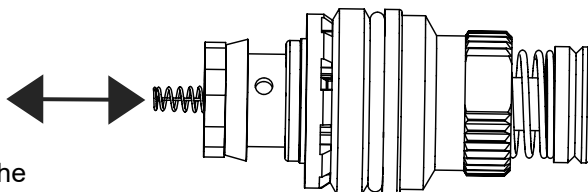
Filter screen



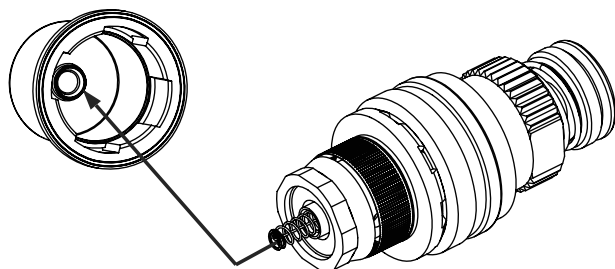
Gently pull off lower cartridge cap



Press the spring a few times
with a finger. This will exercise the
pilot pin (integral to spring) and clear the pilot hole.

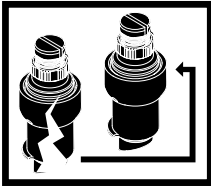


Before reassembling the cartridge cap, make sure that the filter screen is clean (slides out from inside of cap). When reassembling, take care to ensure the spring is straight & locates correctly into the boss at the bottom of the cap moulding.



Finally refit the cartridge
back into the brass housing,
refit into mixer, reset the
run-time & fit the handle.

10. Cartridge replacement



Before deciding on a replacement cartridge make sure:

1. The cartridge filter is not blocked with debris. If debris is found, clean the filter.
2. Check the pilot hole in the cartridge is clear.

For more details see section 9.

After cleaning, refit the cartridge & recheck the product

Handle removal: Firstly remove the handle as detailed in section 8.

ENSURE WATER SUPPLIES HAVE BEEN ISOLATED.

3. With the handle removed, use a 41mm A/F spanner to unscrew the chrome shroud.
Lift off the chrome shroud complete with brass adjusting ring.

4. The cartridge & brass housing assembly can now be lifted out of the mixer body.

5. The cup seal can be lifted out of the mixer if necessary.

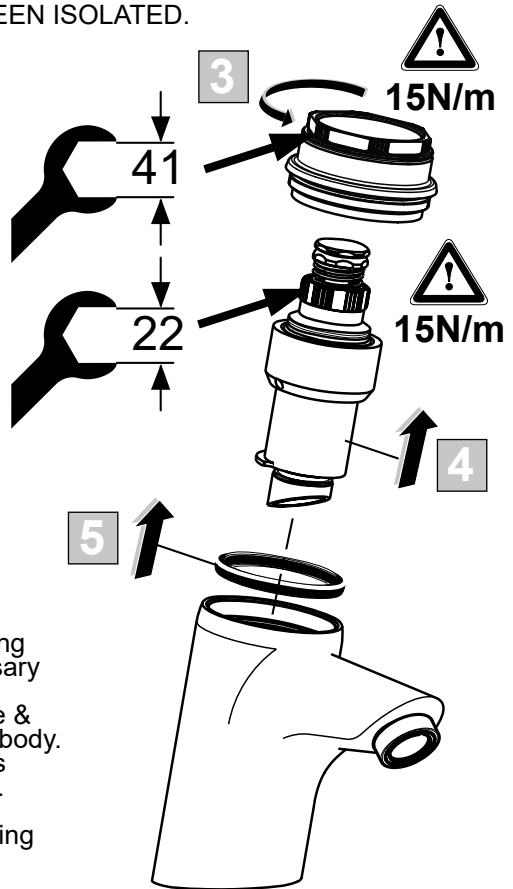
To remove the cartridge from the brass housing, see section 9.
A 22mm A/F spanner is required.

To reassemble

Fit a new cartridge into the brass housing & tighten to 15Nm. Use a vice if necessary (taking care not to damage parts).
With cup seal in position, slide cartridge & brass housing assembly into the mixer body. Ensure the lobe on the brass housing is towards the rear of the mixer as shown.

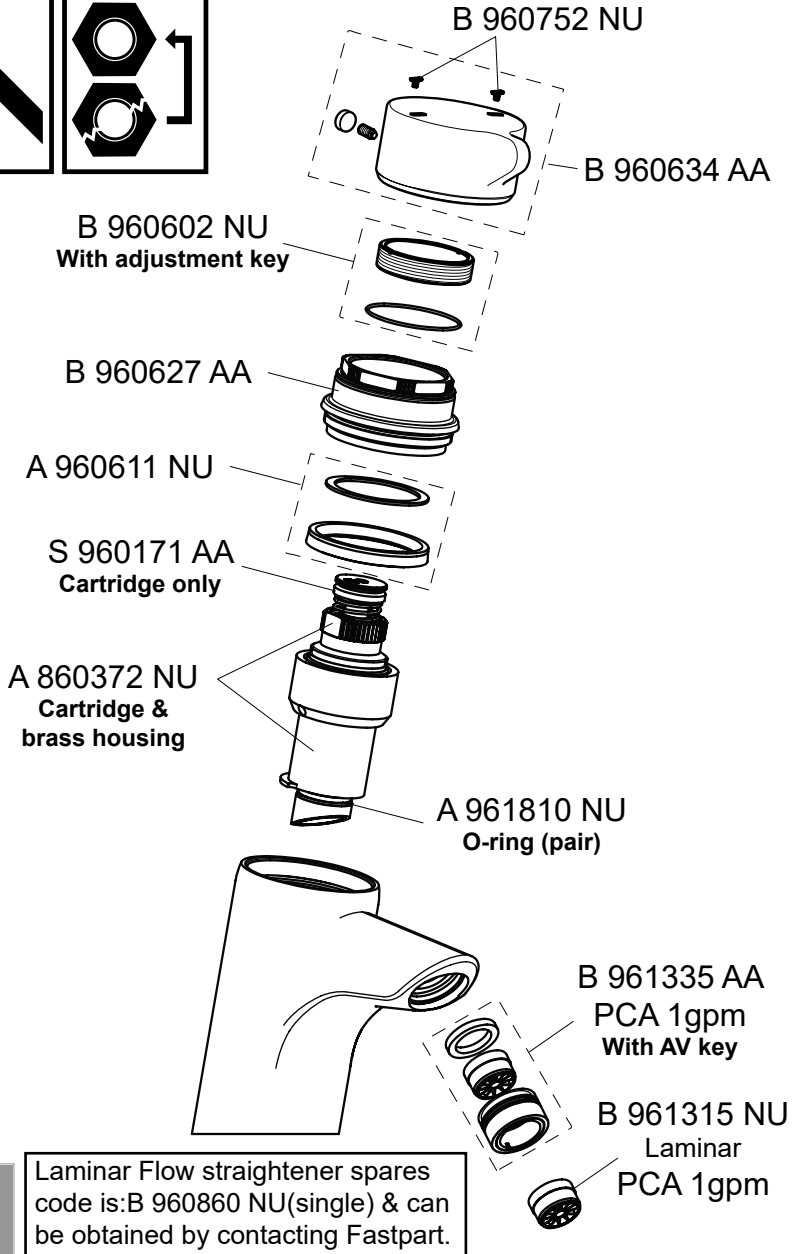
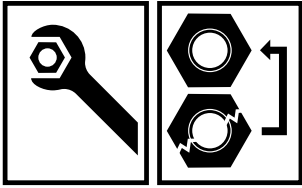
Replace the chrome shroud with adjusting ring & tighten to 15Nm.

Adjust the run time as detailed in section 8.
Finally refit the handle.



TAKE CARE NOT TO DAMAGE CHROMED SURFACES

11. Spare parts (above the basin items)



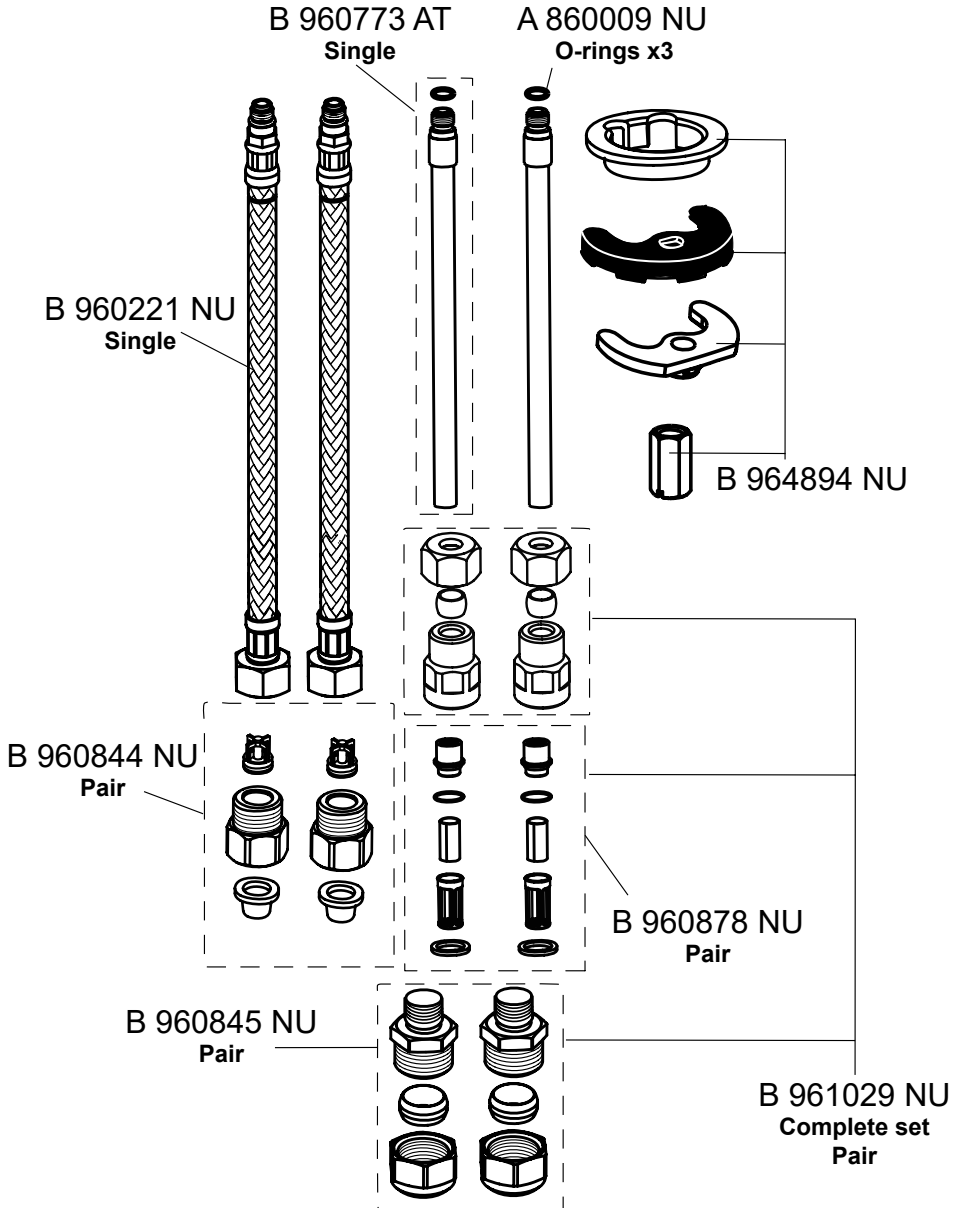
Laminar Flow straightener spares code is: B 960860 NU (single) & can be obtained by contacting Fastpart.



For more information on spares, visit our spares website: www.fastpart-spares.co.uk. Or contact customer care.

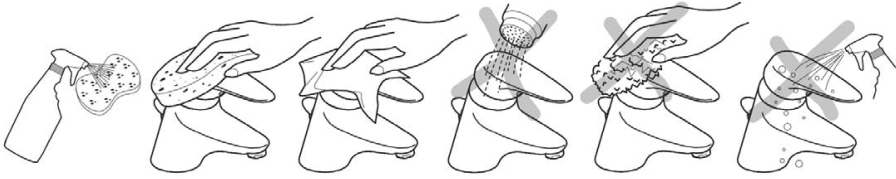
11. Spare parts continued ...

Below the basin items:



For more information on spares, visit our spares website: www.fastpart-spares.co.uk. Or contact customer care.

12. Cleaning chrome surfaces



When cleaning chromed products use only a mild detergent, rinse & wipe dry with a soft cloth. Ideally clean after each use to maintain appearance.

Never use abrasive, scouring powders or scrapers. Never use cleaning agents containing alcohol, ammonia, hydrochloric acid, sulphuric acid, nitric acid, phosphoric acid, organic solvents or disinfectants.

Use of incorrect cleaning products / methods may result in chrome damage which is not covered by the manufacturer's guarantee.



Outlet cleaning

On a regular basis the outlet should be inspected & cleaned. To unscrew and remove the outlet, see section 7.

In areas where lime scale build-up is prevalent this should be avoided by regular cleaning. If it should build up, it will have to be removed. An inhibited proprietary scale solvent can be used such a kettle de-scaling solvent but it is important to follow the manufacturer's guidelines. After de-scaling it is important to rinse the parts thoroughly in clean water.

Clean carefully and do not use abrasive materials or scrapers



For more information about our products & spares visit our website:

www.idealstandard.co.uk

B865286 05/21

AFTER SALES NON RESIDENTIAL HELPLINE

0870 122 8822

AFTER SALES NON RESIDENTIAL FAX

0870 122 8282

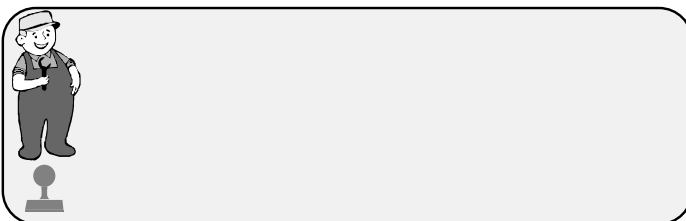
E-MAIL

aftersalesnonresidential@idealstandard.com

Armitage Shanks pursues a policy of continuing Improvement in desing and performance of its products. The right is therefore reserved to vary specification without notice.

Armitage Shanks is a division of Ideal Standard (UK) Ltd.

Armitage Shanks
The Bathroom Works, National Avenue
Kingston-upon-Hull, HU5 4HS England



*Armitage
Shanks*

Ideal Standard International NV
Corporate Village - Gent Building
Da Vincilaan 2
1935 Zaventem
Belgium