

Sottini™

Alchemy™

MONOBLOCK LAVATORY FAUCET

Installation Instructions

9052.100
9052.101
9052.500

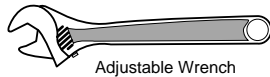


Certified to comply with ANSI A112.18.1
M968266A

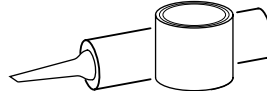
Thank you for selecting Sottini Products.

To ensure that your installation proceeds smoothly--please read these instructions carefully before you begin.

Recommended Tools & Materials



Adjustable Wrench



Plumbers' Putty or
Caulking



Regular Screwdriver



Phillips Screwdriver



Channel Locks

1 INSTALL FAUCET

CAUTION

Turn off hot and cold water supplies before beginning.

Installation with ESCUTCHEON (Optional) (9052.101)

For 3-hole lavatory or countertop with (4" centers)
For center hole only with ESCUTCHEON

- Assemble BLUE SEAL (1) and BLACK SEAL (2) together as shown in Figure 1a. Collar of BLUE SEAL (1) should face down. BLACK SEAL (2) fits around collar of Blue seal (1).
- Seat the assembled SEALS (1&2) into groove in faucet base.
- Apply putty to underside of ESCUTCHEON (3) and place over holes in sink deck with tab towards front.
- Feed FAUCET SUPPLIES (4) and MOUNTING STUD (5) through the center mounting hole of lavatory or mounting surface.
- From below, push RETAINING WASHER and GASKET (6) onto STUD (5). Secure Faucet with MOUNTING NUT (7), pulling faucet to front of sink, so STUD (5) rests against sink hole. Before final tightening, adjust faucet so that it is centered. Tighten MOUNTING NUT (7) to complete mounting.

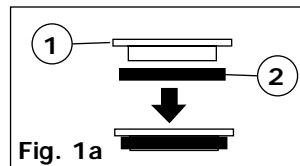


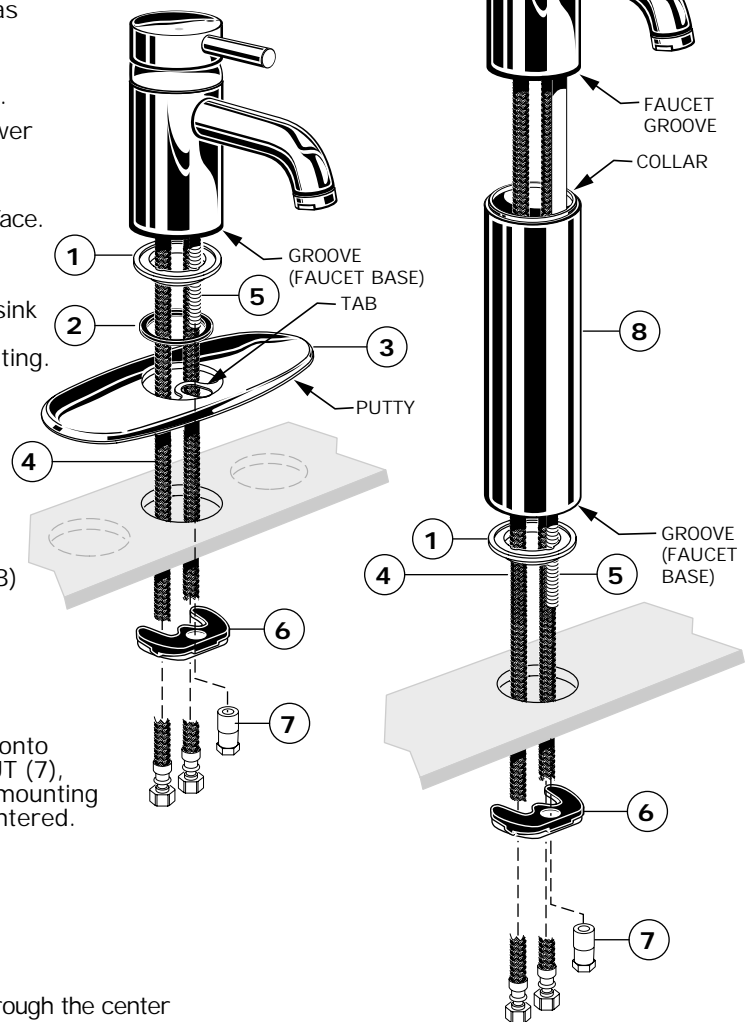
Fig. 1a

Installation with EXTENSION (8) (9052.500)

For single hole only.

NOTE: The FAUCET with EXTENSION (8) (9052.500) is used for installation with above-counter sinks.

- With the collar of the EXTENSION (8) facing up slide the EXTENSION (8) over the FAUCET SUPPLIES (4) and the MOUNTING STUD (5). The collar of the EXTENSION (8) fits into the groove of the faucet.
- Seat only the BLUE SEAL (1) into groove in faucet base with collar facing down. Feed FAUCET SUPPLIES (4) and MOUNTING STUD (5) through mounting hole of deck.
- From below, push RETAINING WASHER and GASKET (6) onto MOUNTING STUD (5). Secure Faucet with MOUNTING NUT (7), pulling faucet to front of sink, so STUD (5) rests against mounting hole. Before final tightening, adjust faucet so that it is centered. Tighten MOUNTING NUT (7) to complete mounting.



Installation without ESCUTCHEON (3) (9052.100)

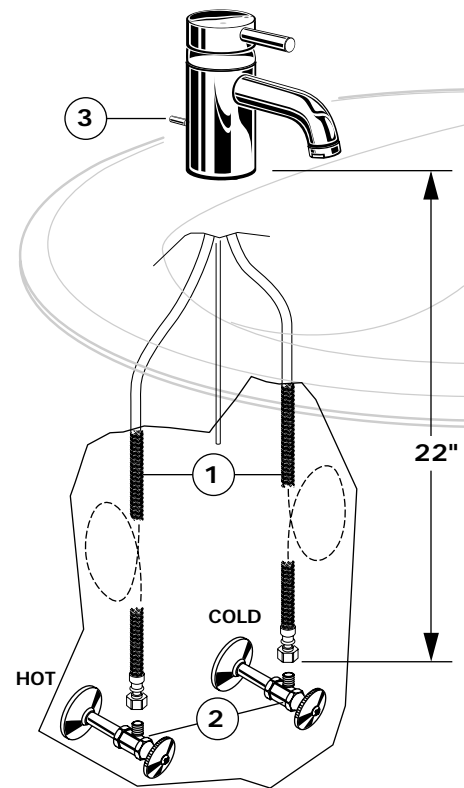
For single hole only.

- Seat only the BLUE SEAL (1) into groove in faucet base with collar facing down.
- Feed FAUCET SUPPLIES (4) and MOUNTING STUD (5) through the center mounting hole of lavatory or mounting surface.
- From below, push RETAINING WASHER and GASKET (6) onto MOUNTING STUD (5). Secure Faucet with MOUNTING NUT (7), pulling faucet to front of sink, so STUD (5) rests against mounting hole. Before final tightening, adjust faucet so that it is centered. Tighten MOUNTING NUT (7) to complete mounting.

2 MAKE WATER SUPPLY CONNECTIONS

FLEXIBLE HOSES (1) on faucet are 22" in length from base of faucet. If longer supply length is needed installer must supply adapters and additional supplies to complete connections. **Important: If SUPPLY HOSES (1) are to long, loop as illustrated to avoid kinking .**

- Connect FLEXIBLE HOSES (1) to Hot and Cold SHUT-OFF VALVES (2).
- Use adjustable wrench to tighten connections. Do not over tighten.
- Install POP-UP ROD (3).



3 INSTALL POP-UP DRAIN

- Push Tail piece (11) down into Trap (C) (threaded end up).
- Thread Locknut (5), Washer (4) and Gasket (3) (Bevel side up) onto Drain Body (10).
- Apply a bead of Putty (D) to underside of Flange (2).
- Feed Drain Body (10) up through Sink (A) and thread the Flange (2) fully onto Drain Body (10).
- Tighten Locknut (5) firmly, keeping the pivot rod hole pointed towards the back of the sink.
- Assemble Pivot Rod (9) as shown in **Figure-3A**. Notice the position of the Concave Washer (G).
- Insert Pivot Rod (9) into Drain Body (10) and tighten Pivot Nut (F).
- Push TAILPIECE INSERT (12) into TAILPIECE (11) and push TAILPIECE up and thread tightly into DRAIN BODY (10).
- Position Extension Rod (7) onto Pop-Up Rod (E) and tighten Thumbscrew (6).
- Remove one end of Clip (8) from Pivot Rod (9) by squeezing ends together while sliding.
- Insert Pivot Rod (9) into second or third hole in Extension Rod (7) and reassemble Clip (8).
- Drop Stopper (1) into Drain Body (10).
- Adjust stopper height by repositioning Extension Rod (7) and tightening Thumbscrew (6).

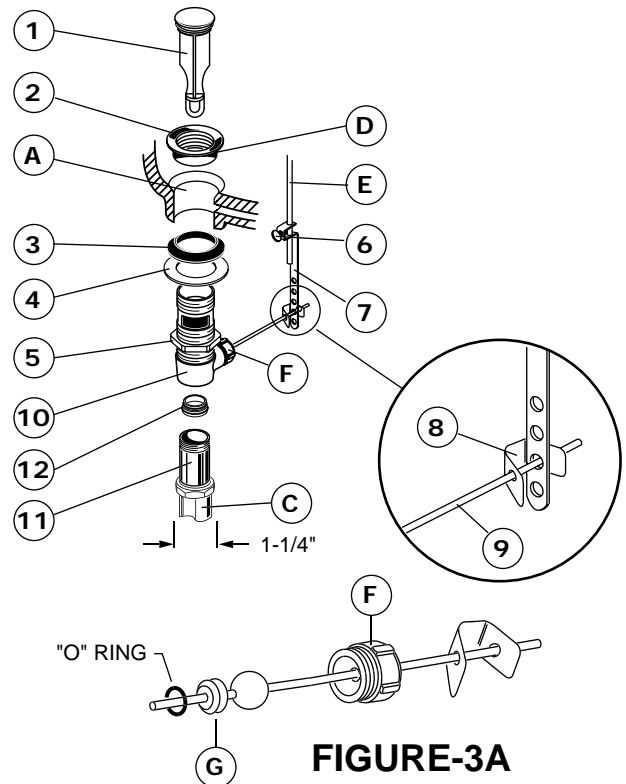
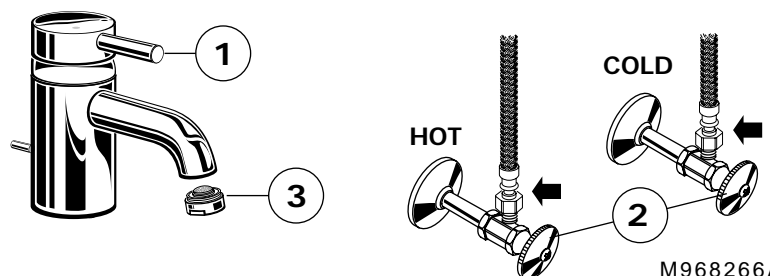


FIGURE-3A

4 TEST INSTALLED FAUCET AND CHECK FOR LEAKS

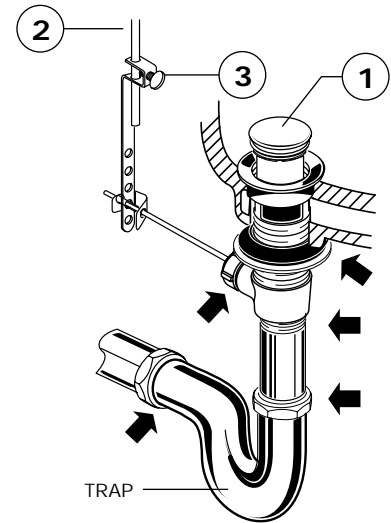
- With HANDLE (1) in OFF position, turn on WATER SUPPLIES (2) and check all connections for leaks.
- Remove AERATOR (3).
- Operate HANDLE (1) to flush water lines thoroughly.
- Replace AERATOR (3).



5

CHECK DRAIN CONNECTIONS

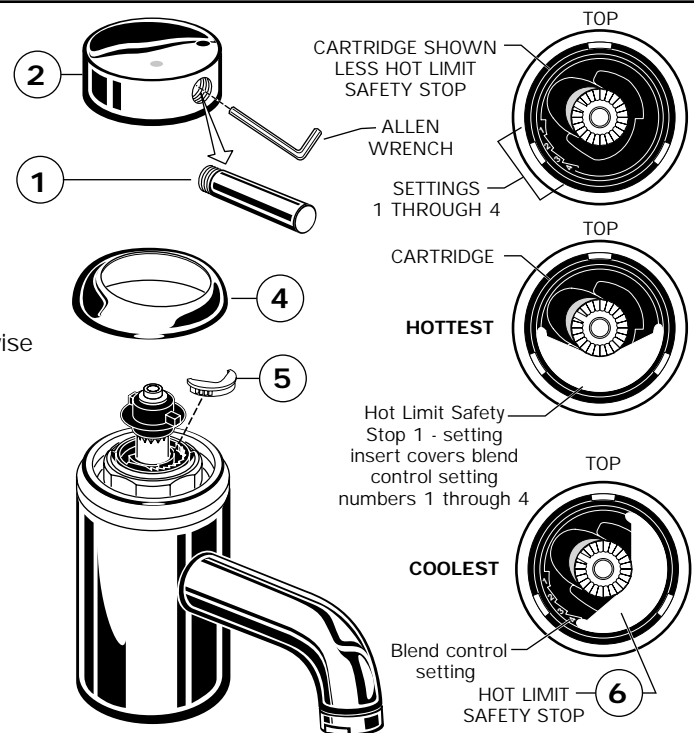
- Operate Lift Rod and fill lavatory with water. Check that DRAIN STOPPER (1) makes a good seal and retains water in lavatory. If necessary adjust stopper height by repositioning Lift Rod (2) and tightening Thumbscrew (3).
- Release DRAIN STOPPER (1) and check all drain connections and "P" trap for leaks. Tighten if necessary.



6

ADJUST HOT LIMIT STOP

- Turn on valve and allow water supply temperatures to stabilize. Move HANDLE (2) to full HOT setting. Check water temperature.
- To reduce the maximum hot water temperature:
 - Unthread HANDLE LEVER (1). Loosen Set Screw in HANDLE (2) with Allen Wrench and pull off Handle (2) from Cartridge Stem. Pull off Cartridge Cover (4).
 - Lift HOT LIMIT SAFETY STOP (5), rotate counterclockwise one notch and replace. Check water temperature and repeat if necessary. Unit is factory set at "1" (full HOT water). As the setting number increases, more cold water is mixed in the full HOT handle position.
 - Replace Cartridge Cover (4). Replace Handle (2) and tighten Set Screw. Thread HANDLE LEVER (1) into HANDLE (2).



7

CARE INSTRUCTIONS:

- To keep your new faucet looking new, please follow these simple care instructions:
 - DO:**
 - Simply rinse the faucet clean with clear water.
 - Dry the faucet with a soft cotton cloth.
 - DO NOT:**
 - Do not use any abrasive cleaners, cloths, or paper towels.
 - Do not use any cleaning agents containing acids, polish abrasives, or harsh cleaners or soaps.
- Regular and routine cleaning will reduce the need for heavy cleaning and polishing. If heavy cleaning is required, the following procedures are recommended:
 - Remove as much surface dirt and film using clear water and soft cotton cloth (as described above).
 - Use any of the following to remove tough surface film and build-up:
 - Mild liquid detergents
 - Clear ammonia free liquid glass cleaners
 - Non-acidic, non-abrasive gentle liquid or fully dissolved powder cleansers mixed according to manufacturers directions.
 - Non-abrasive liquid polishes
 - Once clean, rinse faucet again with clear water to thoroughly remove cleaner or polish and blot dry with a soft cotton cloth.

Failure to follow these care instructions may damage the Faucet's finish.

Sottini™

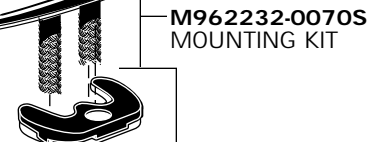
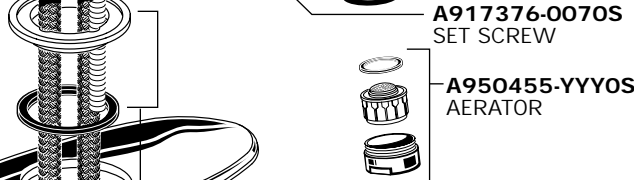
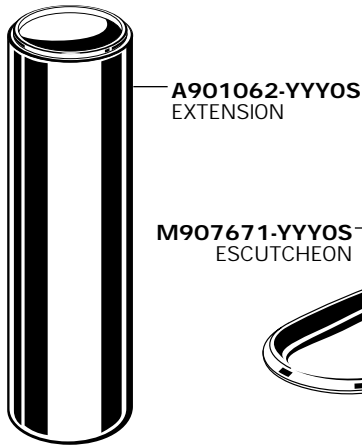
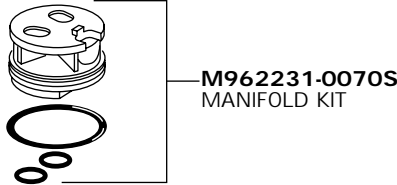
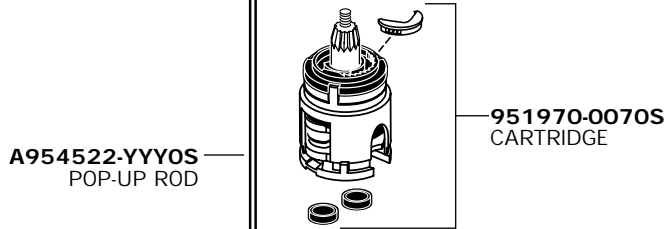
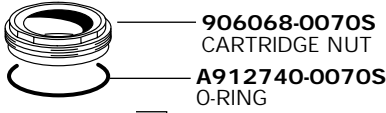
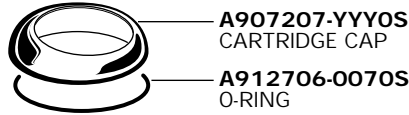
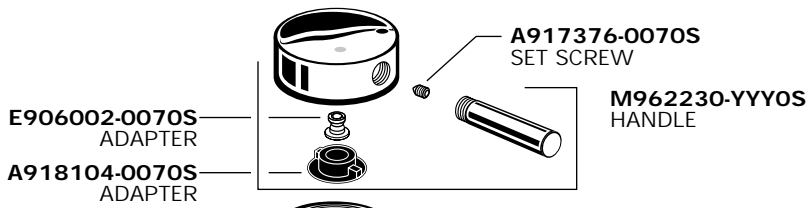
ALCHEMY™

MONOBLOCK
LAVATORY FAUCET
MODEL NUMBER

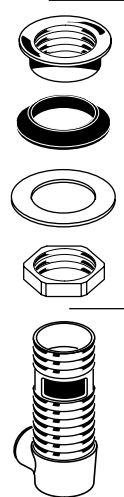
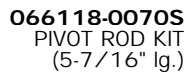
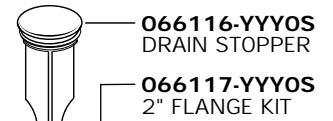
9052.100
9052.101
9052.500

Replace the "YYY" with
appropriate finish code

CHROME 002



M953450-YYYOS
COMPLETE
DRAIN ASSEMBLY



HOT LINE FOR HELP
In the US and CANADA
For toll-free information and answers to your questions, call:
1-877-866-8600
Weekdays 8:00 a.m. to 8:00 p.m. EST