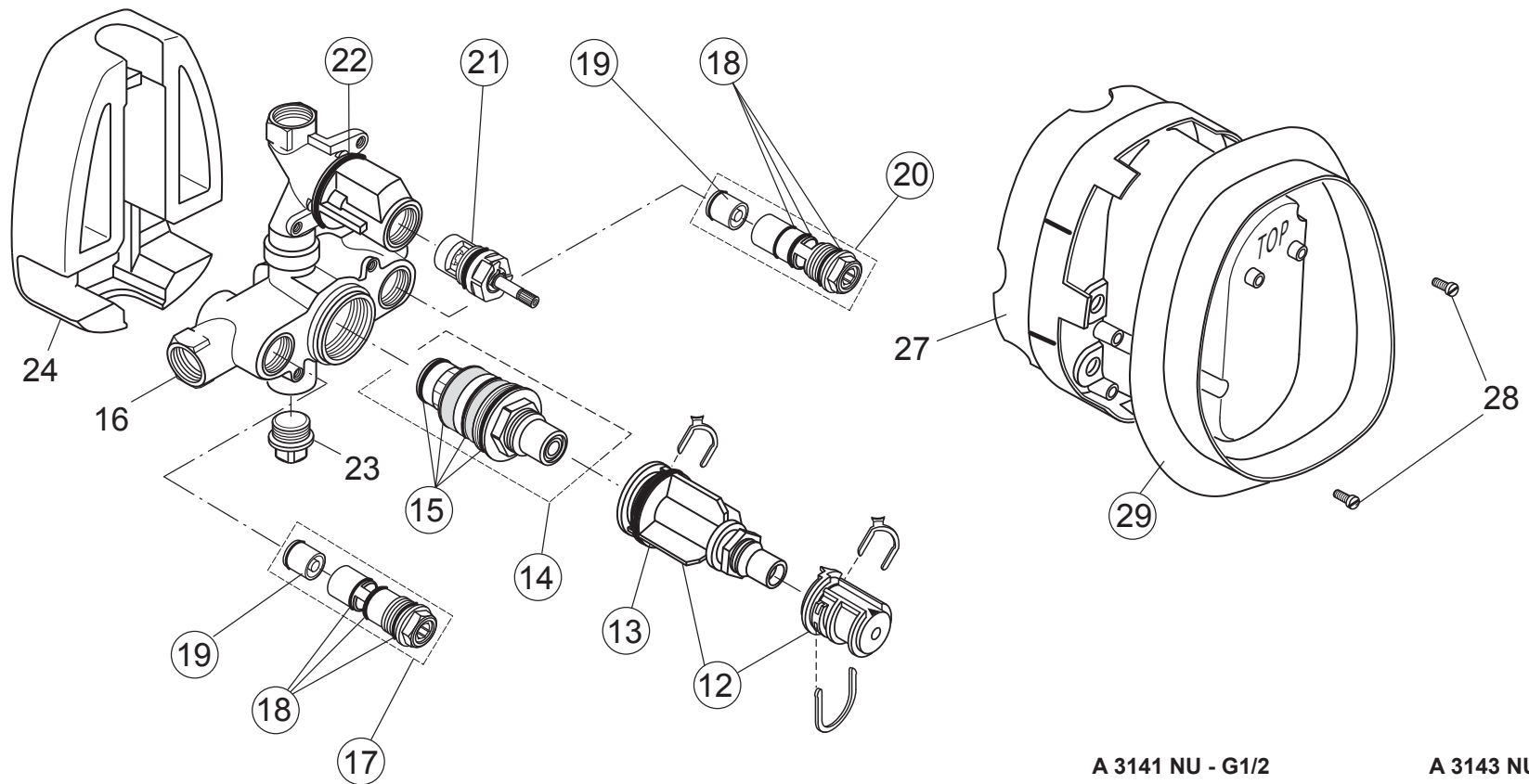




Spare Parts / Ersatzteile / Pièces de recharge / Pezzi di Ricambio / Piezas de requesto /
 Parte de reposição / Reserveonderdelen / Reservdelar / Reservedeler / Varaosat /
 Vraosat / Varahlutir / Ανταλλακτικά / Yedek Parçalar / Náhradní díly / Náhradné diely /
 Nadomestni deli / Резервни части / Запчасти / Części Zapasowe / Piese de schimb
 / Rendelhető alkatrészek / Запасні частини / Reservni delovi / Резервни делови /
 Резервни делови / Atsarginių dalių / Tellitavad varuosad / Rezervju daļi

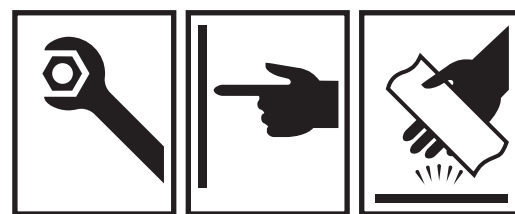


A 3141 NU - G1/2

Position
 12 = A 963 427 NU
 13 = A 962 574 NU
 14 = A 962 229 NU
 15 = A 962 230 NU
 17 = A 963 430 NU
 18 = A 963 431 NU
 19 = A 962 594 NU (2x)
 20 = A 963 433 NU
 21 = H 960 104 NU
 22 = A 962 574 NU

A 3143 NU - G3/4

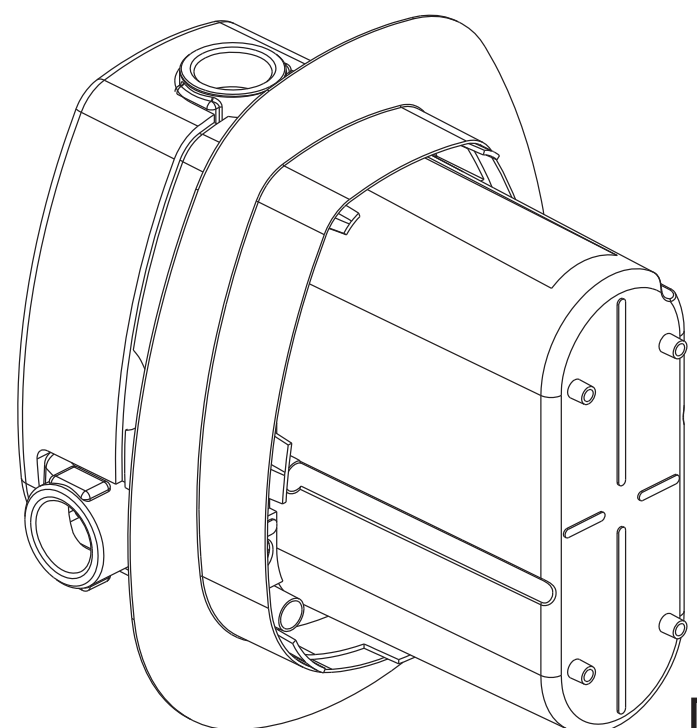
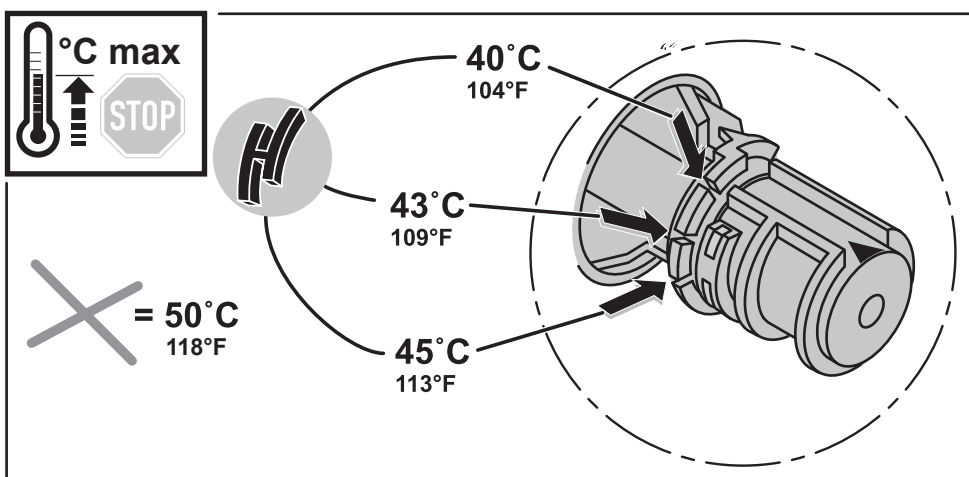
Position
 12 = A 963 427 NU
 13 = A 962 574 NU
 14 = A 963 564 NU
 15 = A 963 565 NU
 17 = A 963 562 NU
 18 = A 963 563 NU
 19 = A 963 566 NU (2x)
 20 = A 963 561 NU
 21 = A 961 772 NU
 22 = A 962 574 NU



JADO

A 3141 NU
A 3143 NU

0216 / A 965 860
 Made in Germany

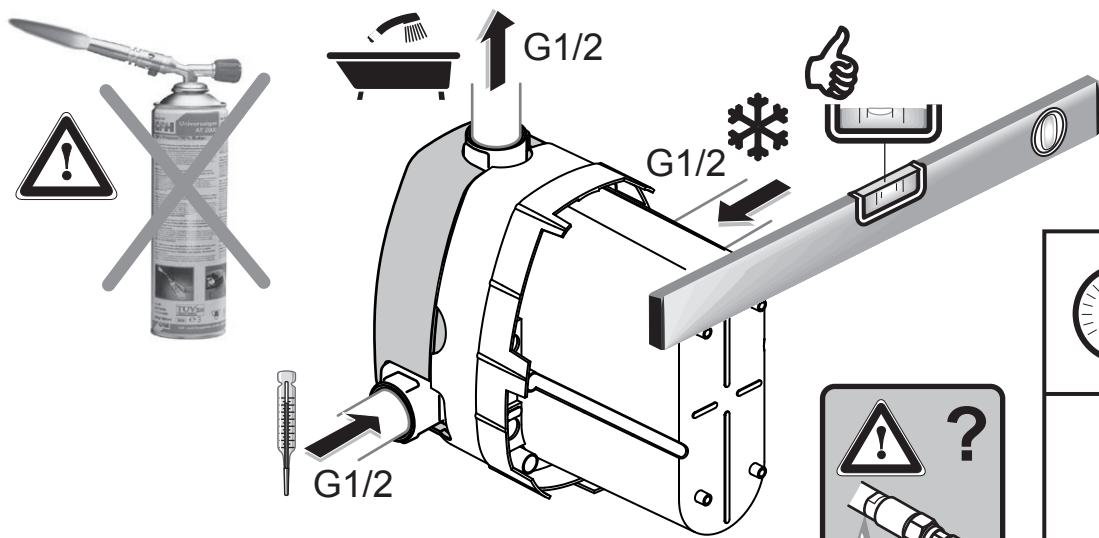
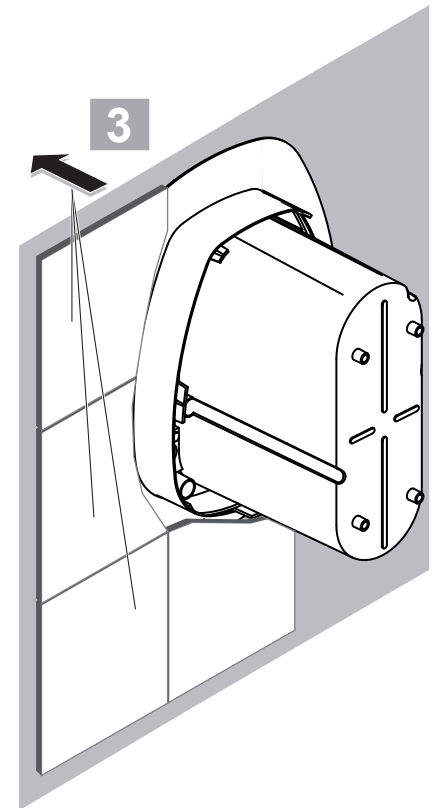
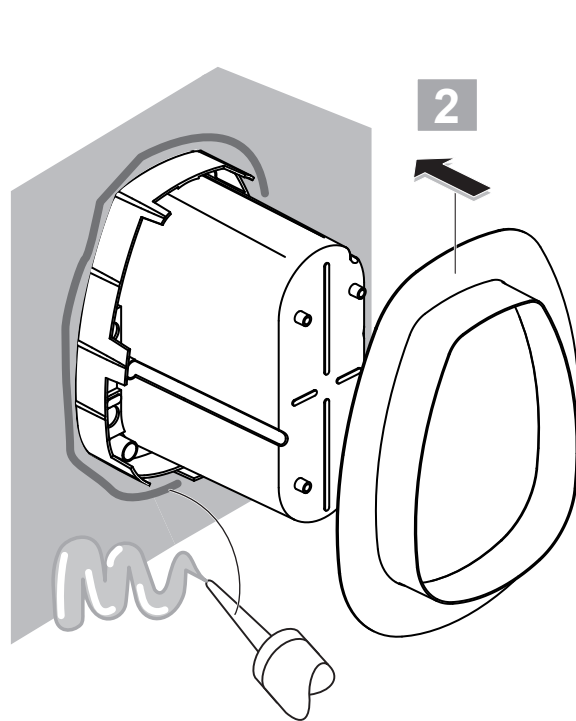
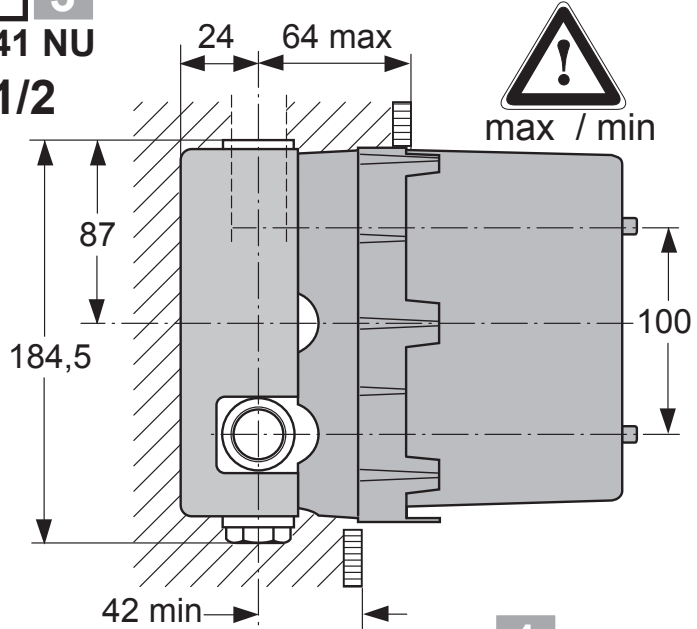






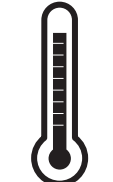

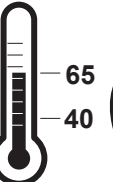


Ideal Standard International NV
 Corporate Village - Gent Building
 Da Vincilaan 2
 1935 Zaventem
 Belgium

www.idealstandardinternational.com

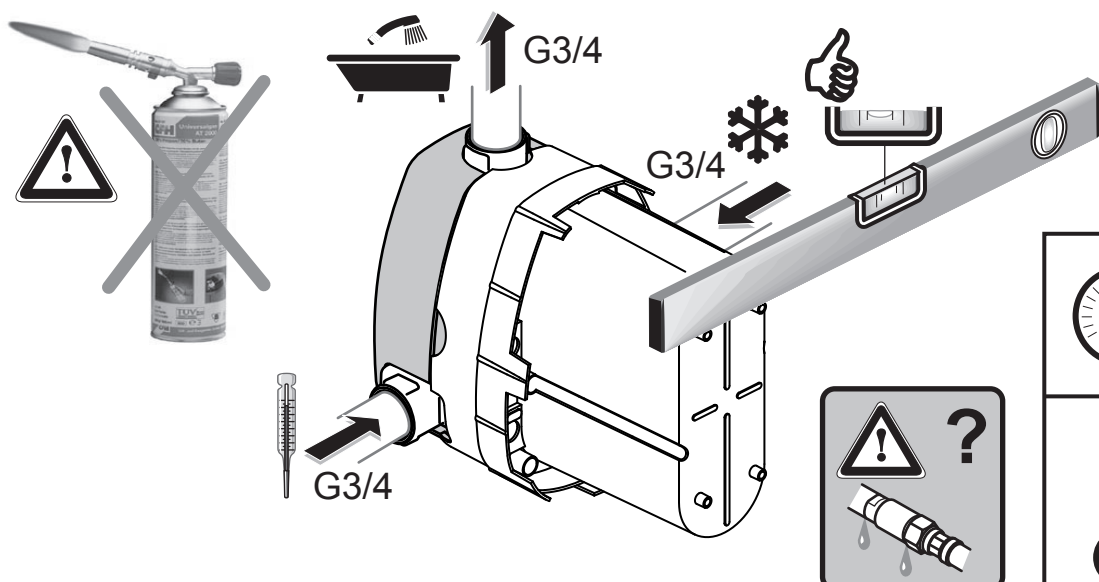
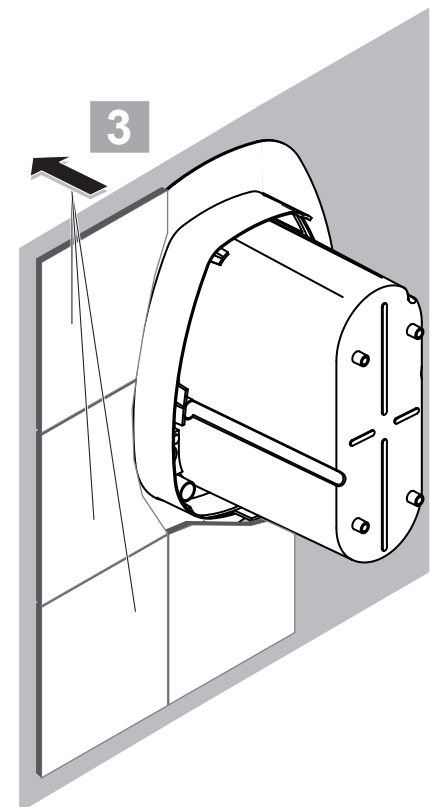
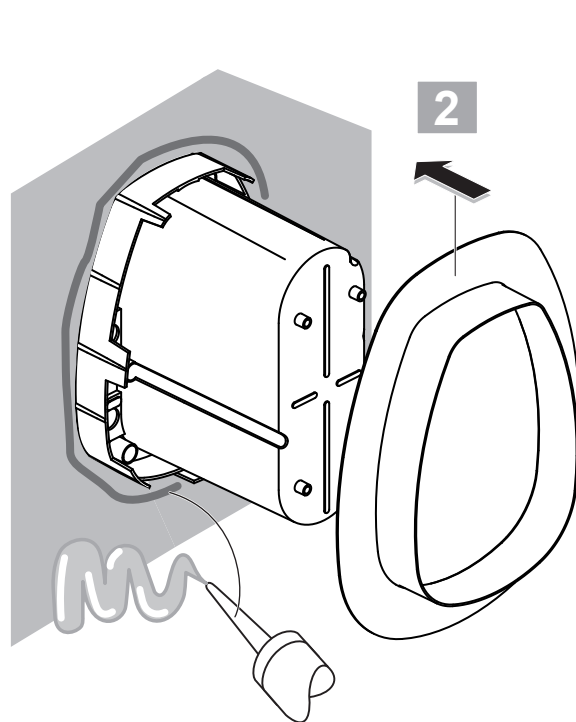
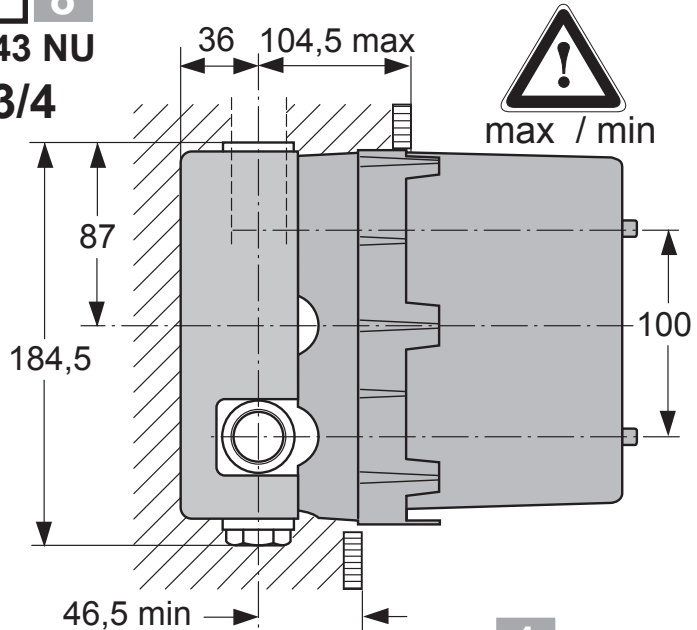






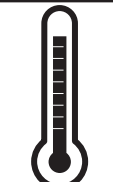
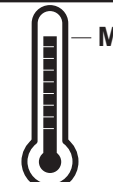
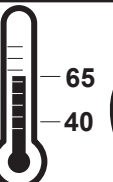


 1
3
A 3141 NU
G1/2



| | | | | | | |
|---|-----|---|---------|--|---|---------------------|
|  P | bar |  0,5 | MAX. 10 |  5 |  | Q (3 bar) |
|  T | °C |  MAX. 80 | |  65 |  | l/min |
| | | | |  40 | | 26 |

 1
8
A 3143 NU
G3/4



| | | | | | | |
|---|-----|---|---------|--|---|---------------------|
|  P | bar |  0,5 | MAX. 10 |  5 |  | Q (3 bar) |
|  T | °C |  MAX. 80 | |  65 |  | l/min |
| | | | |  40 | | 51 |