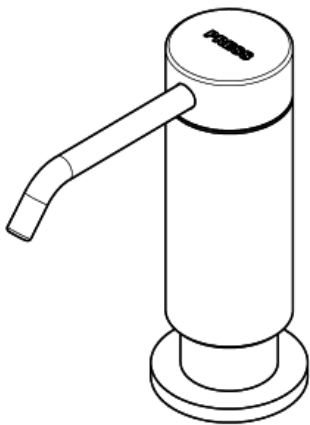


*Armitage  
Shanks*

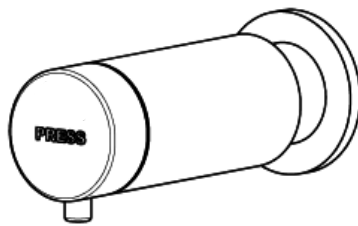
## Soap Dispensers

## INSTALLATION INSTRUCTIONS

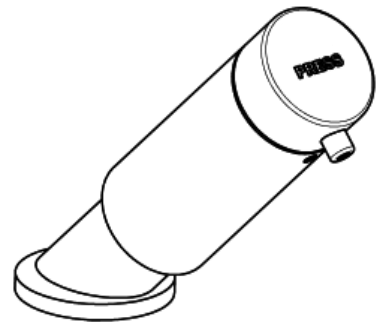
---



A9208AA  
Deck mounted



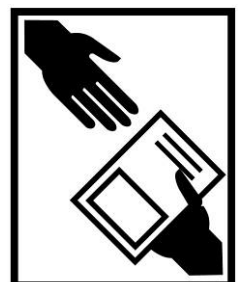
A9209AA  
Panel mounted



A9210AA  
Angled Deck mounted

---

**INSTALLER:** After installation please pass this instruction leaflet to user



# Contents

<b>Section</b>	<b>Page No.</b>
<b>1 Dimensions</b>	<b>3 - 4</b>
<b>2 Installation</b>	<b>5</b>
<b>3 Operation</b>	<b>5</b>
<b>4 Adjustment</b>	<b>6 - 8</b>
<b>5 Care and maintenance</b>	<b>9 - 10</b>
<b>6 Spare parts</b>	<b>11</b>
<b>7 Cleaning chrome surfaces</b>	<b>12</b>

# 1. Dimensions

## A9208AA – Deck mounted

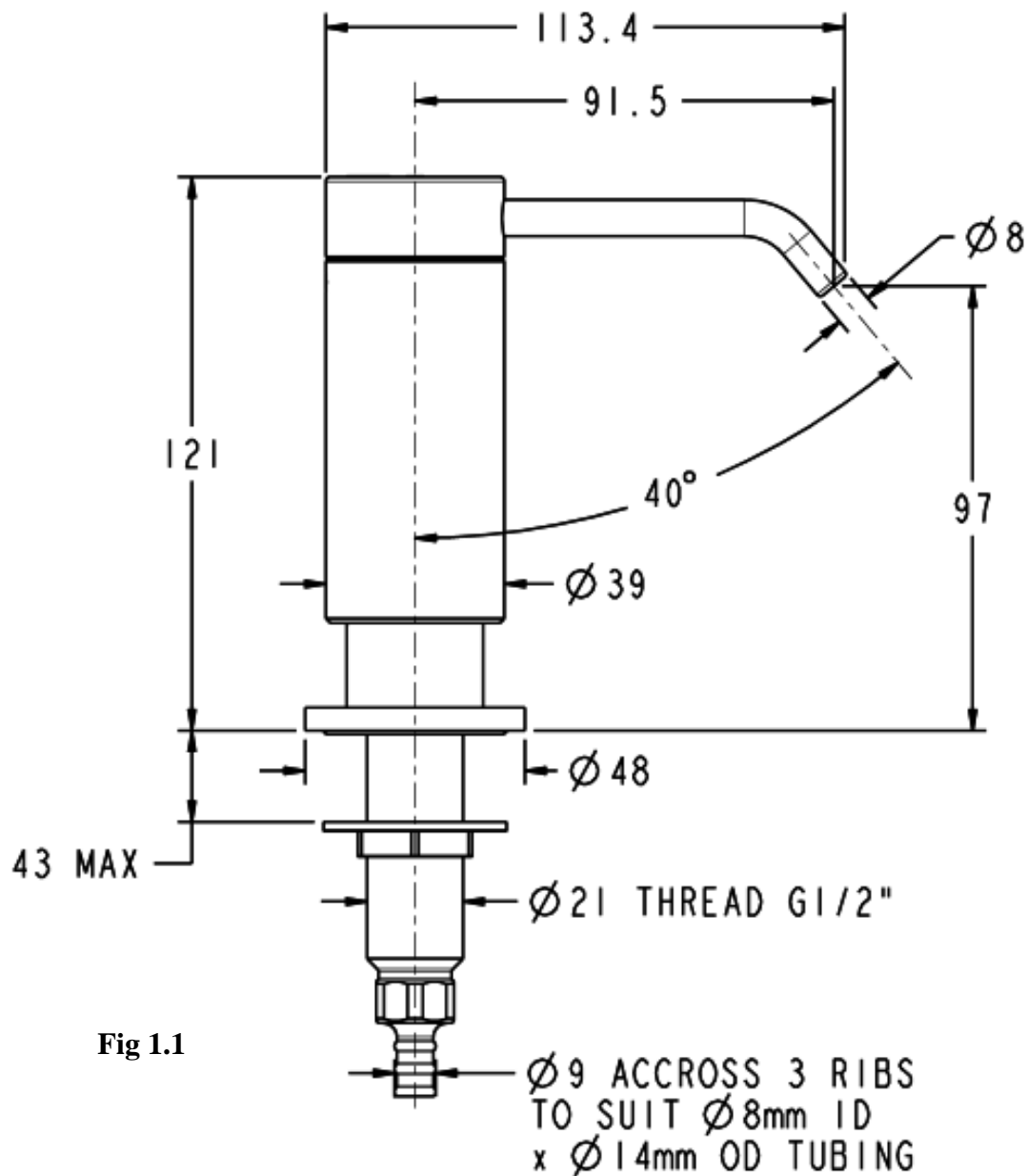
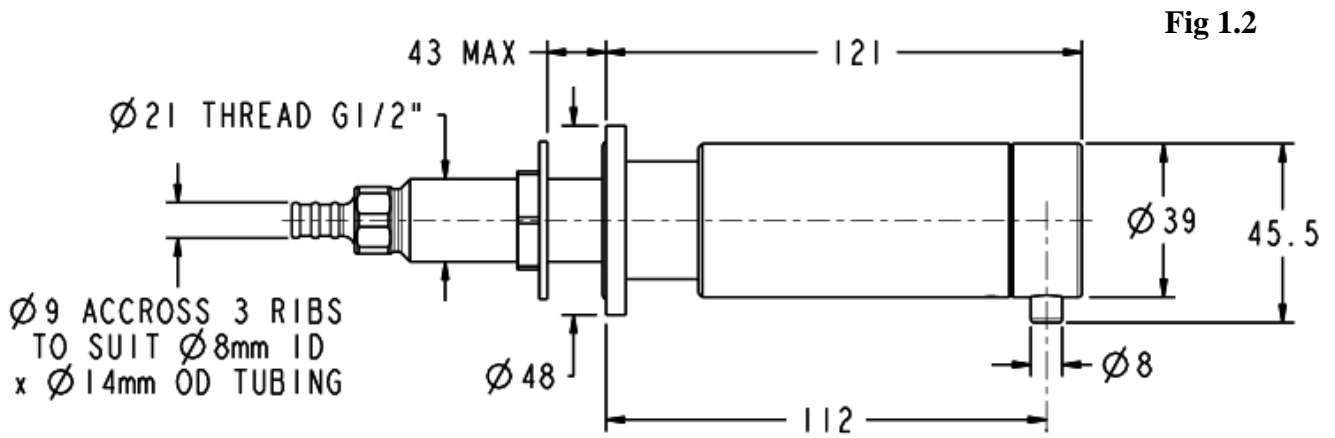


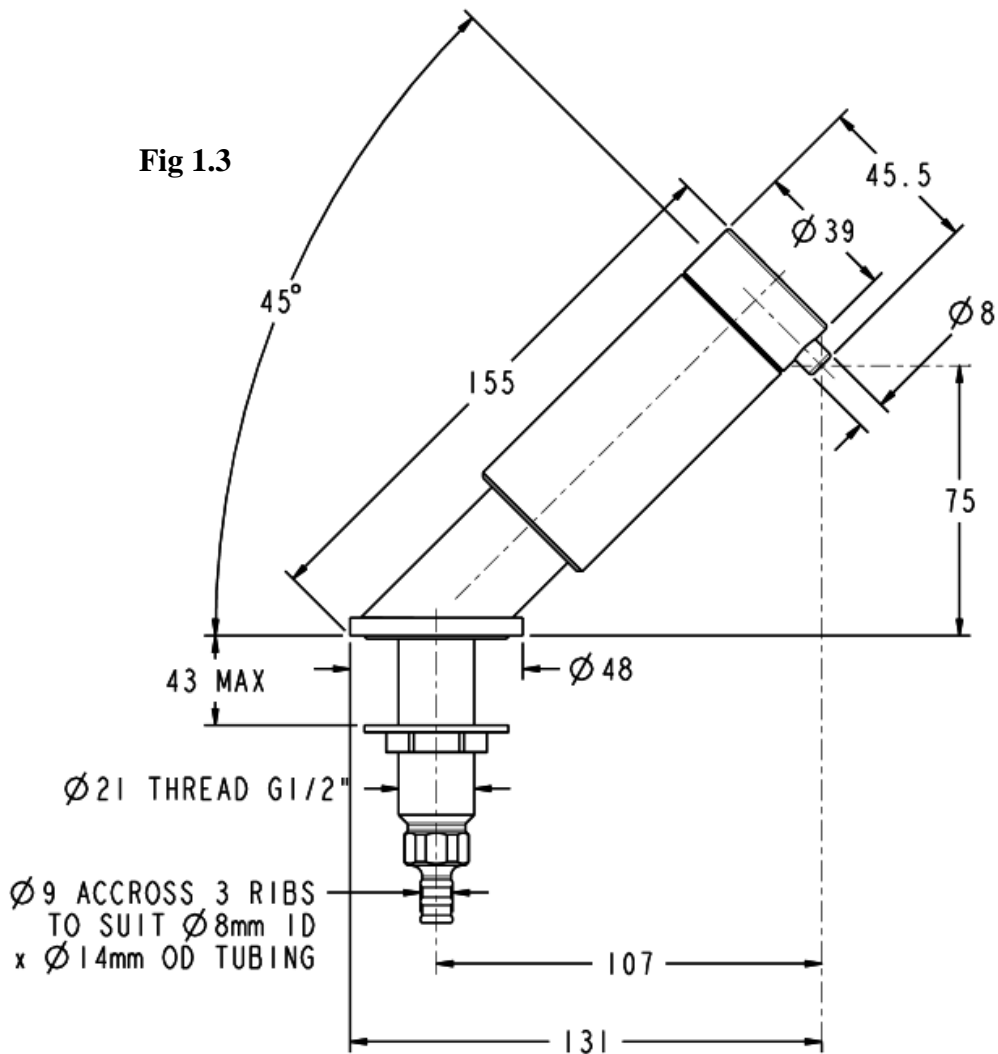
Fig 1.1

# 1. Dimensions

## A9209AA – Panel mounted



## A9210AA – Angled deck mounted



## 2. Installation

Mount dispenser into the basin hole or select position on the panel or worktop and prepare a Ø23mm mounting hole to receive the inlet tail.

The tail will accommodate a maximum of 43mm mounting thickness.

Ensure base 'O' Seal is above the dispenser platform and seated correctly before tightening the backnut.

Connect dispenser inlet to the liquid soap supply. We recommend a maximum viscosity of 40,000 centipoise (cP).

The flexible connection tube should have Ø8mm inside diameter, Ø14mm outside diameter and be no greater than 2 metres in length.

Operate the dispenser to prime liquid soap into the pump and verify operation. A catheter tip syringe can also be used to assist priming.

## 3. Operation

Press down the head to dispense soap into palm of hand.

Notes:-

Each full stroke is factory set to deliver the maximum 2.5ml of liquid soap; however this can be reduced down to 1ml from above the work surface by following the instructions in the Adjustment section 4.

Where soap container access is difficult, it's possible to re-fill the container from above the work surface, by removing the head and pump sub assembly and carefully filling through the top of the inlet tail inside the body. However, direct filling of the container is preferred.

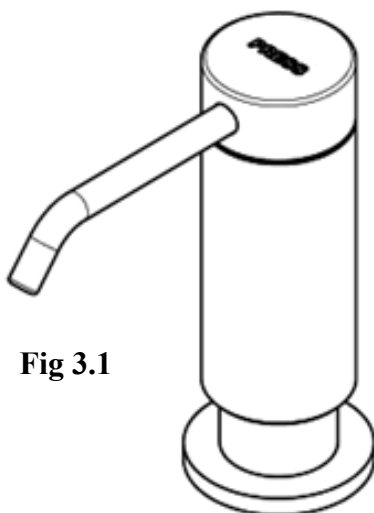
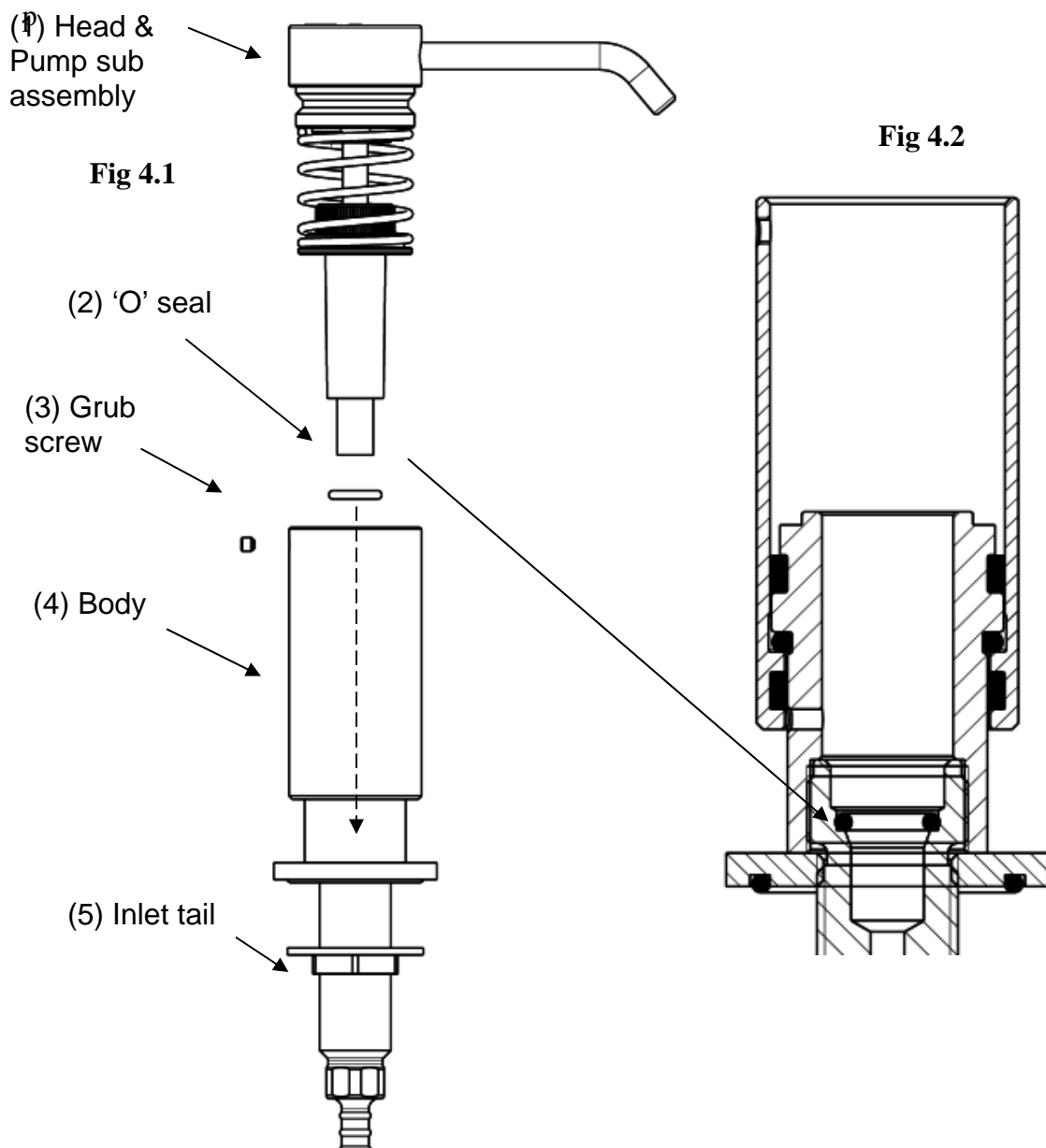


Fig 3.1

## 4. Adjustment

### 4.1 Removing the head and pump sub assembly

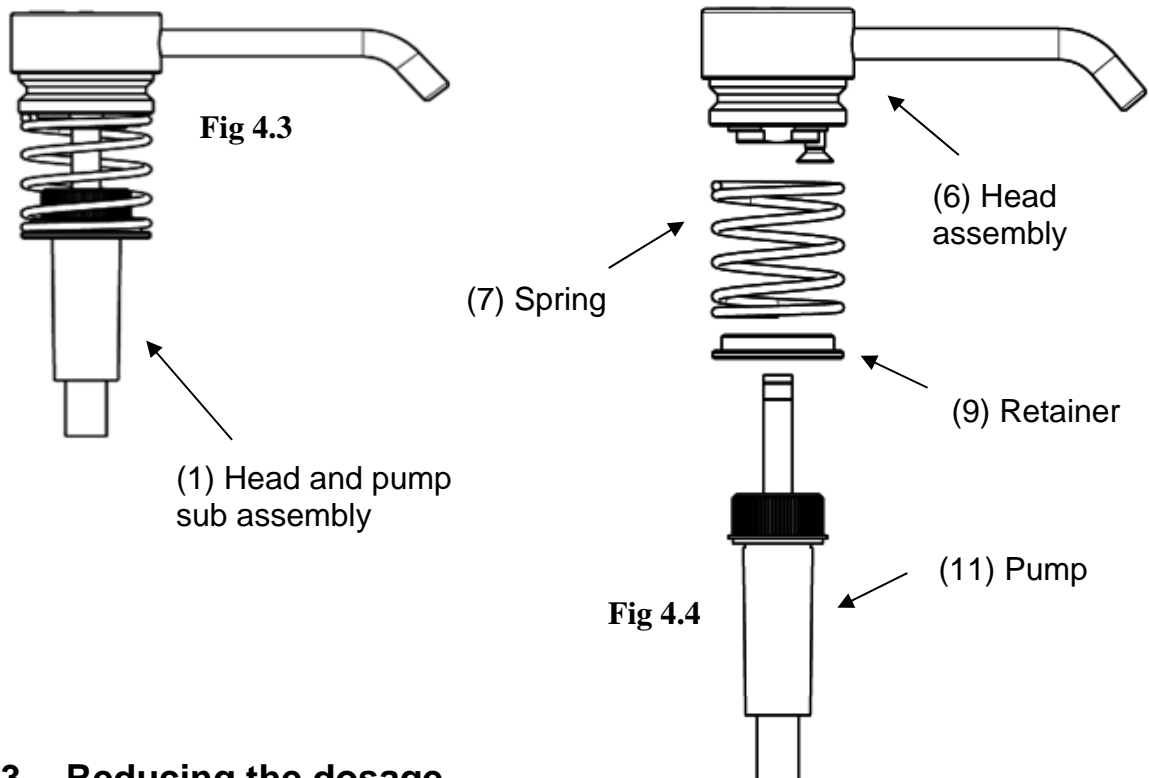
- Remove grub screw (3) from the top of the body (4) using a 2mm hexagonal key.
- Lift out the head and pump sub assembly (1) from the body (4).
- If the lower pump 'O' Seal (2) becomes displaced, re-seat it into the top of the inlet tail (5) inside the body (fig 4.2).



## 4. Adjustment continued...

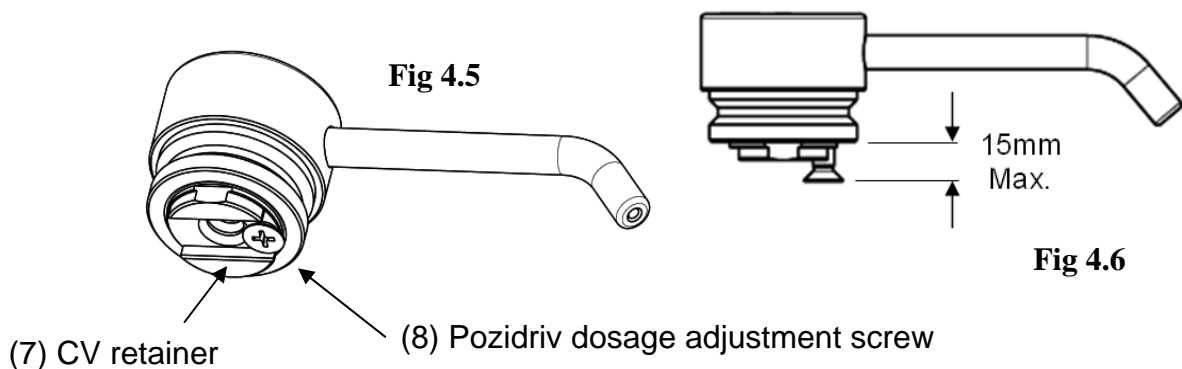
### 4.2 Separate the head assembly from the head and pump sub assembly

- To access the dosage adjustment screw (8). Carefully separate the head assembly (6) from the spring (7), retainer (9) & pump (11) (Fig 4.4).



### 4.3 Reducing the dosage

- The dosage can be reduced from 2.5ml down to 1ml by unscrewing the pozidriv dosage adjustment screw (8) out of its concealed position in the CV retainer (7) to a maximum of 15mm from the head underside.



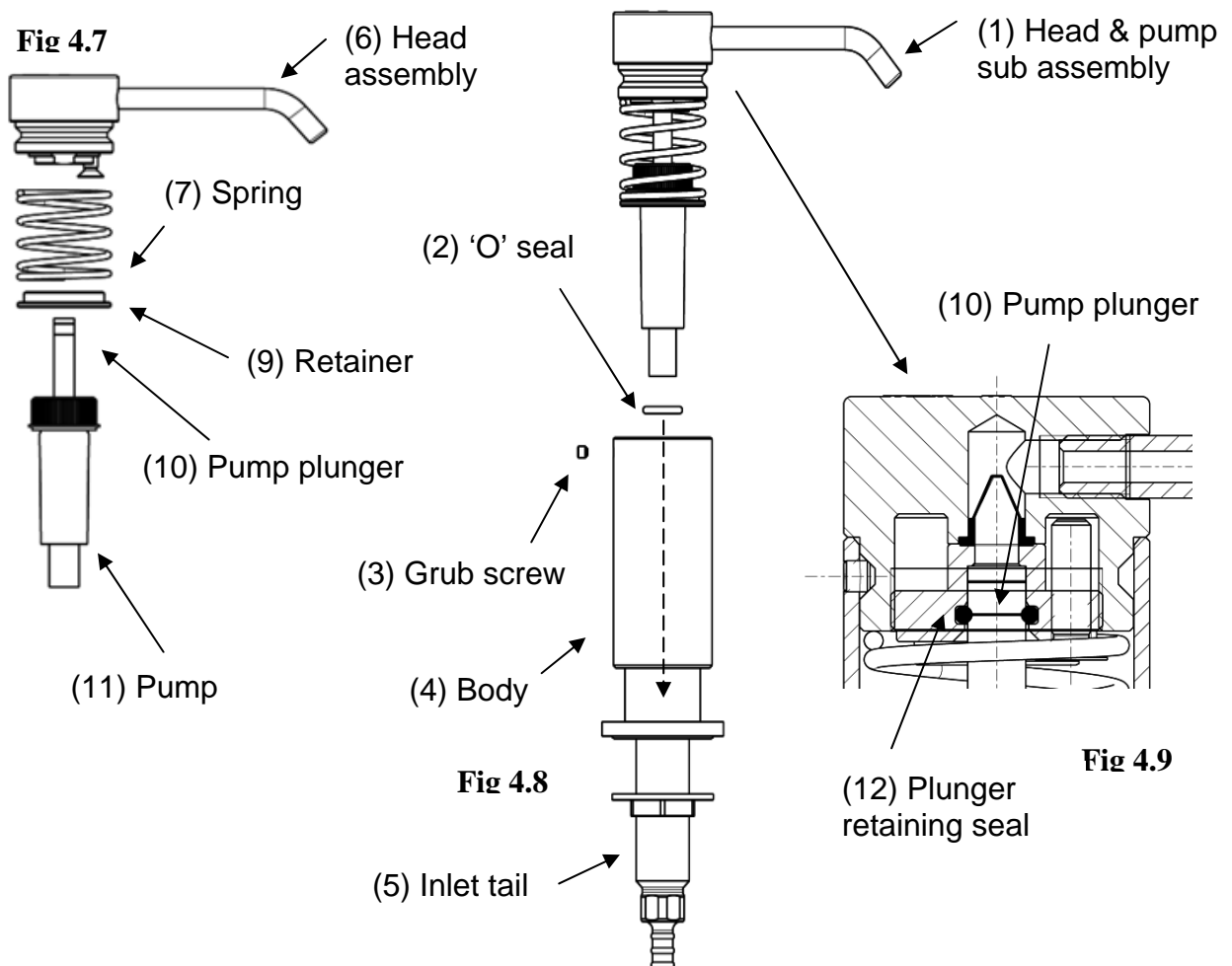
## 4. Adjustment continued...

### 4.4 Re-assembling the head and pump sub assembly

- Push the pump plunger (10) through the retainer (9) and spring (7) and assemble firmly back into the head assembly (6) until it fully bottoms out (Fig 4.9).

**IMPORTANT FOR CORRECT OPERATION!**

The Pump plunger must be fully inserted through the plunger retaining 'O' seal and back into the head assembly.



### 4.5 Fitting the head and pump sub assembly back into the dispenser

- Ensure the pump 'O' seal (2) is housed correctly inside the top of the inlet tail in the body (4) (Fig 4.2) before re-assembling and securing the head & pump sub assembly (1) with the grub screw (3).



## 5. Care and maintenance

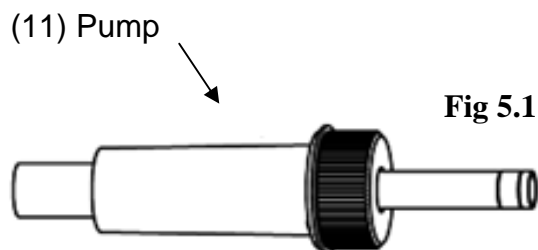
Our quality soap dispensers will provide dependable, consistent operation over the long term when liquid soap with reasonable viscosity (we recommend a maximum of 40,000 cP) is used and when a minimal amount of periodic maintenance / cleaning is performed.

Occasionally purge the dispenser by pumping through warm (hand hot) water to solve any coagulated soap solution. Ideally dispensers should be soaked occasionally for 30 minutes in hot water and pumped whilst soaking to clear any clogs.

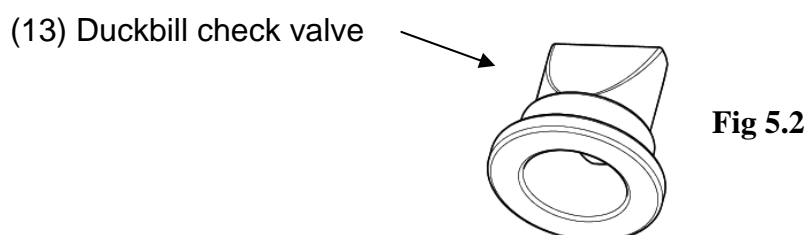
In cases of extreme clogging, the dispenser should be disassembled and the parts soaked in hot water to restore proper functioning.

If the dispenser fails to function correctly after cleaning, first check all connections are tight and free from air leaks before replacing either the pump or duckbill check valve. (See section 6. Spare parts)

To replace the pump, refer to Section 4. Adjustment for disassembly instructions



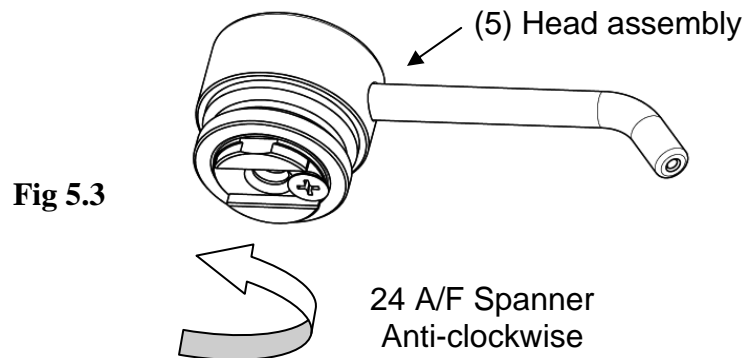
The head assembly contains a small precision molded elastomeric duckbill check valve that acts as a reliable backflow prevention device. It should operate correctly for the life of the soap dispenser, which has been tested in our dispensers to one million operations with no loss in performance. However if the check valve were damaged, it would result in a dosage reduction.



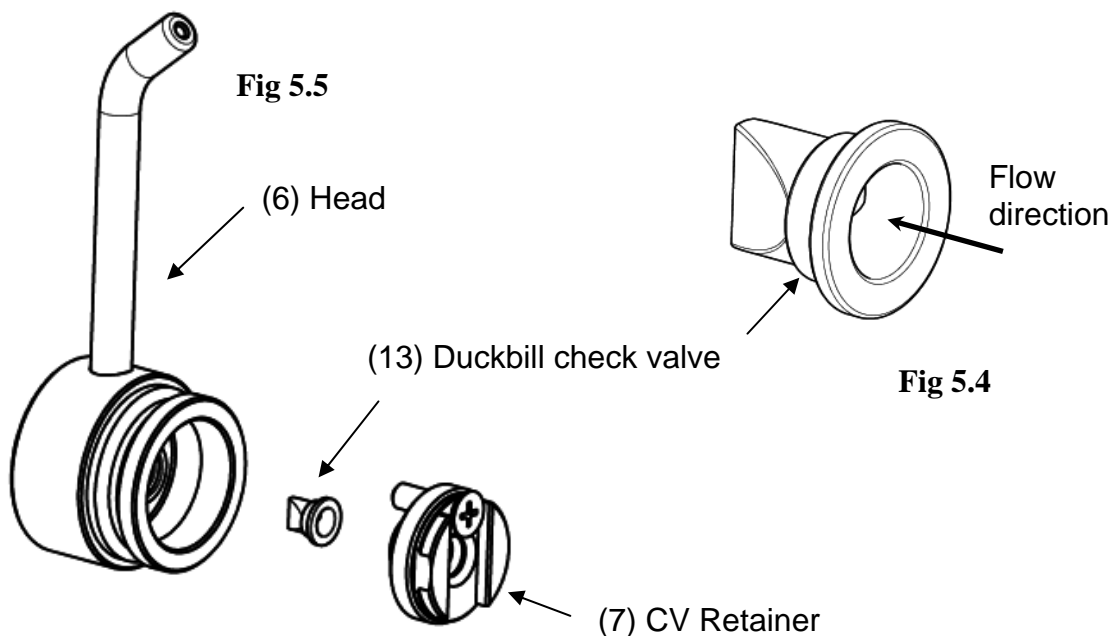
## 5. Care and maintenance continued...

### 5.1 Replacing the duckbill check valve

- Separate the head assembly by following the instructions in Section 4.2
- Unscrew the CV retainer (7) from the head (6) using a 24mm A/F spanner.



- Replace the duckbill check valve in the head assembly, taking care to ensure the correct orientation (Fig 5.4).
- Re-assemble the CV retainer (7) and fully tighten using a 24 A/F Spanner.
- Re assemble the head and pump sub assembly and fit back into the dispenser, following the instructions in section 4.4 & 4.5



# 6. Spare parts

A9209AA & A9210AA  
Panel & Angled Deck

A9208AA Deck

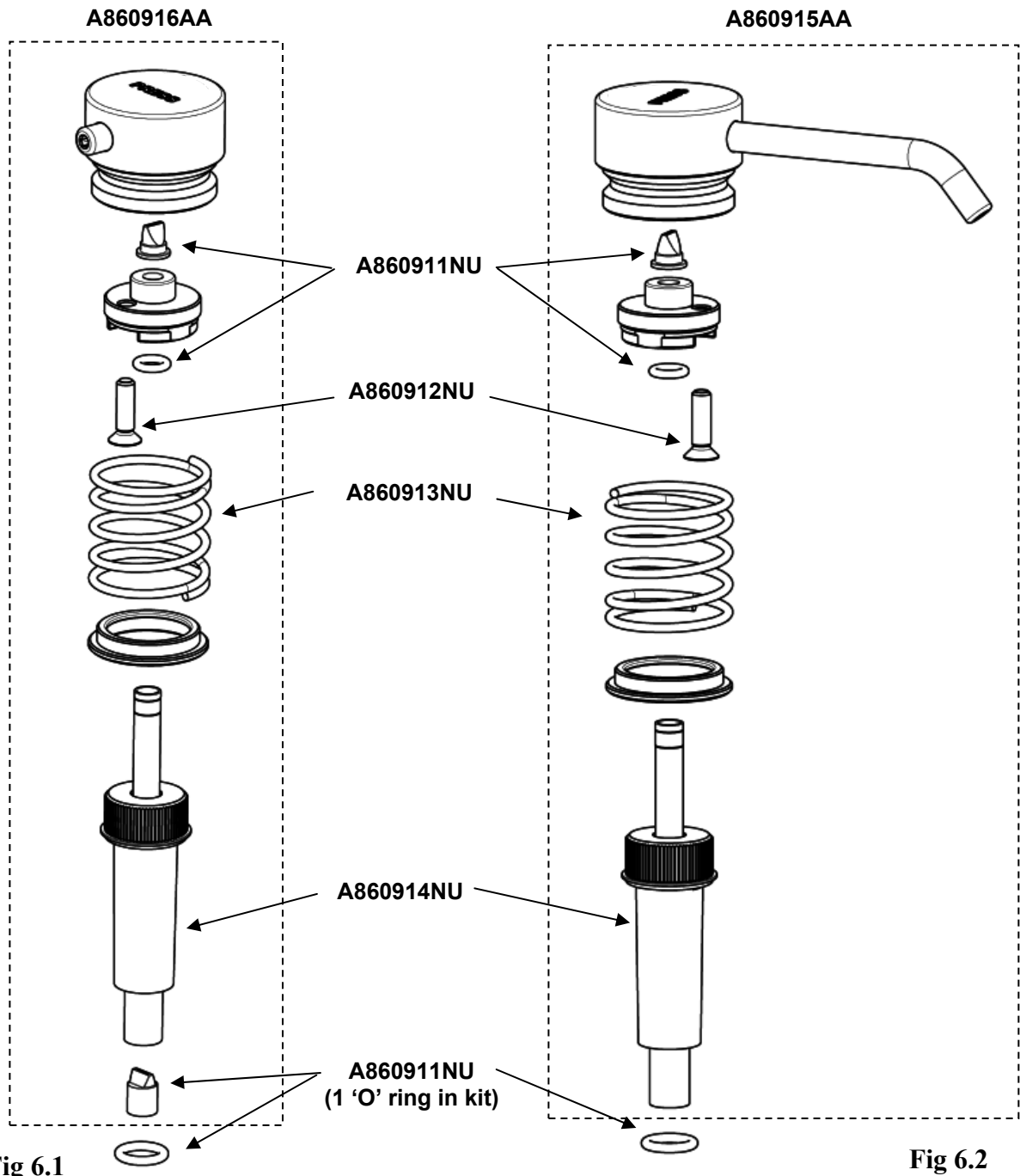


Fig 6.1

Fig 6.2

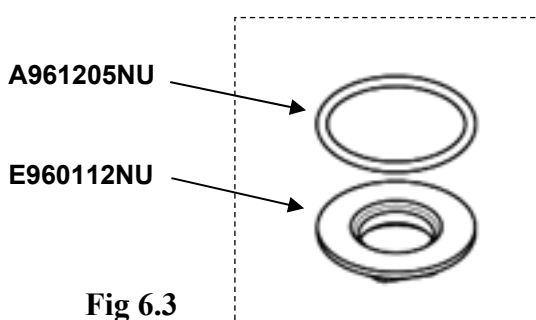


Fig 6.3

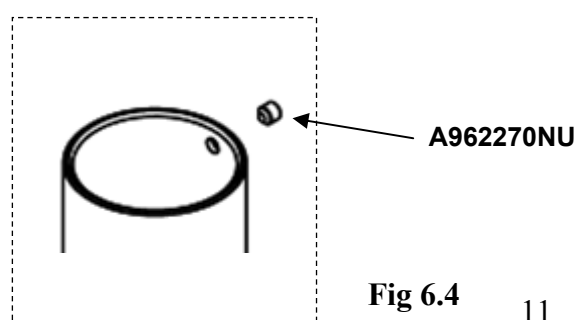


Fig 6.4

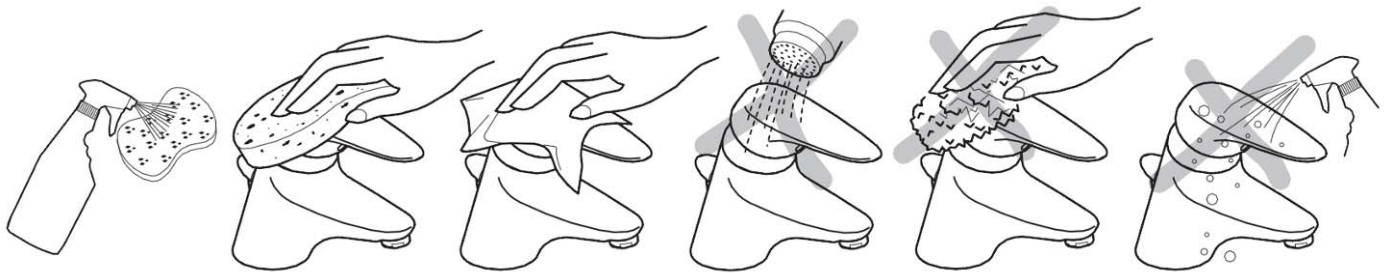


### Cleaning chrome surfaces

When cleaning chromed products use only a mild detergent, rinse wipe dry with a soft cloth. Ideally clean after each use to maintain appearance.

Never use abrasive, scouring powders or scrapers. Never use cleaning agents containing, ammonia, hydrochloric acid, sulphuric acid, nitric acid, phosphoric acid or organic solvents.

Use of incorrect cleaning products / methods may result in chrome damage which is not covered by the manufacturer's guarantee.



For more information about our products visit our websites:

[www.armitage-shanks.co.uk](http://www.armitage-shanks.co.uk)

[www.idealspec.co.uk](http://www.idealspec.co.uk)

[www.fastpart-spares.co.uk](http://www.fastpart-spares.co.uk)



AFTER SALES NON RESIDENTIAL HELPLINE

**0870 122 8822**

AFTER SALES NON RESIDENTIAL FAX

**0870 122 8282**

E-MAIL

[aftersalesnonresidential@idealstandard.com](mailto:aftersalesnonresidential@idealstandard.com)

Armitage Shanks pursues a policy of continuing improvement in design and performance of its products.

This right is therefore reserved to vary specification without notice.

Armitage Shanks is a division of Ideal Standard (UK) Ltd

*Armitage  
Shanks*

Ideal Standard International NV  
Corporate Village - Gent Building  
Da Vincilaan 2  
1935 Zaventem  
Belgium

A866931 06/19