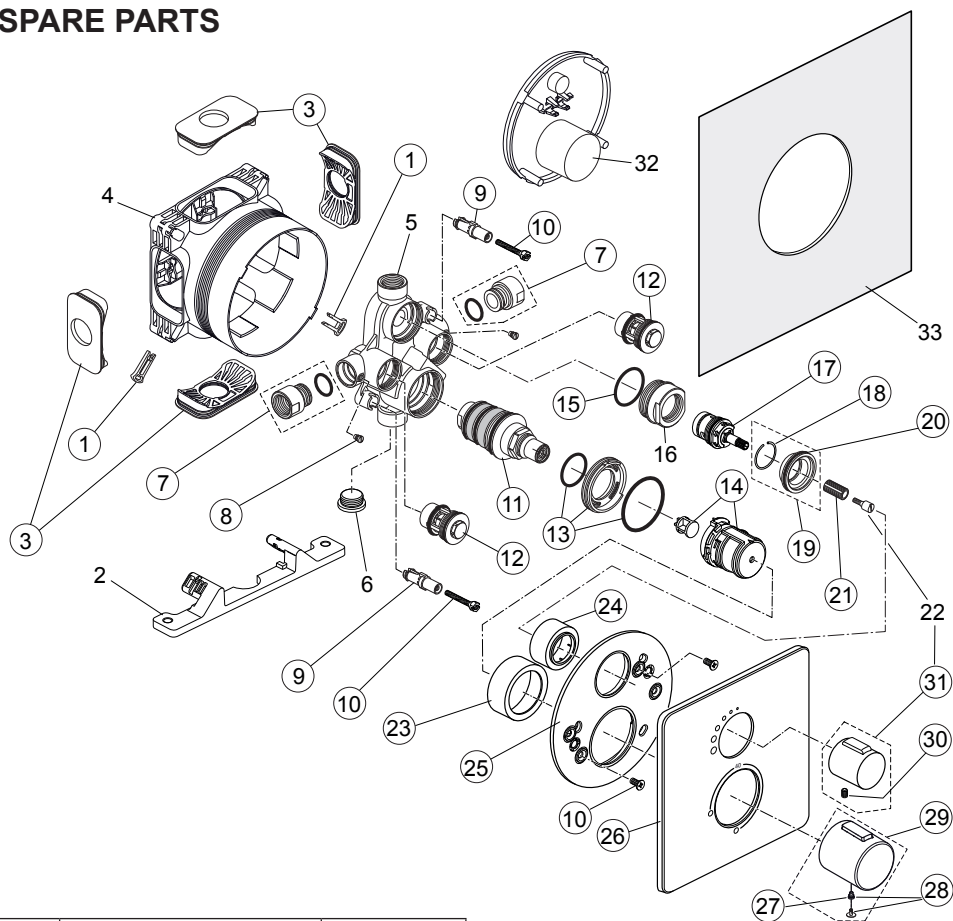


SPARE PARTS



Pos.	Description	Part No.
1	Adjustment lock	A 963 131 NU
2	Fixation Built-in Box	
3	Side sealing	A 963 132 NU
4	Built-in box	
5	Body Thermostat	
6	Plug G1/2	
7	Connection nipple cpl.	F 960 899 NU
8	Thread pin M5 x 5,5	A 961 183 NU
9	Adapter screw	F 960 903 NU
10	Screw set complete	F 960 904 NU
11	Thermostat cartridge	F 960 905 NU
12	None-return valve DN20	F 960 906 NU
13	Holder f. escutcheon	F 960 907 NU
14	Temp.-adjustment cpl.	F 960 908 NU
15	O - ring Ø 31,47 x 1,78	A 963 154 NU
16	Thread ring M36 x 1,5	
17	Headwork G3/4 - 90°	A 960 898 NU
18	Snap ring	A 962 368 NU
19	Holder f. escutcheon	F 960 909 NU

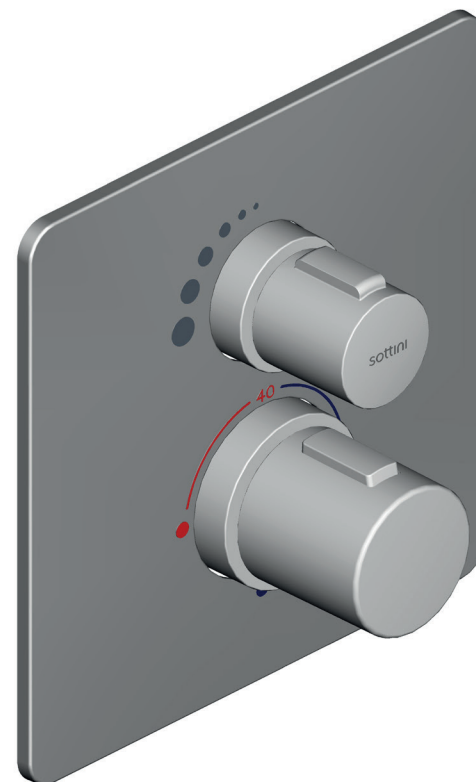
20	O - ring Ø 34 x 2	A 960 183 NU
21	Handle insert	A 963 196 NU
22	Fixation screw M4 / Ø8	
23	Cover / Cap Temperature	F 960 910 AA
24	Cover /Cap Volume Contr.	F 960 911 AA
25	Escutcheon holder cpl.	F 960 912 NU
26	Escutcheon Temp./Vol.	F 960 915 AA
27	Handle screw M5x5	A 961 095 NU
28	Cap with screw	A 962 149 AA
29	Handle Therm w/o print	F 960 952 AA
30	Thread pin M5 x 8 DIN913	A 960 229 NU
31	Volume handle + pos. 22	A 860 957 AA
32	Cover for built-in box	
33	Sealing fleece	
	Extension kit 22mm	A 6134 AA

sottini

TURANO

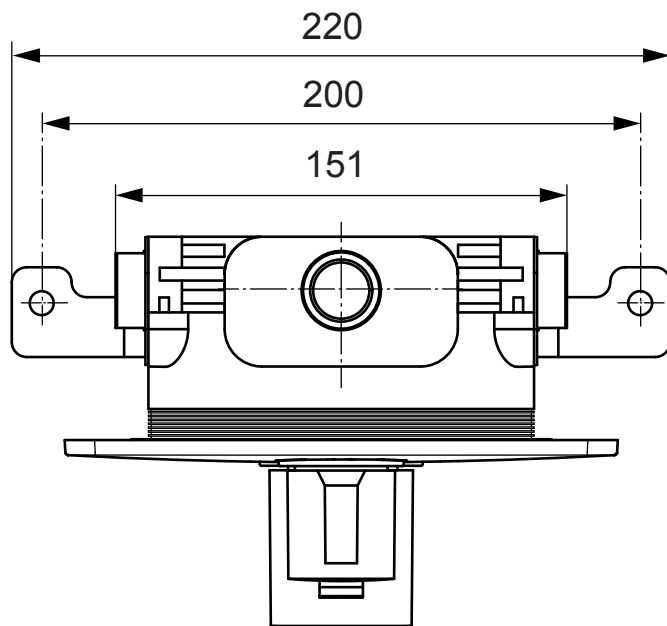
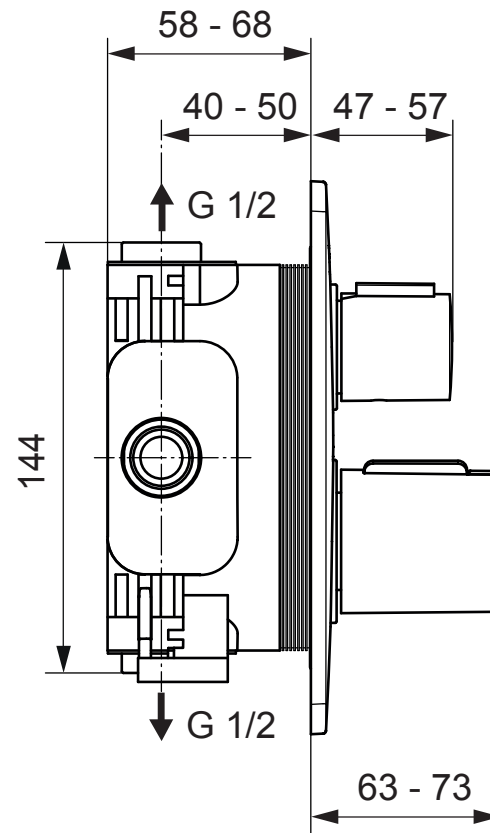
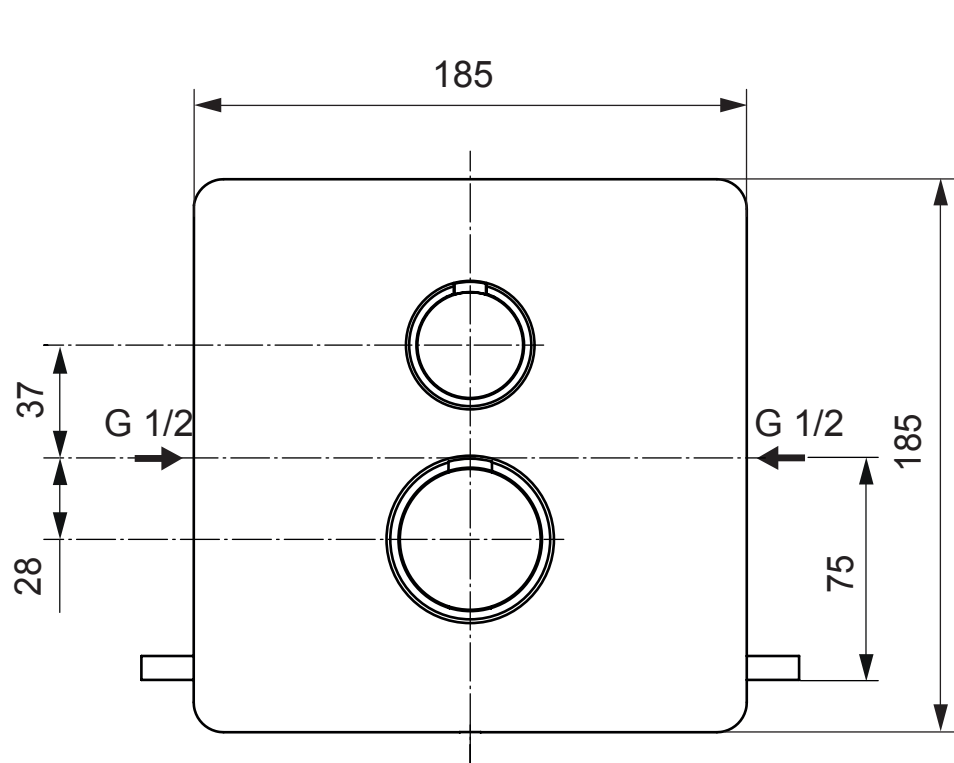
BATH/SHOWER BUILT-IN THERMOSTAT

A 6632 AA



For full details of installation & maintenance please refer to booklet No. A868000 (same as used for A6453AA range).

In accordance to BSEN1111 & BSEN1287, this shower valve A6632AA has approval for the following applications: High & Low Pressure HP-S & LP-SE.



DIMENSIONS