

2 INTRODUCTION

The fittings covered by this installation and maintenance instruction should be installed in accordance with the water regulations published in 1999*, therefore Armitage Shanks would strongly recommend that these fittings are installed by a professional installer

*A guide to the Water Supply (Water Fittings) Regulations 1999 and the Water Byelaws 2000, Scotland is published by WRAS (Water Regulations Advisory Scheme) Fern Close, Pen-y-Fan Industrial Estate, Oakdale, Newport, NP11 3EH. ISBN 0-9539708-0-9

DESCRIPTION

This manual covers the A4299AA Rosita thermostatically controlled, dual controlled 2-hole deck mounted bath/shower mixer. It is designed to provide water from ambient cold up to a safe maximum temperature for bath filling and showering.

This product is intended to be surface mounted on bath tubs or prepared plinths where the holes are at 180mm centres.

It comes complete with integral check valves.

INTRODUCTION

This thermostatic mixer valve is designed to be installed on normal UK low pressure storage tank fed systems, unvented high pressure systems, modulating instantaneous water heaters or modulating combination (combi) boilers. It is suitable for all pumped applications.

Hot and cold water supply pressures must be reasonably balanced and from a common source i.e. both from storage or both from a supply pipe. The mixer will function within specification on unequal pressures up to 5 : 1 but it is not recommended that cold be connected to the rising main and hot to the tank fed supply.

Avoid using heat for soldering near the mixer inlets to prevent damage to internal components.

3 SUPPLY CONDITIONS

Operating pressure range	High pressure	Low pressure
Maximum static pressure - Bar	10	10
Flow pressure hot and cold - Bar	0.5 to 5	0.2 to 1
Hot supply temperature °C	55 to 65	55 to 65
Cold supply temperature °C	>= 25	>= 25
Temperature differential characteristic (TDC) °C	10	10

Table 1 Supply conditions

4 INSTALLATION

On a regular basis the flow straightener nozzle and the shower spray head should be inspected and cleaned if necessary. In areas where lime scale build-up is prevalent this will have to be removed. An inhibited proprietary scale solvent can be used such a kettle descaling solvent but it is important to follow the manufacturer's guidelines. After descaling it is important to rinse the parts thoroughly in clean water. Clean carefully and do not use abrasive materials or scrapers.

5 MAINTENANCE

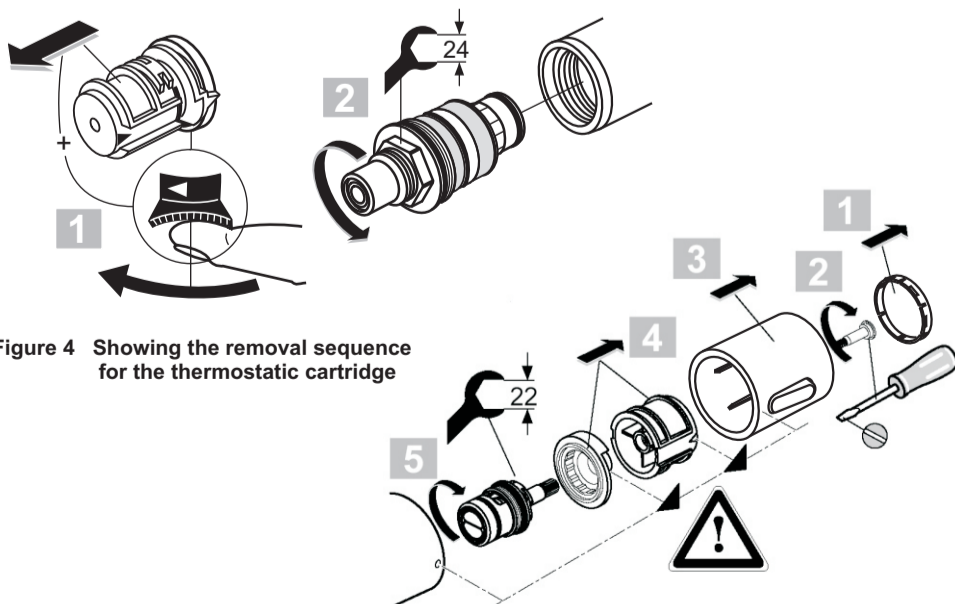


Figure 4 Showing the removal sequence for the thermostatic cartridge

Figure 6 showing the sequence for removing the flow cartridge

6 RE-CALIBRATION OF THE THERMOSTAT

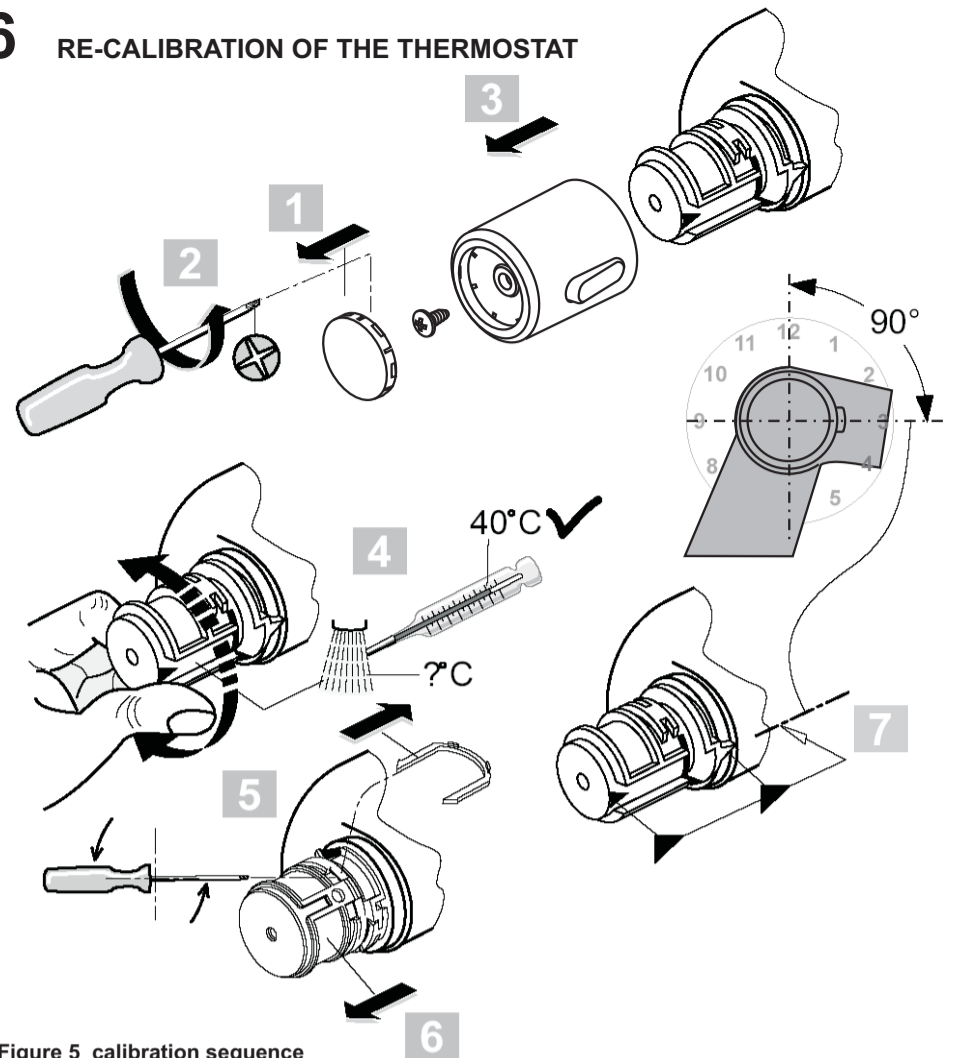


Figure 5 calibration sequence

It should not normally be necessary to perform this task as each fitting is accurately calibrated before leaving the factory. However, should the need for calibration arise an accurate thermometer will be required and the hot water supply should be operating at it's normal working temperature.

Remove the temperature handle [steps 1-3]. Adjust the temperature handle carrier until the measured temperature is the desired 40°C or 41°C [step 4].

Slide out the red "U" clip [step 5] and carefully slide off the handle carrier [step 6] without rotating it.

Replace the handle carrier aligned at 3 o'clock [step 7] and replace the red "U" clip. Check the temperature is still as desired. Repeat if necessary.

Replace the handle when satisfied.

7 OPERATING THE FITTING

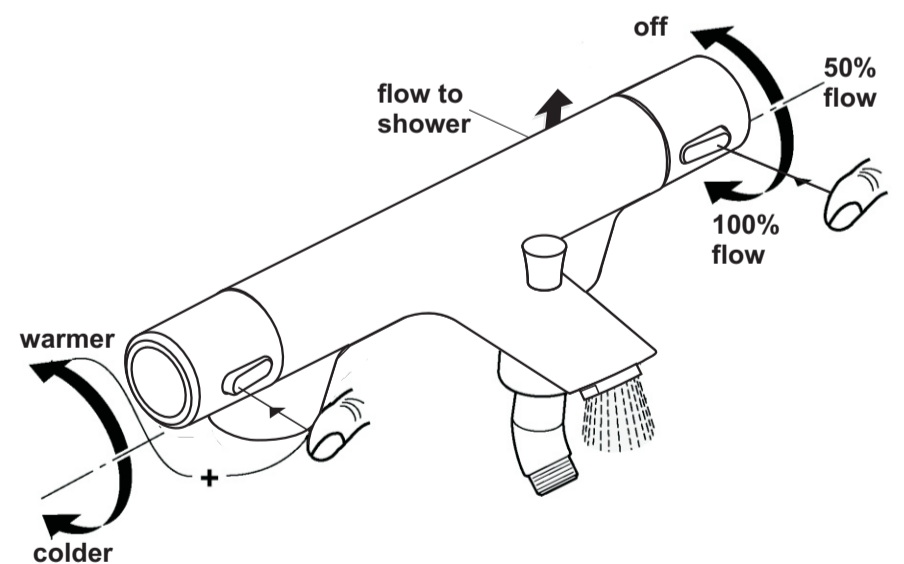
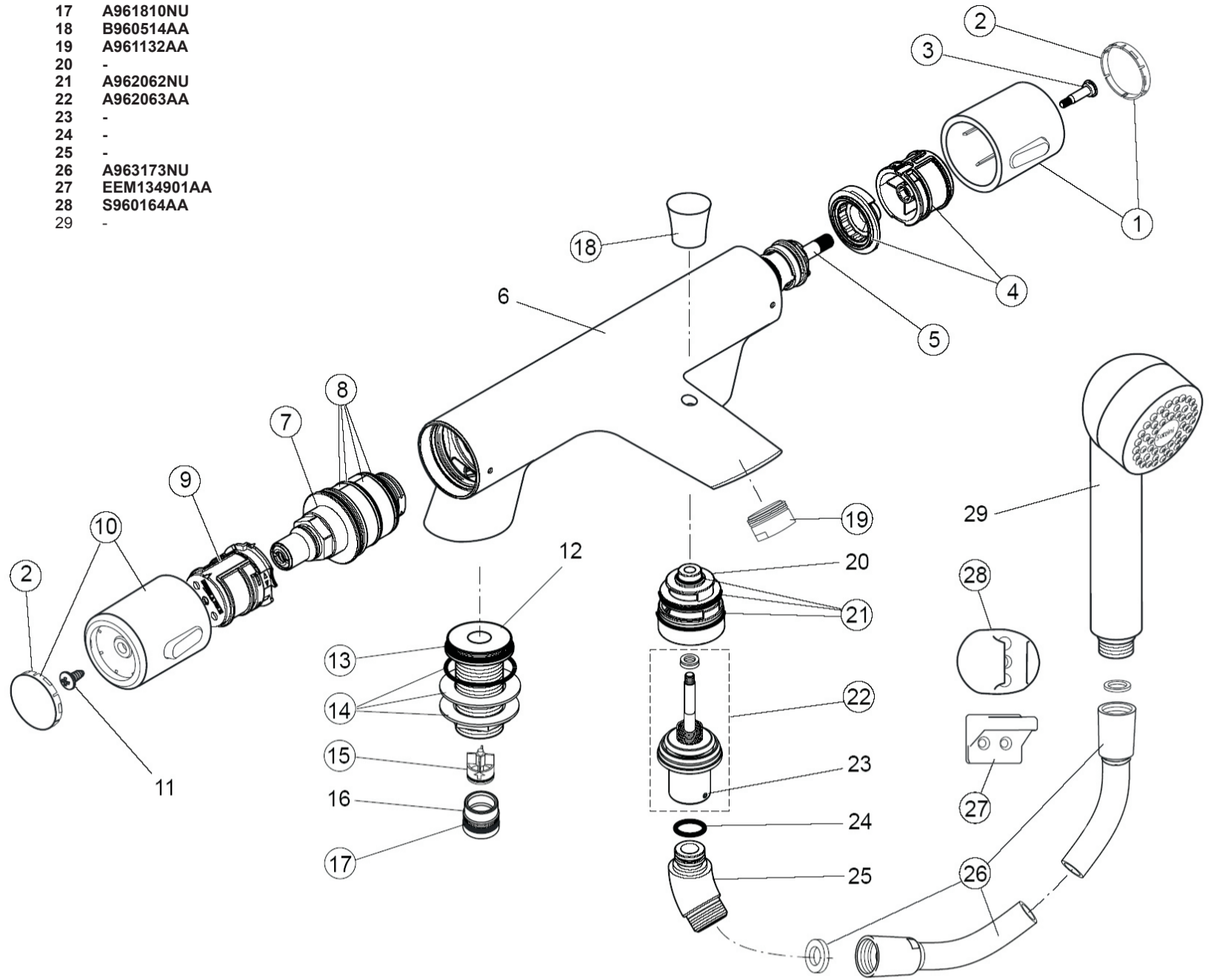


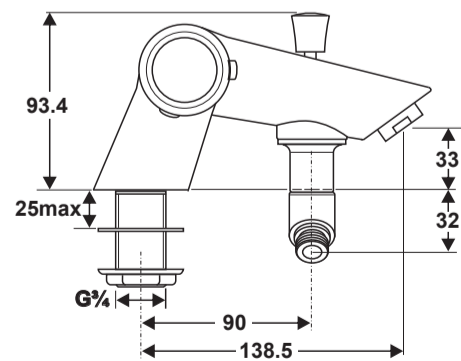
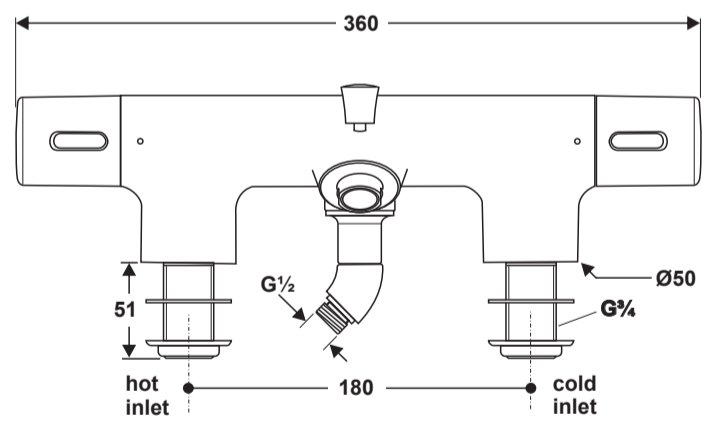
Figure 7 Showing the control positions for the handles.

1	A960624AA	17	A961810NU
2	A960625AA (with logo)	18	B960514AA
2	A960626AA (no logo)	19	A961132AA
3	A962998NU	20	-
4	A963432NU	21	A962062NU
5	A960462NU	22	A962063AA
6	-	23	-
7	A960587NU	24	-
8	A963587NU	25	-
9	A963427NU	26	A963173NU
10	A960627AA	27	EEM134901AA
11	-	28	S960164AA
12	-	29	-
13	A963154NU		
14	A860458NU		
15	A860415NU		
16	-		



Installation Instructions

ROSITA THERMOSTATIC DUAL CONTROL DECK MOUNTED BATH SHOWER MIXER



CUSTOMER CARE HELPLINE
0870 129 6085

CUSTOMER CARE FAX
01482 499611

E-MAIL
UKcustcare@IdealStandard.com

Sottini pursues a policy of continuing improvement in design and performance of its products. The right is therefore reserved to vary specification without notice. Sottini is a division of Ideal Standard (UK) Ltd

Sottini
The Bathroom Works, National Avenue
Kingston-upon-Hull, HU5 4HS England

4765 08/15

A866011

sottini

A4299AA

ROSITA DUAL CONTROL 2H DECK MOUNTED THERMOSTATIC BATH SHOWER MIXER

INSTALLER: After installation please pass this instruction booklet to user