

# CONCEALA 2 CISTERNS

## Installation Instruction

### CONTENTS

**SECTION 1** General

**SECTION 2** Tank Mounting

**SECTION 3** Flush Bends

**SECTION 4** Lever Operated (Single Flush)

**SECTION 5** Push Button Operated (Single Flush)

**SECTION 6** Flush Plate Operated (Dual Flush)

## SECTION 1

The Water Regulations have a requirement to fit a servicing valve adjacent to the cistern.

Access panel to the cistern should be provided for maintenance purposes.

It is the installer/specifiers responsibility to ensure compatibility with other manufacturers WC pans.

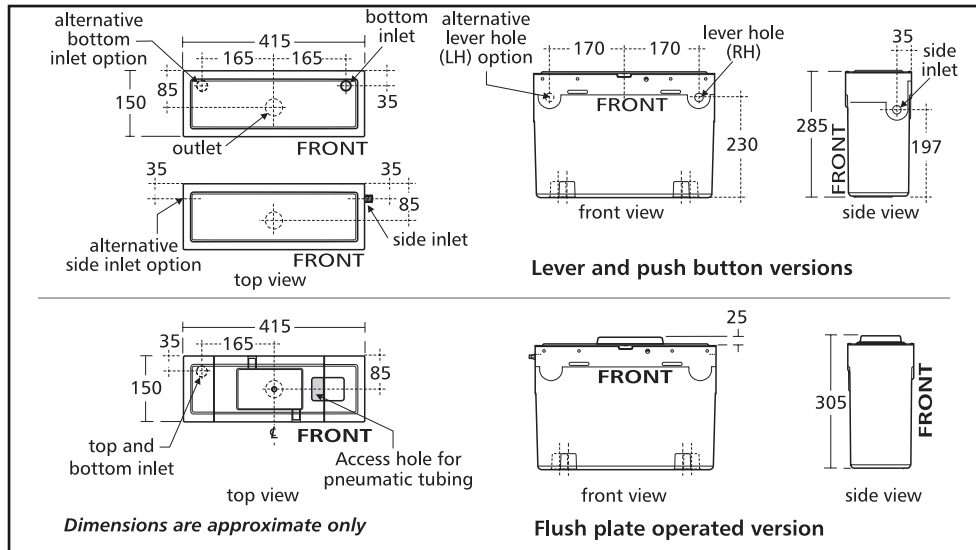
The tank contents are pre-fitted at works, however it is recommended that the inlet and outlet valve seals are checked for water tightness before installing the tank.

When connecting float operated fill valve to water supply pipework, adjust the float to give shut off at the water level as marked on cistern.

### Chemicals & paints

Do not allow the Univalve to come into contact with jointing compounds, cellulose based paints, paint thinners or strippers, solder flux, acid based descalents or aggressive cleaning products including those below pH4, high in hypochlorite (e.g. bleach) or containing hydrogen peroxide.

General



## SECTION 2

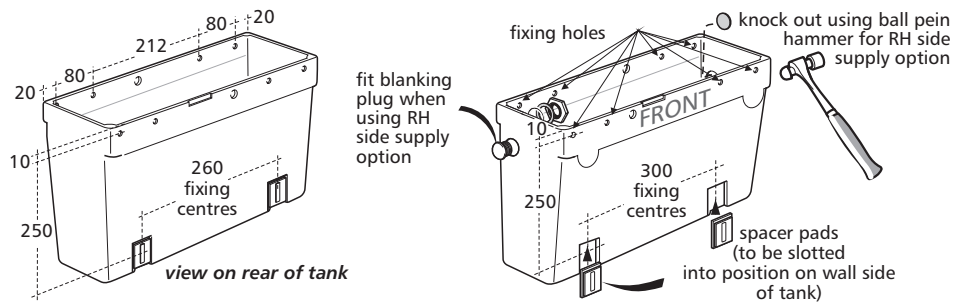
### TANK MOUNTING

Four fixing holes are supplied in back and front faces of tank for front or rear wall mounting.

Note:- Tanks are not reversible.

Components must be repositioned when alternative lever/inlet position is selected.

For extra support, the spacer pads can be screwed to the wall.

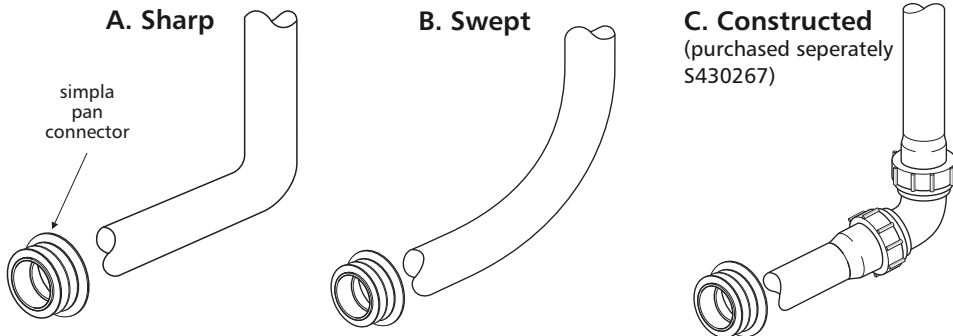


**Note: Secure to wall using fastenings suitable to wall construction (not supplied)**

Tank Mounting

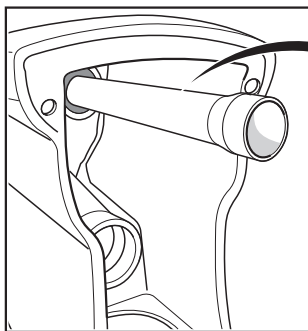
**SECTION 3**

*Flush bend(s) supplied vary between Conceala Packs*



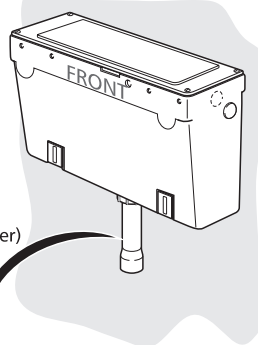
**Assembly of Constructed Bend**

Flush Bends



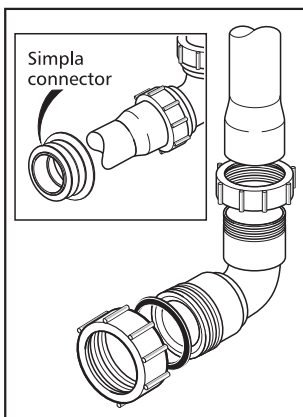
Cut horizontal length to suit  
 (cut end with smaller diameter)  
 Allow extra length for elbow  
 and inlet connector (Simpla)

Cut vertical length to suit  
 (cut end with smaller diameter)  
 Allow extra length for elbow  
 and cistern connection



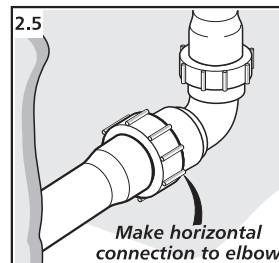
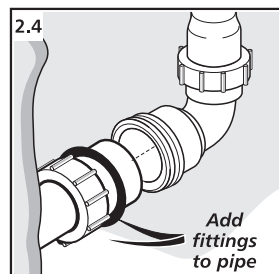
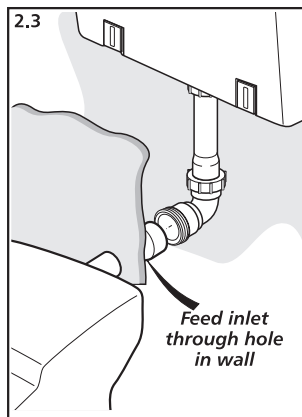
**METHOD 1**

- 1.1 assemble both pipes with elbow
- 1.2 fit to cistern
- 1.3 fit inlet connector (Simpla)



**METHOD 2**

- For closets with recessed inlet boss*
- 2.1 fit elbow to vertical pipe
  - 2.2 fit vertical pipe to cistern

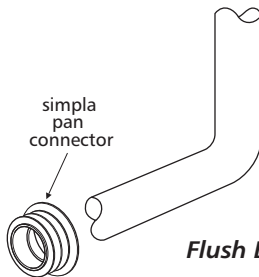
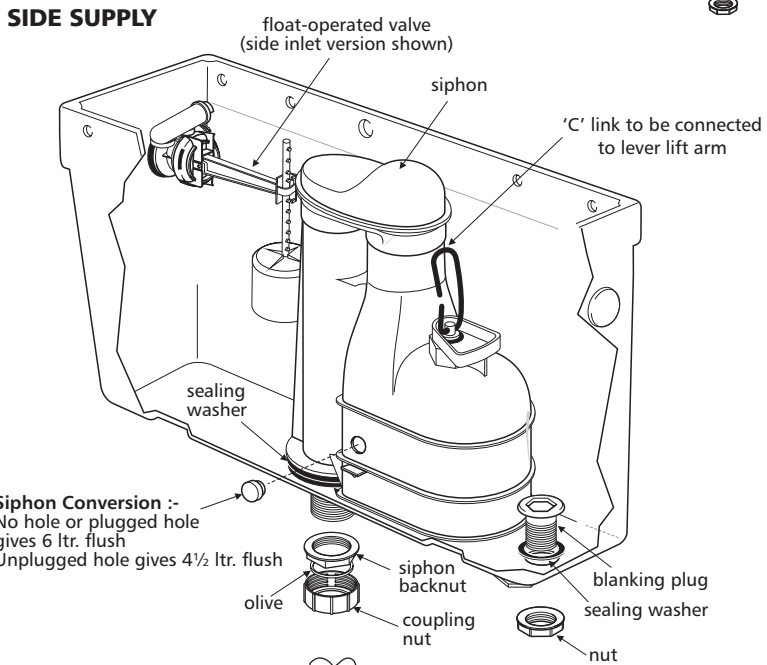
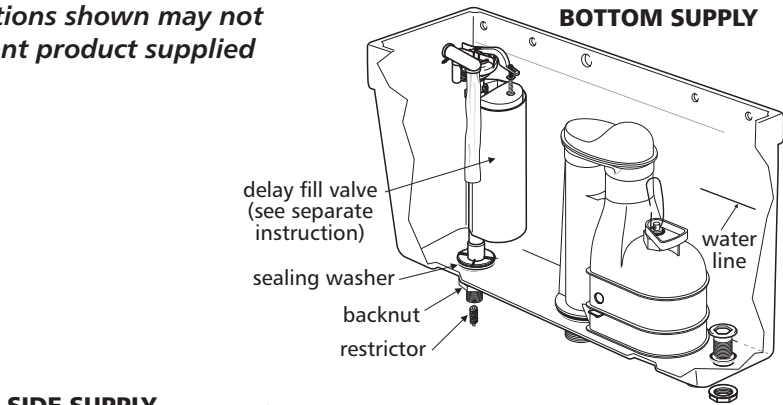


For **Method 2** access is needed behind the wall to complete the assembly

**SECTION 4**

**Lever Operated  
(Single flush)**

*Illustrations shown may not represent product supplied*

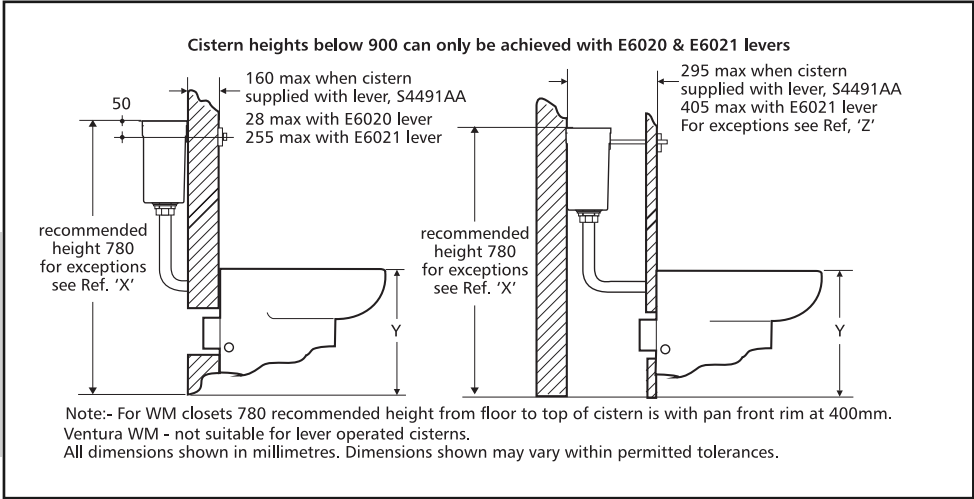
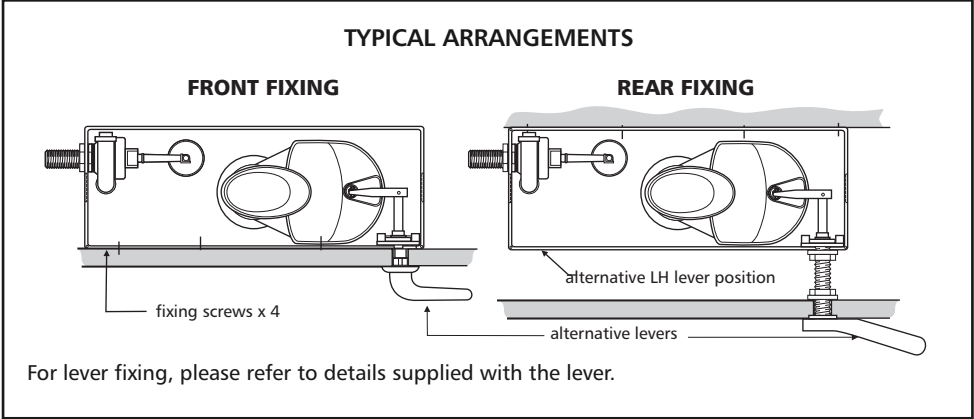


**Flush Bends - refer to Section 3**

Lever Operated

# Lever Operated (Single flush)

## SECTION 4



Lever Operated

Sharp flush bend to be used with cisterns height 'X' set between 780 & 810 unless otherwise stated

For Wall Mounted closets, dimension 'Y' can vary but the relationship between dimension 'X' and 'Y' **MUST** be maintained

## SECTION 4

## Lever Operated (Single flush)

### 6 Litre Flush

Note:- unless quoted below tanks to be fitted as detailed on previous page

BTW Closets		
Exceptions	'X'	'Z'
Contour	1035**	-
Contour 21	850**	250
Contour 21 R.Ht.	900**	250
Contour 21 700 R.Ht.	900*	250
Contour 21 750 R.Ht	900*	250
Contour 21 305 Schools	900**	250
Contour 21 355 Schools	900**	250
Jasper Morrison	780	290
Moments	780	260
Perth 2♦	-	-
Playa	880**	-
Sandringham 21	810**	260

WM Closets			
Exceptions	'X'	'Y'	'Z'
Braemar 21	880**	-	-
Celano♦	-	-	-
Concept	780	400	280
Contour 21	900**	450	250
Contour 21 700	900*	450	250
Contour 21 750	900*	450	250
Create	780	400	255
Lagaro	780	420	245
Moments	780	400	250
Playa	880**	400	-
Sandringham 21	810**	400	-
Santorini	780	400	280
Secrets	780	400	255
Secrets	780	400	255
White♦	-	-	-

\* Constructed bend 'C' to be used

\*\* Swept bend 'B' to be used

♦ **IMPORTANT** :- White and Celano WM and Perth 2 BTW closets are not to be used with lever operated cisterns

### 4.5 Litre Flush

Note:- Only closets listed are suitable for 4.5Litre single flush

Back to Wall Closets	'X'	'Z'
Alto/Halo	970**	-
Concept	780	-
Concept Space	780	-
Contour 21	850**	250
Contour 21 R.Ht	900**	250
Contour 21 700 R.Ht	900*	250
Contour 21 750 R.Ht	900*	250
Contour 21 305 Schools	900**	250
Contour 21 355 Schools	900**	250
Create	910**	-
Jasper Morrison	780	290
New Studio	780	-
Oracle	780	-
Playa	880**	-
Profile 21	780	-
Sandringham	910**	-
Sandringham 21	810**	260
White	780	-

WM Closets	'X'	'Y'	'Z'
Alto/Melrose	910**	400	-
Concept	780	400	280
Contour 21	900**	450	250
Contour 21 700	900*	450	250
Contour 21 750	900*	450	250
Create	910**	400	255
Jasper Morrison	880**	400	-
Playa	880**	400	-
Sandringham 21	970**	400	-
Santorini	780	400	280

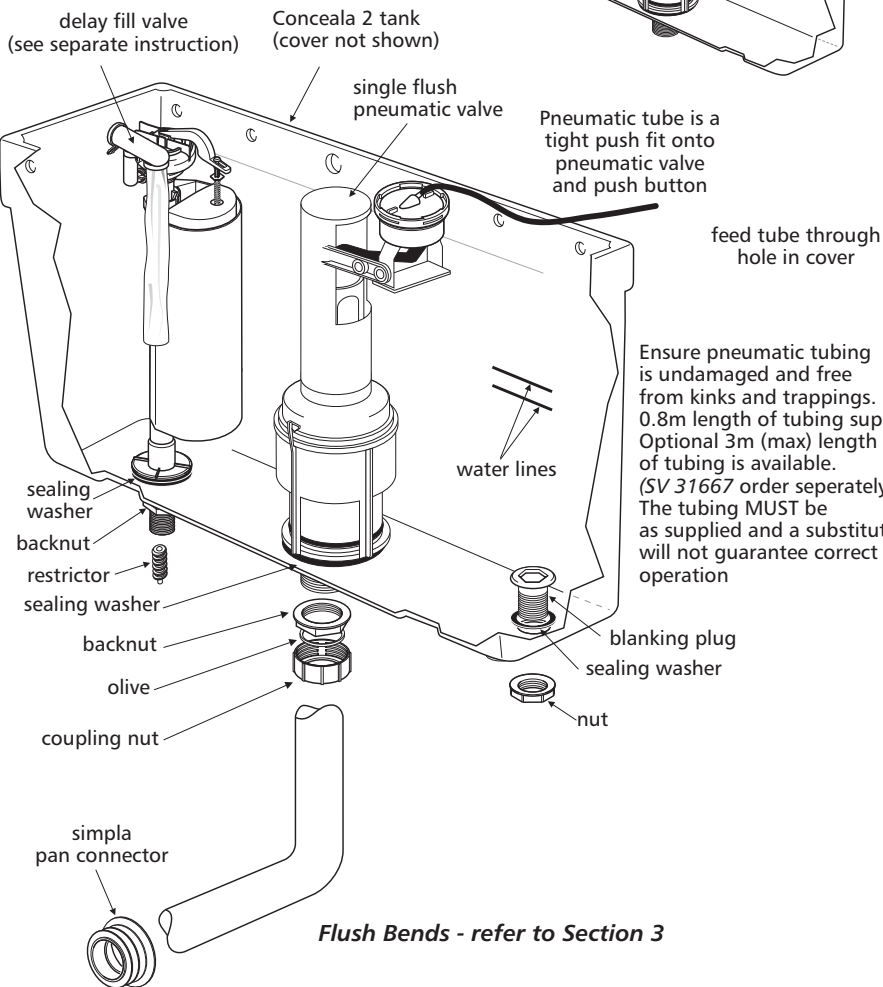
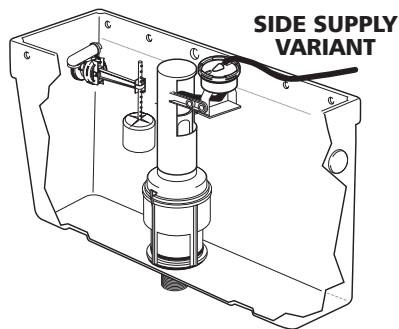
\* Constructed bend 'C' to be used

\*\* Swept bend 'B' to be used

# Push Button Operated (Single flush)

## SECTION 5

*Illustrations shown may not represent product supplied*

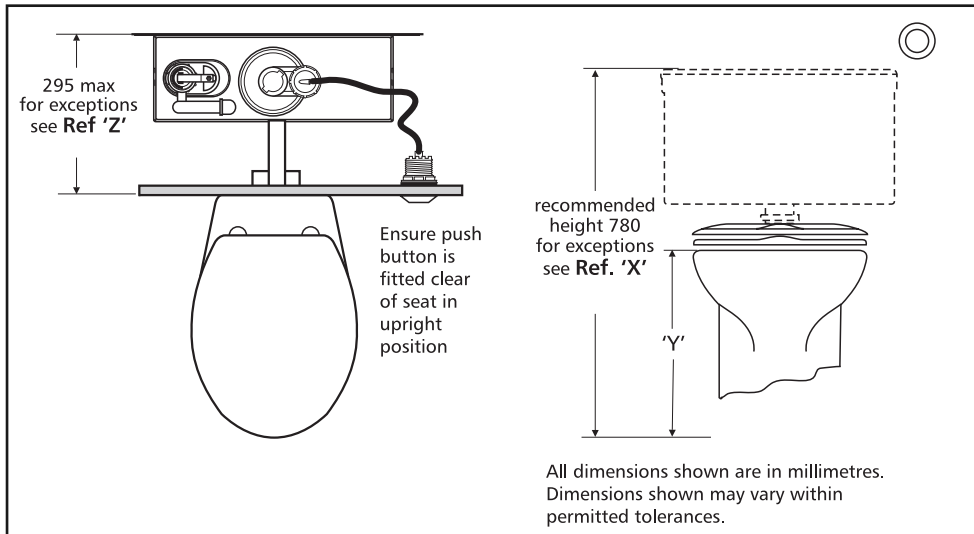


Ensure pneumatic tubing is undamaged and free from kinks and trappings. 0.8m length of tubing supplied. Optional 3m (max) length of tubing is available. (SV 31667 order separately). The tubing **MUST** be as supplied and a substitute will not guarantee correct operation

**Flush Bends - refer to Section 3**

Push Button Operated

## SECTION 5

Push Button Operated  
(Single flush)**Note:**

For WM closets 780 recommended height from floor to top of cistern is with pan front rim at 400mm.  
See Table for exceptions

Sharp flush bend to be used with cisterns height 'X' set between 780 & 810 unless otherwise stated

For Wall Mounted closets, dimension 'Y' can vary but the relationship between dimension 'X' and 'Y' **MUST** be maintained

Push Button  
Operated



## Push Button Operated (Single flush)

## SECTION 5

### 6 Litre Flush

Note:- unless quoted below tanks to be fitted as detailed on previous page

BTW Closets		
Exceptions	'X'	'Z'
Contour	910**	-
Contour 21	800**	250
Contour 21 R.Ht.	850**	250
Contour 21 700 R.Ht.	900*	250
Contour 21 750 R.Ht.	900*	250
Contour 21 305 Schools	780**	250
Contour 21 355 Schools	780**	250
Jasper Morrison	780	290
Lagaro	850**	-
Moments	780	260
Sandringham 21	810**	260
Sentry	820**	-
Ventura	935**	-

WM Closets			
Exceptions	'X'	'Y'	'Z'
Braemar 21	900**	-	-
Concept	780	400	280
Contour 21	900**	450	250
Contour 21 700	900*	450	250
Contour 21 750	900*	450	250
Create	780	400	255
Lagaro	780	420	245
Moments	780	400	250
Sandringham 21	810**	400	-
Santorini	780	400	280
Secrets	780	400	255
Tonic	780	400	255
Ventura	950	460	-

\*Constructed bend 'C' to be used

\*\* Swept bend 'B' to be used

### 4.5 Litre Flush

Note:- Only closets listed are suitable for 4.5 Litre flushing

Back to Wall Closets		
	'X'	'Z'
Alto/Halo	850**	-
Concept	780	-
Concept Space	780	-
Contour 21	800**	250
Contour 21 R.Ht	850**	250
Contour 21 700 R.Ht	900*	250
Contour 21 750 R.Ht	900*	250
Contour 21 305 Schools	780**	250
Contour 21 355 Schools	780**	250
Create	910**	-
Jasper Morrison	780	290
Lagaro	850**	-
New Studio	780	-
Oracle	780	-
Playa	820**	-
Profile 21	780	-
Sandringham	820**	-
Sandringham 21	810**	260
Santorini	780	-
Secrets	910**	-
Softmood	780	-
Tempo	780	-
White	780	-

WM Closets			
	'X'	'Y'	'Z'
Alto/Melrose	880**	400	-
Concept	780	400	280
Contour 21	900**	450	250
Contour 21 700	900*	450	250
Contour 21 750	900*	450	250
Create	880**	400	255
Jasper Morrison	780	400	-
Playa	780	400	-
Sandringham 21	910**	400	-
Santorini	780	400	280
Secrets	880**	400	255
Softmood	780	415	-
White	780	400	-

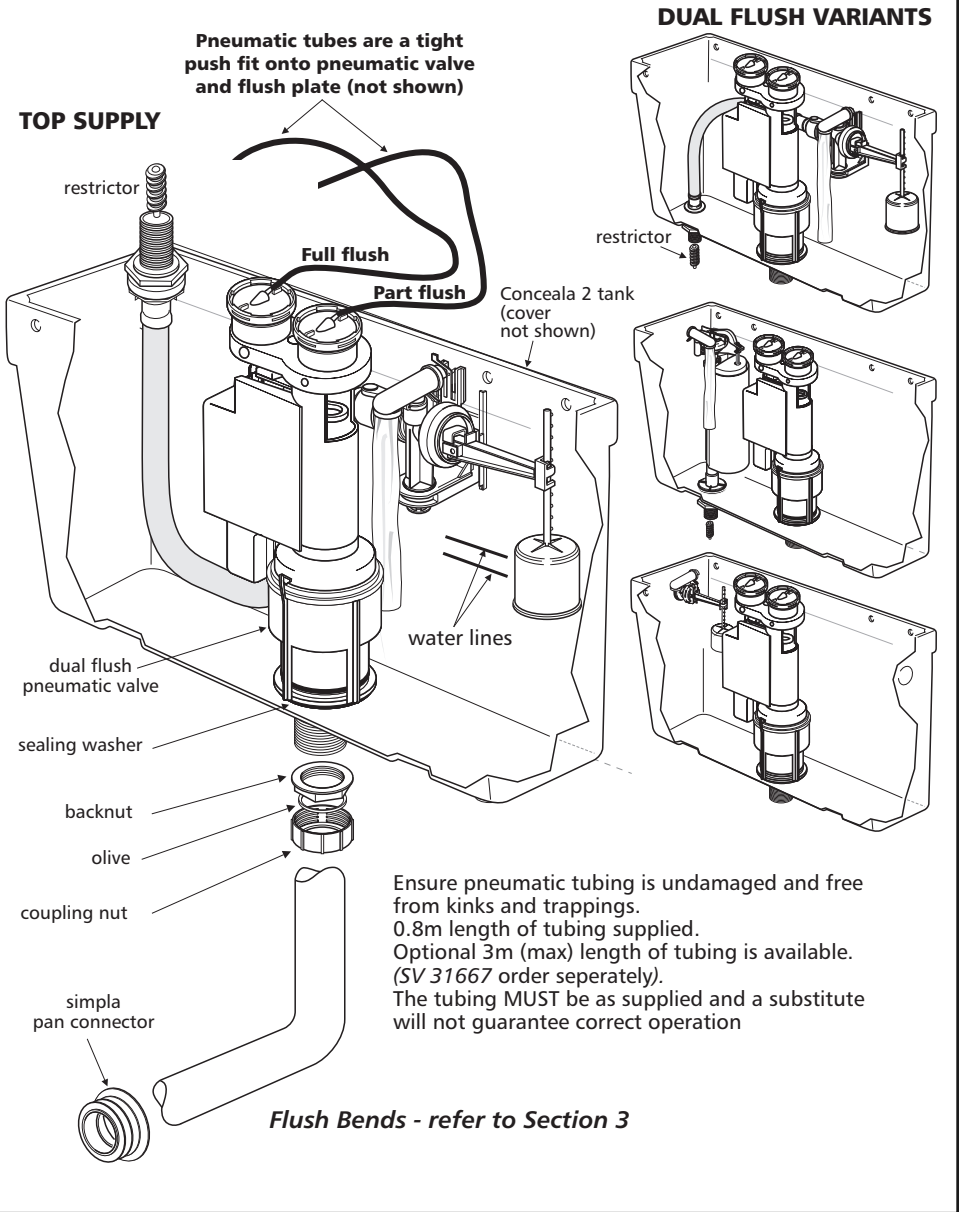
\*Constructed bend 'C' to be used

\*\* Swept bend 'B' to be used

**SECTION 6**

**Flush Plate Operated  
(Dual flush)**

*Illustrations shown may not represent product supplied*

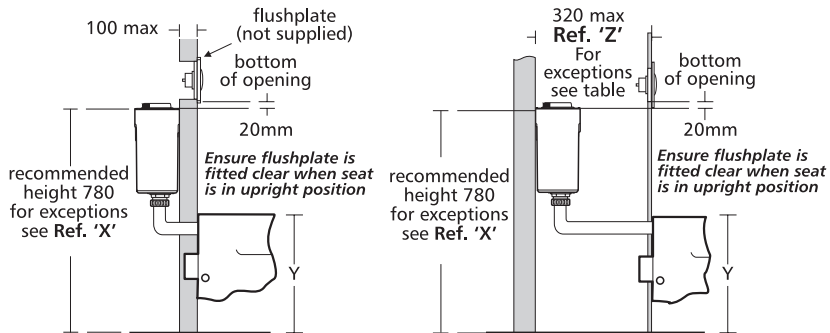


Flush Plate Operated

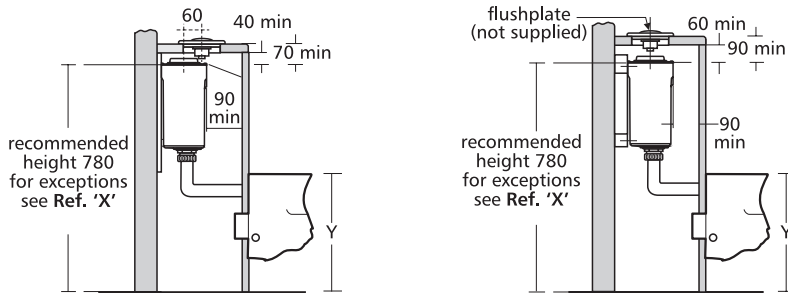
## Flush Plate Operated (Dual flush)

## SECTION 6

### CISTERN MOUNTING FOR WALL OPERATION



### CISTERN MOUNTING FOR TOP OPERATION



Note: For WM closets 780 recommended height from floor to top of cistern is with pan front rim at 400mm  
All dimensions shown in millimetres.  
Dimensions are approx. and may vary within permitted tolerances.

Sharp flush bend to be used with cisterns height 'X' set between 780 & 810 unless otherwise stated

For Wall Mounted closets, dimension 'Y' can vary but the relationship between dimension 'X' and 'Y' **MUST** be maintained

Note:- Contour 21 305 and 355 schools pans are not suitable for this application

## SECTION 6

## Flush Plate Operated (Dual flush)

### 6/4 Litre Flush

Note:- unless quoted below tanks to be fitted as detailed on previous page

BTW Closets		
Exceptions	'X'	'Z'
Concept Aquablade	790	307
Contour	910**	-
Contour 21	800**	250
Contour 21 R.Ht.	850*	250
Contour 21 700 R.Ht.	900*	250
Contour 21 750 R.Ht	900*	250
Jasper Morrison	780	290
Lagaro	850**	-
Moments	780	260
Sandringham 21	810**	260
Tonic 2	780**	270
Ventura	935**	-

\* Constructed bend 'C' to be used

\*\* Swept bend 'B' to be used

WM Closets			
Exceptions	'X'	'Y'	'Z'
Braemar 21	900**	-	-
Concept Aquablade	760	-	306
Concept	780	400	280
Contour 21	900**	450	250
Contour 21 700	900*	450	250
Contour 21 750	900*	450	250
Create	780	400	256
Lagaro	800	-	-
Moments	780	400	225
Sandringham 21	810**	400	-
Santorini	780	400	280
Secrets	780	400	256
Tonic	780	400	255
Tonic 2	765	-	280
Ventura	950**	460	-

### 4.0/2.6 litre and 4.5/3.0 litre Flushing

Note:- Only closets listed are suitable for 4.0/2.6 and 4.5/3.0 Litre flushing

Back to Wall Closets		
	'X'	'Z'
Celano	780	-
Concept	780	-
Concept Aquablade	790	315
Concept Space	780	-
Contour 21	800**	250
Contour 21 R.Ht	850**	250
Contour 21 700 R.Ht	900*	250
Contour 21 750 R.Ht	900*	250
Contour 21 305 Schools	780**	250
Contour 21 355 Schools	780**	250
New Studio	780	-
Oracle	780	-
Playa	810**	-
Profile 21	780	-
Sandringham	820**	-
Sandringham 21	810**	260
Santorini	780	-
Softmood	780	-
Tempo	780	-
Tonic 2	780**	270

WM Closets			
	'X'	'Y'	'Z'
Celano	780	410	-
Concept	780	400	280
Concept Aquablade	765	-	320
Contour 21	900**	450	250
Contour 21 700	900*	450	250
Contour 21 750	900*	450	250
Jasper Morrison***	900**	400	-
Playa	780	400	-
Sandringham 21	970**	400	-
Tonic 2	775	-	280
Softmood	780	415	-

\* Constructed bend 'C' to be used

\*\* Swept bend 'B' to be used

\*\*\* only suitable for 4.5/3.0 Litre flushing

Flush Plate  
Operated

**CUSTOMER CARE HELPLINE**  
**0870 1296085**  
**CUSTOMER CARE FAX LINE 01482 499611**  
**email: ukcustcare@IdealStandard.com**

We pursue a policy of continuing improvement in design and performance of our products. The right is, therefore, reserved to vary specifications without notice.