

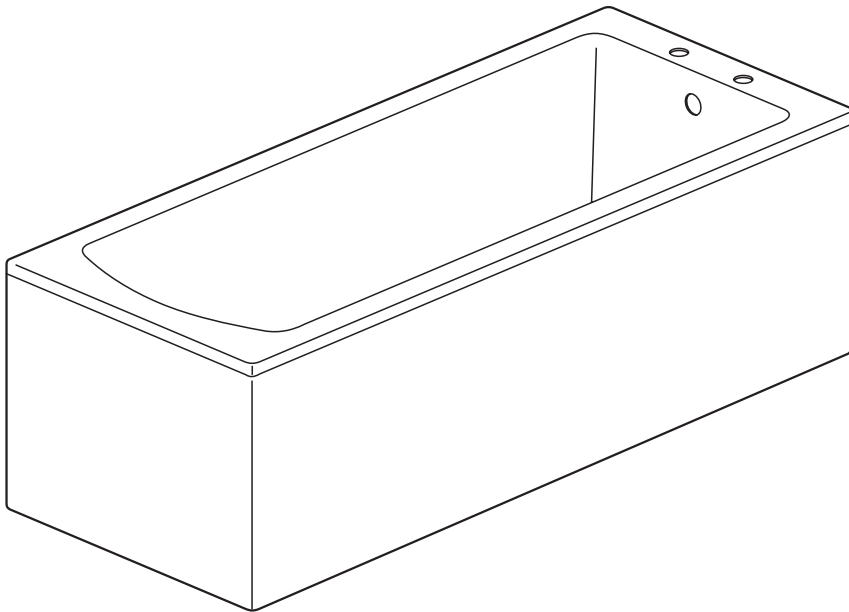


*Armitage
Shanks*

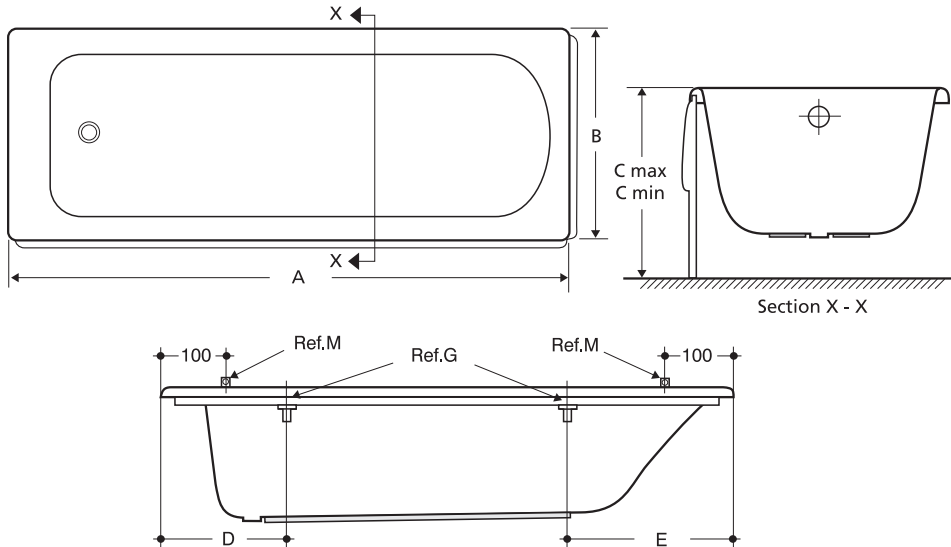
ACRYLIC BATHS

Installation Instructions

Please pass on to user



TECHNICAL INFORMATION



All dimensions shown in millimetres.

Dimensions shown may vary within permitted tolerances.

Fig. 1

	A	B	C Max	C Min	D	E
Sandringham 21	1695	695	540	510	370	500
Senses	1695	695	542	500	390	450
Senses Double End	1695	745	542	500	470	470
Vue	1695	695	540	500	360	440

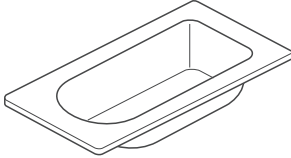











BEFORE YOU START

- Before commencing installation, carefully remove packaging/protective film and check for damage. If damaged, report immediately to supplier.
- Check the packs and make sure that you have all parts listed. If not, contact the supplier.
- Ensure the water feeds and waste connection points are positioned appropriately for the installation.
- Care should always be taken when drilling into walls and floors to avoid any sunken wires or pipes.
- The bath should be fully protected during the installation process.
- Please note: Although these instructions are comprehensive, it is always recommended that a technically competent installer should undertake installation.


Appropriate safety equipment/workwear should be used

The 4 black - No. 8 x 40 long countersunk crosshead self tapping screws removed from the bath are NOT REQUIRED.

BATH COMPONENTS

Ref.	Description		Qty.
A	Bath Tub		1
B	Bath Legs		2
C	Centre Support Bracket		1
D	Short Bath Foot		1
E	Bath Feet		4
F	Bath Feet Locking Nuts		10
G	Plastic Leg Adjuster		4
H	No. 8 x 12 Pan Head Self Tapping Screw		4
J	No. 8 x 16 Countersunk Woodscrew		2
K	No. 8 x 20 Pan Head Self Tapping Screw		10
L	No. 8 x 30 Countersunk Woodscrew		4
M	Wall Bracket		2

Front Panel (sold & supplied separately)

Ref.	Description		Qty.
V	Panel		1

End Panel (sold & supplied separately)


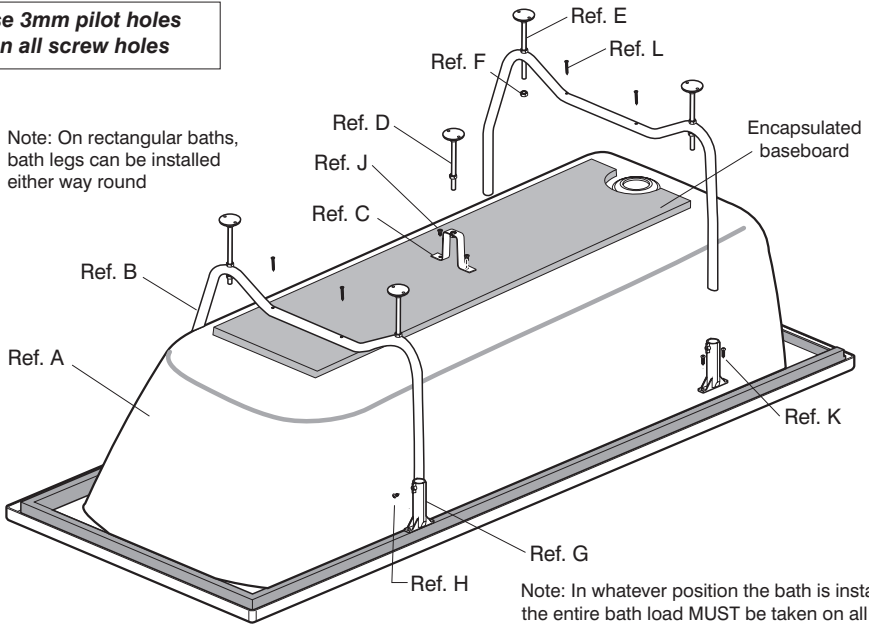
Ref.	Description		Qty.
R	Panel		1

Fig. 2

BATH ASSEMBLY

Use 3mm pilot holes on all screw holes



Note : For double ended baths.
To allow access to pipe work, we recommend that the tap area of the bath is installed away from the wall.

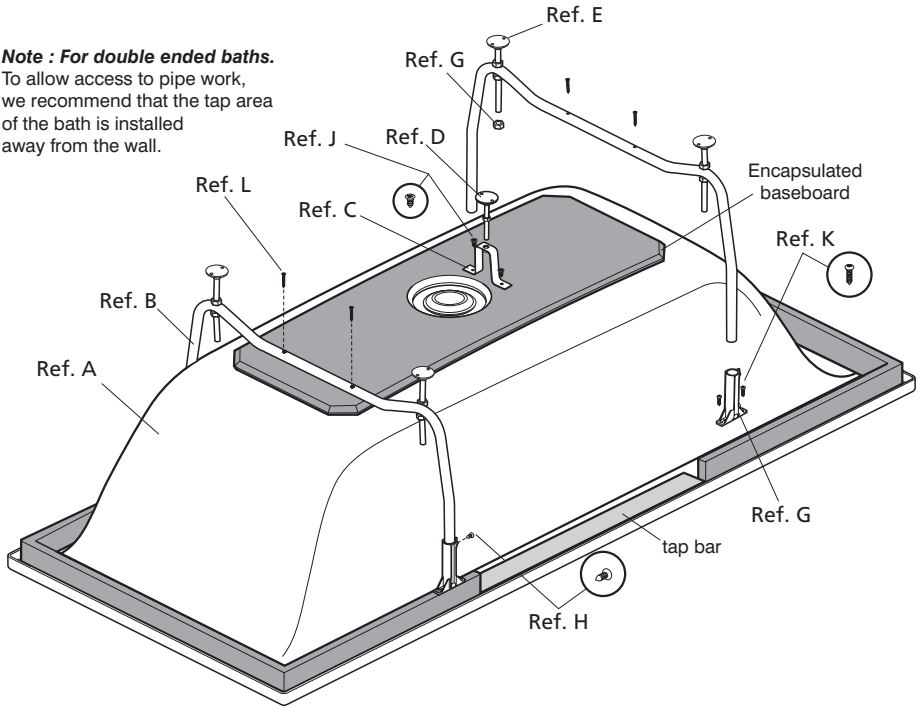


Fig. 3

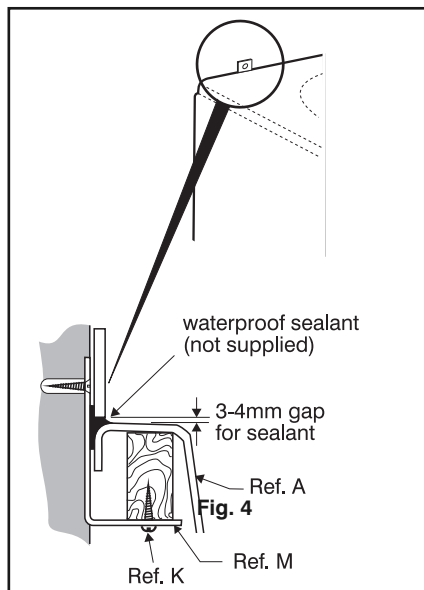
INSTALLATION

1. Lay bath face down and remove legs and bags containing feet etc. Discard the 4 black packing screws securing the legs.
2. Locate leg adjusters, (Ref. G) on bath frame and mark positions for the fixing screws. See Fig 1 for dimensions. Pilot drill the holes in the bath frame and fix leg adjusters to frame.
3. Locate bath legs in leg adjusters, (Ref. G) and mark positions for the fixing screws on the base board. Pilot drill the holes in the baseboard, to a depth of 6mm maximum. Position legs in leg adjusters and on base board and secure using screws, (Ref. L). Locate pan head self tapping screws (Ref. H) into leg adjusters and tighten.

DO NOT OVER TIGHTEN.

4. Locate centre support bracket, (Ref. C), centrally on the base board. Mark screw hole positions, pilot drill holes in baseboard, to a depth of 6mm maximum, and secure bracket using screws (Ref. J).
5. Attach the feet and adjust to give floor to top of rim height of C Max. Stand the bath on its feet.
6. Fit tap and waste fittings. If the bath is to be installed with a monoblock mixer, a special hole(s) will be required to accommodate it and will have to be cut by the installer in an appropriate position on the rim of a no tap hole bath to suit. Full details or a template for cutting the hole(s) is supplied with monoblock fittings. A template for cutting two tap holes in a no tap hole bath is supplied with the bath. Cut tap holes, and fit tap fittings, waste, overflow and trap. When using a monoblock fitting, the area directly behind the pop-up waste mechanism should be avoided.
7. Fix the two wall fixing brackets, (Ref. M) to bath frame as indicated in Fig. 4 and Fig. 1. Pilot drill holes in frame before fixing brackets.
8. Fix bath to wall, Fig. 4.
9. Fix bath to floor, ensuring that all nuts are tight and that the bath is level. Re-adjust if necessary. Trial fit the panel(s) to verify height is correct.

Note: Untrimmed panel fitment requires the maximum height adjustment (C max Fig. 1), Vue- 510mm from trimmed edge of bath to floor. Senses- 512 from trimmed edge of bath to floor. Remember to allow for floor covering thicknesses.
10. Connect services, test for satisfactory operation of fittings and ensure there are no leaks.
11. Tile down to the height of the bath rim leaving a 3-4mm gap for waterproof sealant, see Fig. 4. An extruded sealing strip can be used for the bath to wall joint as an alternative to waterproof sealant. Protect bath during tiling.

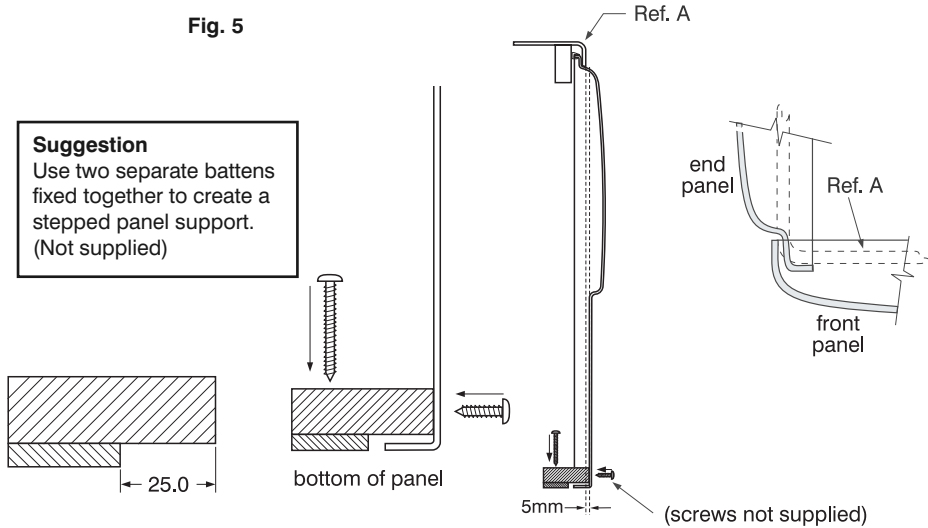


12a. Panel fixation (Vue & Sandringham 21)

Locate and fix the floor battens. Using a spirit level up against the side of the bath, mark a line on the floor vertically down from the rim of the bath. Offset this line outwards by 5mm. This gives the approximate position for the front edge of the floor batten. Fix batten(s) to floor.

Fit panel(s) (end panel first where appropriate) by pushing the top edge under the bath rim, Fig. 5. Secure base of panels to battens using screws or other suitable fixing method, (not supplied).

Fig. 5

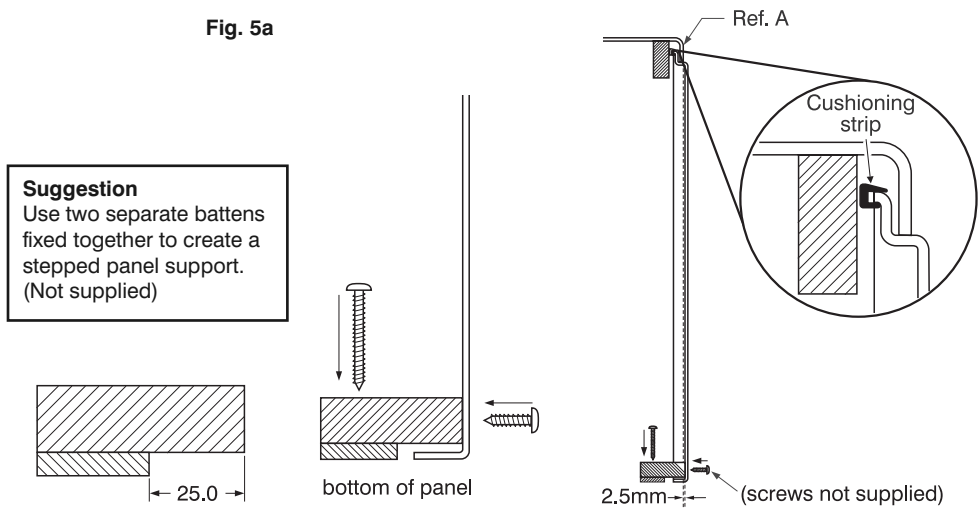


12b. Panel fixation (Senses)

Locate and fix the floor battens. Using a spirit level up against the side of the bath, mark a line on the floor vertically down from the rim of the bath. Offset this line outwards by 2.5mm. This gives the approximate position for the front edge of the floor batten. Fix batten(s) to floor.

Fit panel(s) (end panel first where appropriate) by pushing the top edge under the bath rim, Fig. 5a. If required, add the cushioning strip to the top of the panel for gap adjustment, (supplied). Secure base of panels to battens using screws or other suitable fixing method, (not supplied).

Fig. 5a



CARE OF BATH

This bath left our works in first class condition and the following points should be noted;

TO AVOID DISAPPOINTMENT, PLEASE REMOVE THE PROTECTIVE FILM AND INSPECT BEFORE INSTALLATION.

Responsibility will not be accepted for the installation of faulty baths.

Care of bath - for the installer:

Keep under cover in a clean, dry, weather-proof place.

Do not drop. Protect completely during and after installation (with clean felt etc.).

When making joint to waste, overflow etc. on this product, DO NOT use linseed oil putty or similar based sealing compounds. Ensure rubber washers supplied with waste fittings are located correctly to give watertight seal.

Test the fittings and then do not use the bath for any other purpose.

Please leave this leaflet for the end user to read.

WARNING

- 1. Filling.** It is advisable always to run in some cold water before turning on the hot tap.
- 2. Cleaning.** The bath should always be cleaned immediately after use, preferably whilst the water is running out and the bath is still warm. The film of insoluble soap products, body fats and grime which will otherwise harden on the side of the bath is easily removed at this stage. In hard water districts insoluble lime salts are deposited below the waterline and under leaking taps. If this deposit is allowed to build up, it becomes increasingly difficult to remove and looks unsightly. Prompt cleaning is again the answer. Hot soapy water with a cloth should be used and the bath wiped dry.
- 3. Cleaners of a gritty or abrasive nature should never be used.** Worn washers on dripping taps should be replaced.
- 4. Chemicals.** Acrylic has good resistance properties to acids and alkalis but should not be allowed to come into contact with organic solvents such as dry cleaning agents and paint strippers.
- 5. Removal of scratches.** In the event of slight scratches in the bath surface a mild abrasive, similar to metal polish, can be used to polish these out.
- 6. Burning cigarettes** should not be allowed to come into contact with the surface of this bath or damage may ensue.

Product Guarantee

2 5 Y E A R S

Idealform Acrylic baths

1 0 Y E A R S

Shower enclosures and bath screens

5 Y E A R S

**Valves and kits, bath panels
taps and mixers**

This covers products in domestic use by the consumer and not commercial or business use.

All Ideal Standard products must be installed, used and cared for in line with our fixing instructions, local water byelaws and current water regulations.

Access should always be left for installation, service and repair.
Any relating costs are the responsibility of the owner/installer.

Guaranteed parts will be replaced if found faulty.

This guarantee does not cover general wear and tear.

Applies to the UK and Republic of Ireland only.

Proof of purchase will be required for any warranty claim.

CUSTOMER CARE HELPLINE

0870 1258905

FAX LINE 01482 499611

email: ukcustcare@IdealStandard.com

We pursue a policy of continuing improvement in design and performance of our products. The right is, therefore, reserved to vary specifications without notice.