

Installation Instructions

Please pass on to user

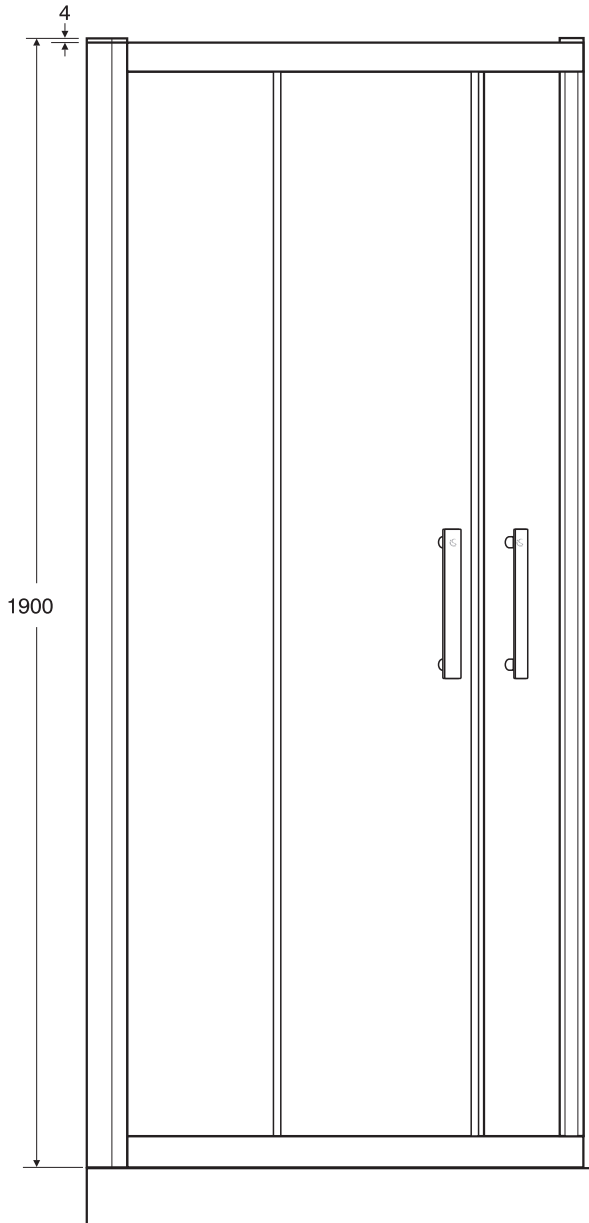
● WARNING!

This product weighs in excess of 19kgs.

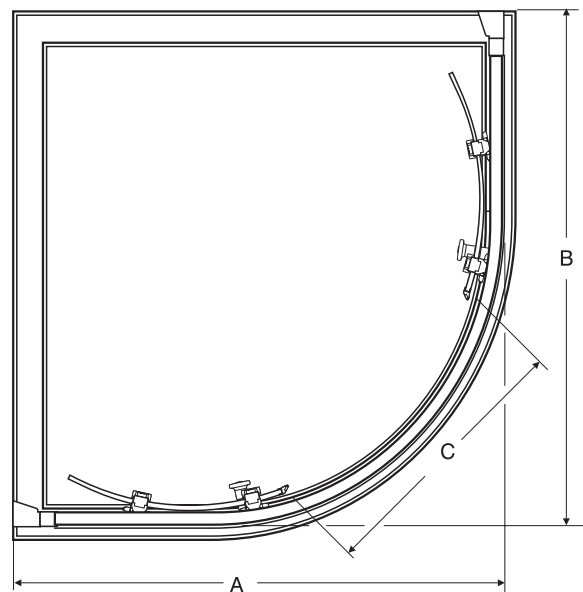
- Please read the instructions fully before commencing installation

● Check for transit damage and shortages. No claim for damage can be accepted after installation.
- Keep these instructions for reference.

● Handle product with care, avoiding knocks and shock loading to all sides and edges of the glass.



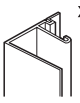
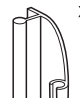
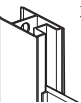


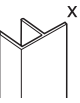
Enclosure	Dim. A Width (mm)	Dim. B Width (mm)	Dim. C Opening (mm)
800	755 - 780	755 - 780	415
900	855 - 880	855 - 880	535
1000	955 - 980	955 - 980	535
900 x 800	855 - 880	755 - 780	448
1200 x 900	1155 - 1180	855 - 880	535


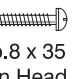
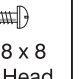
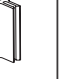


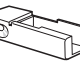
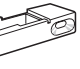



Pack 1
Quadrant Panels



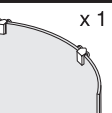
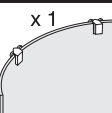
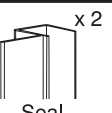
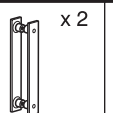
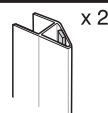
COMPONENTS LEGEND

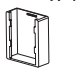
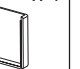
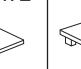
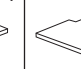


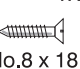
Ref	F1	F2	F3	F4	F5	F6
Frame Components	 x 2	 x 2	 x 2	 x 2	 x 4 Seal	 x 2

Ref	W1	W2	W3	W4	W5	W6
Wall Fixing Pack	 x 8 Wall Plug	 x 16 No.8 x 35 Pan Head	 x 16 No.8 x 8 Pan Head	 x 8	 x 4	 x 4 No.8 x 12 Pan Head
	 x 2	 x 2	 x 4 RH0445			

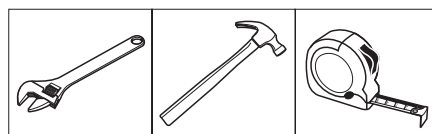
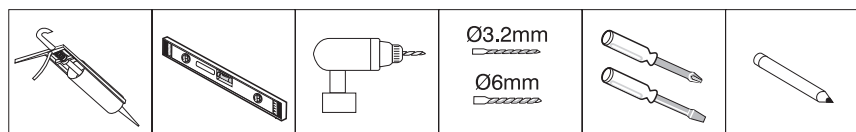
Pack 2
Quadrant Doors



Ref	D1	D2	D3	D4	D5
Door Components	 x 1	 x 1	 x 2 Seal	 x 2	 x 2

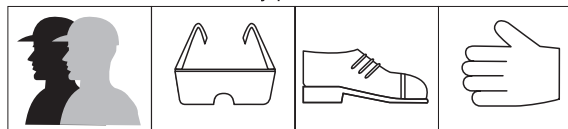
Ref	M1	M2	M3	M4	M5	M6	M7
Moulding Pack	 x 4 RH0599	 x 4 XP0530A	 x 2	 x 1	 x 1	 Grease	 x 2 No.8 x 18 Csk Screw

TOOLS REQUIRED



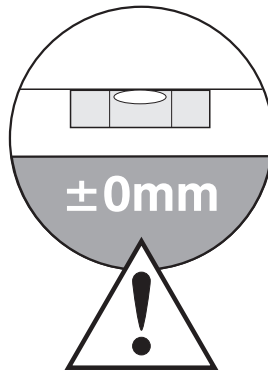
This product is heavy and may require two people to install

Safety protection should be worn



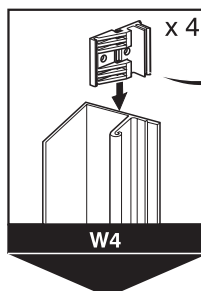
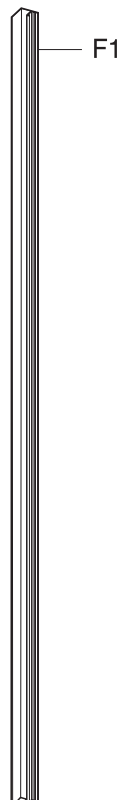
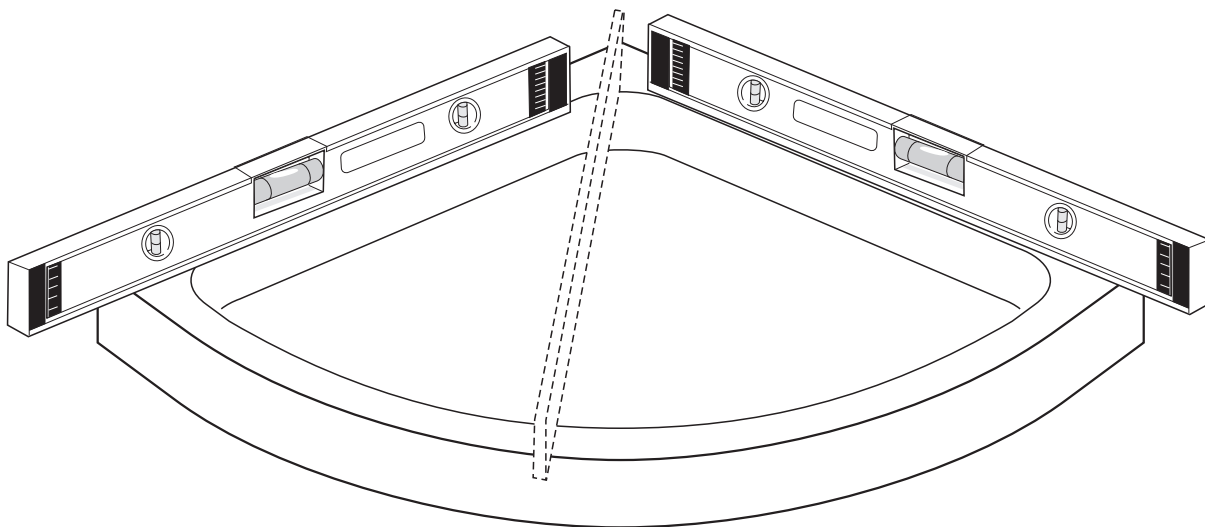
LEVEL

- Ensure tray is level and firm
- Tray **MUST** be sealed before enclosure installation begins
- It is recommended that shower enclosures are fitted onto a tiled wall surface

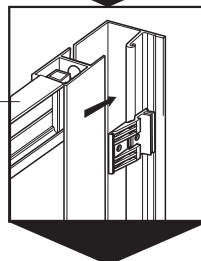


NOTE:

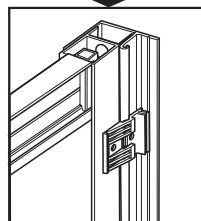
- Wall fixings supplied are for solid wall
- Doors are not handed



slide into approx position

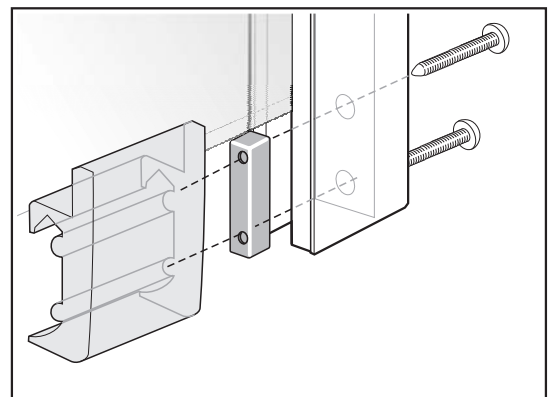
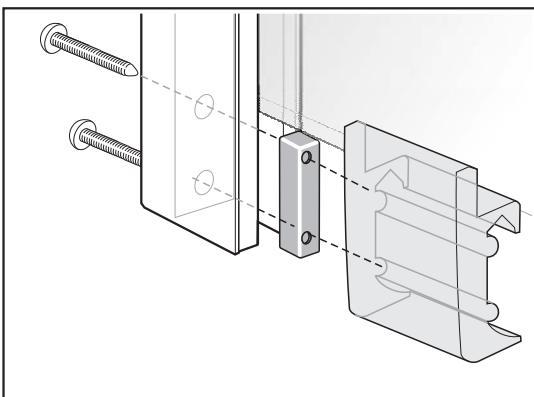
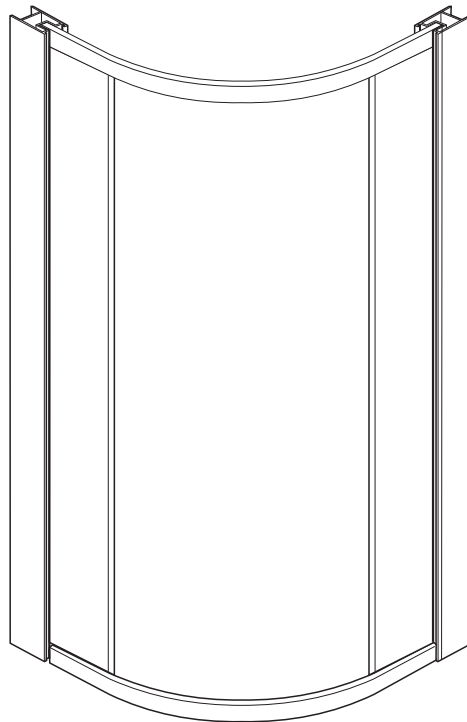
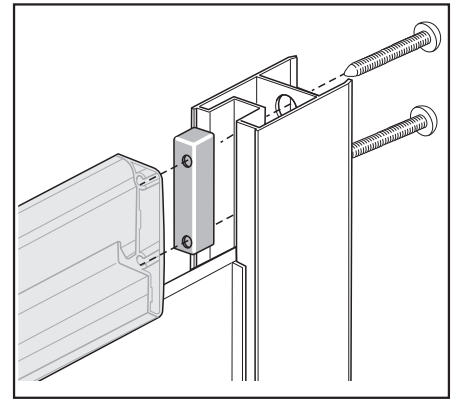
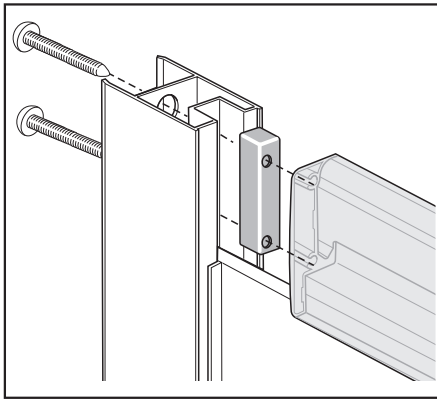
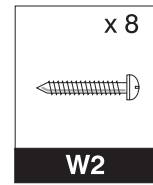
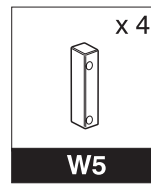
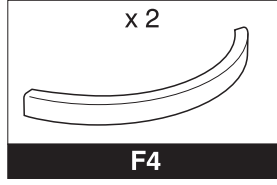
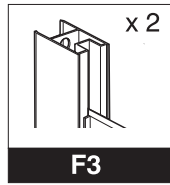


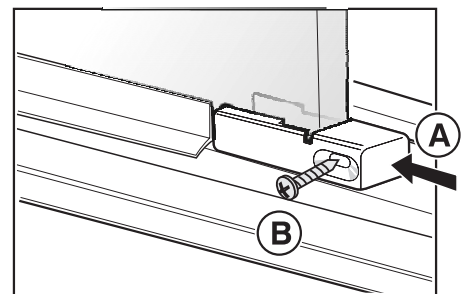
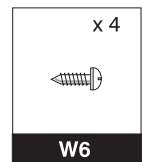
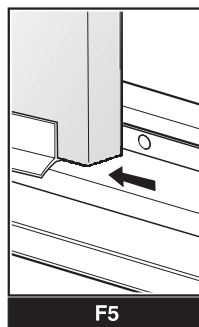
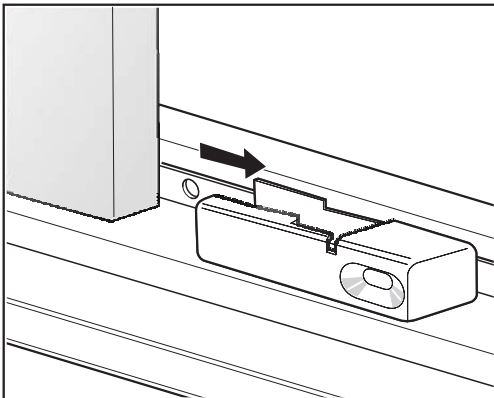
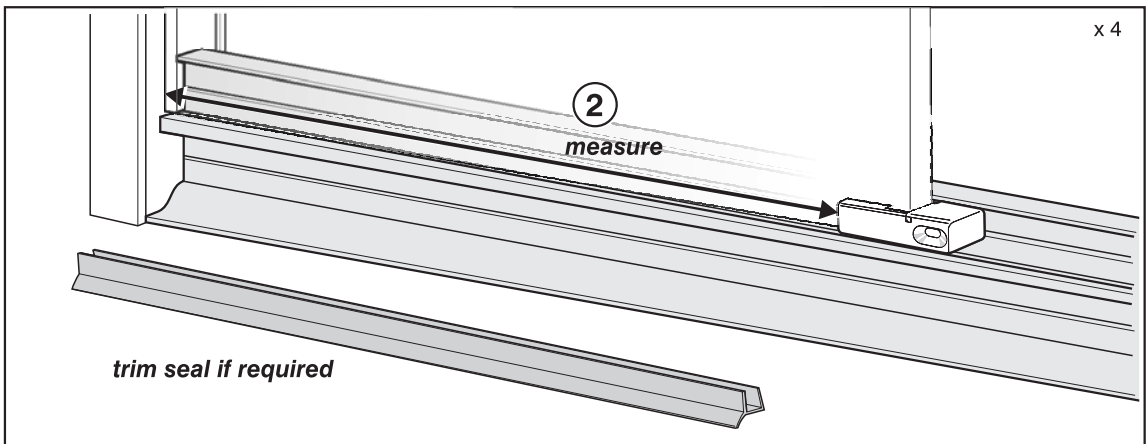
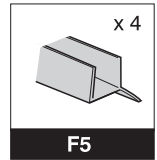
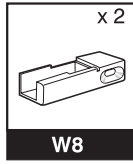
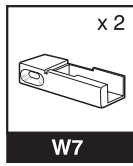
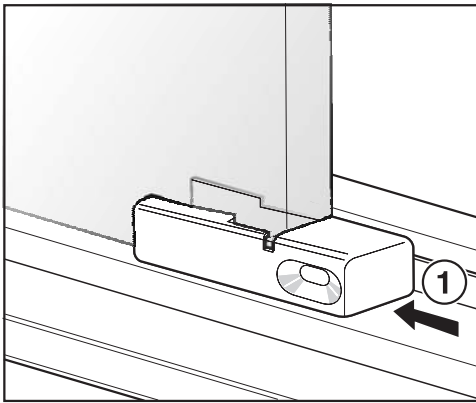
F3

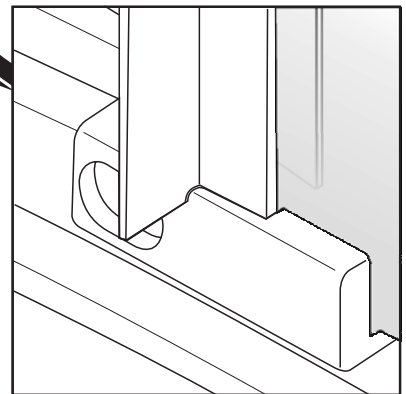
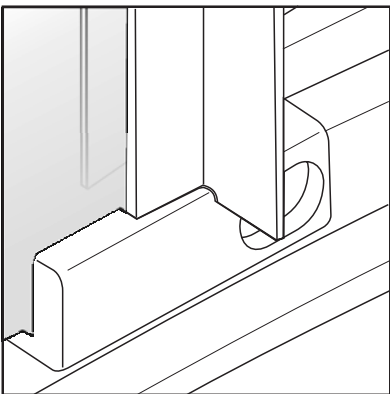
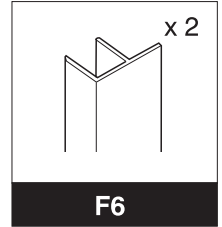
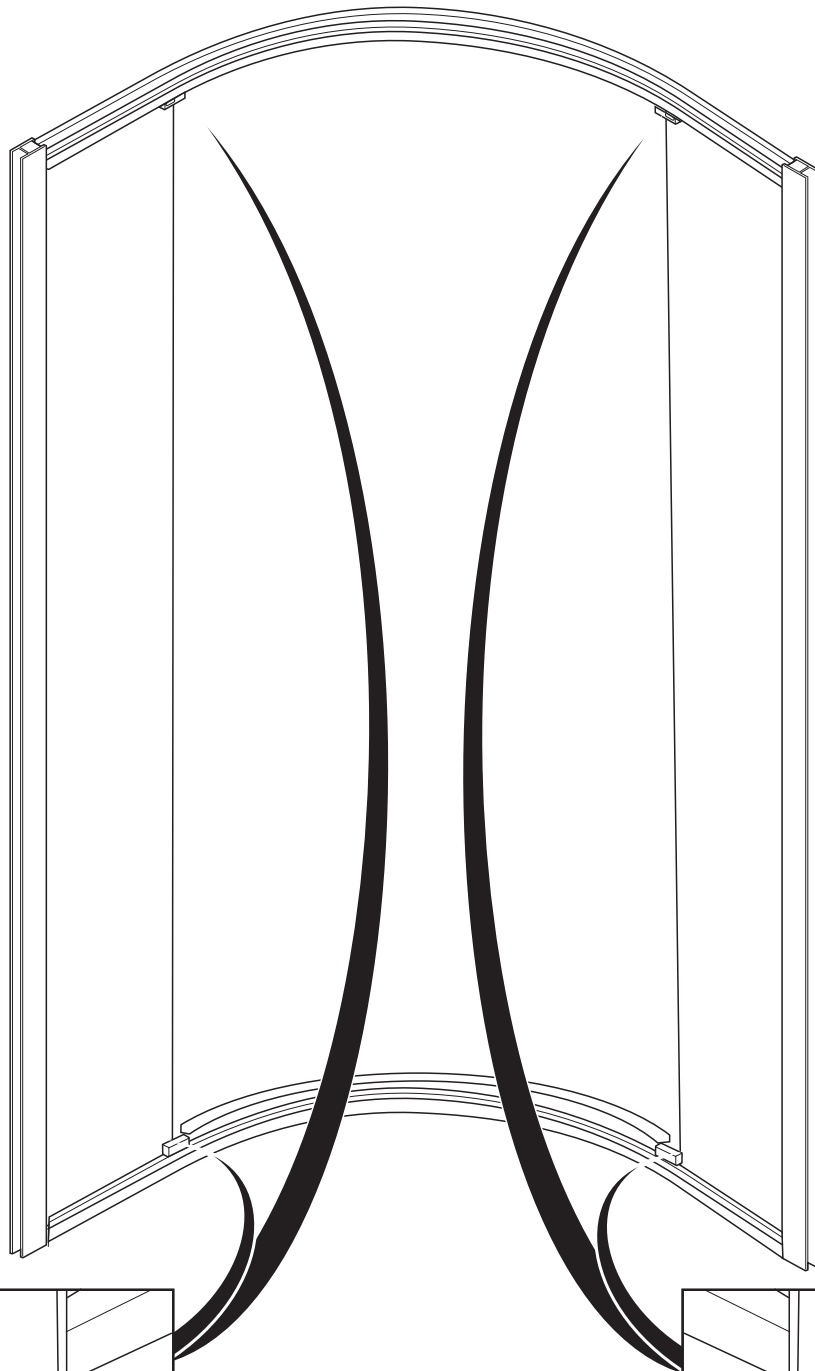


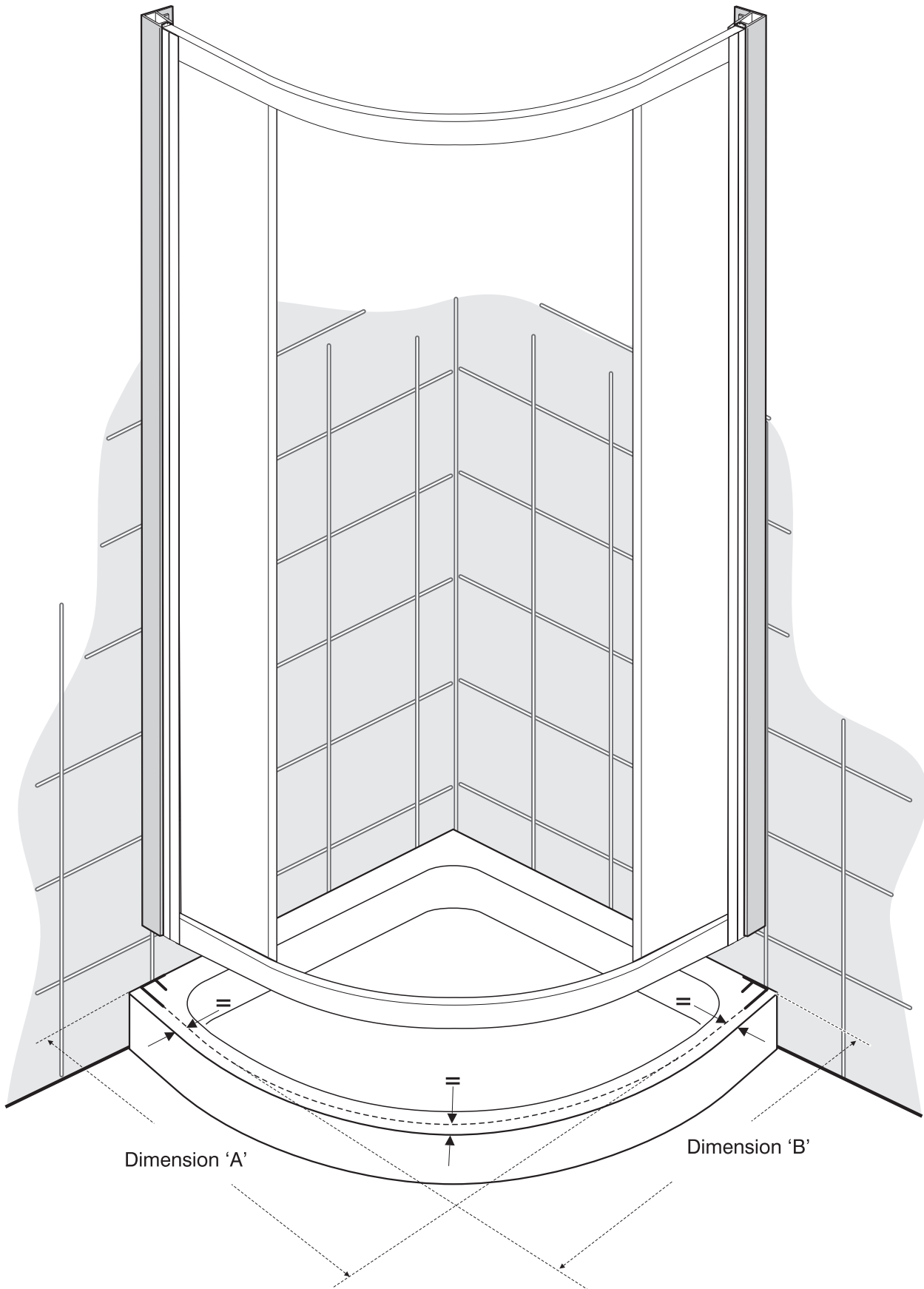
view from inside

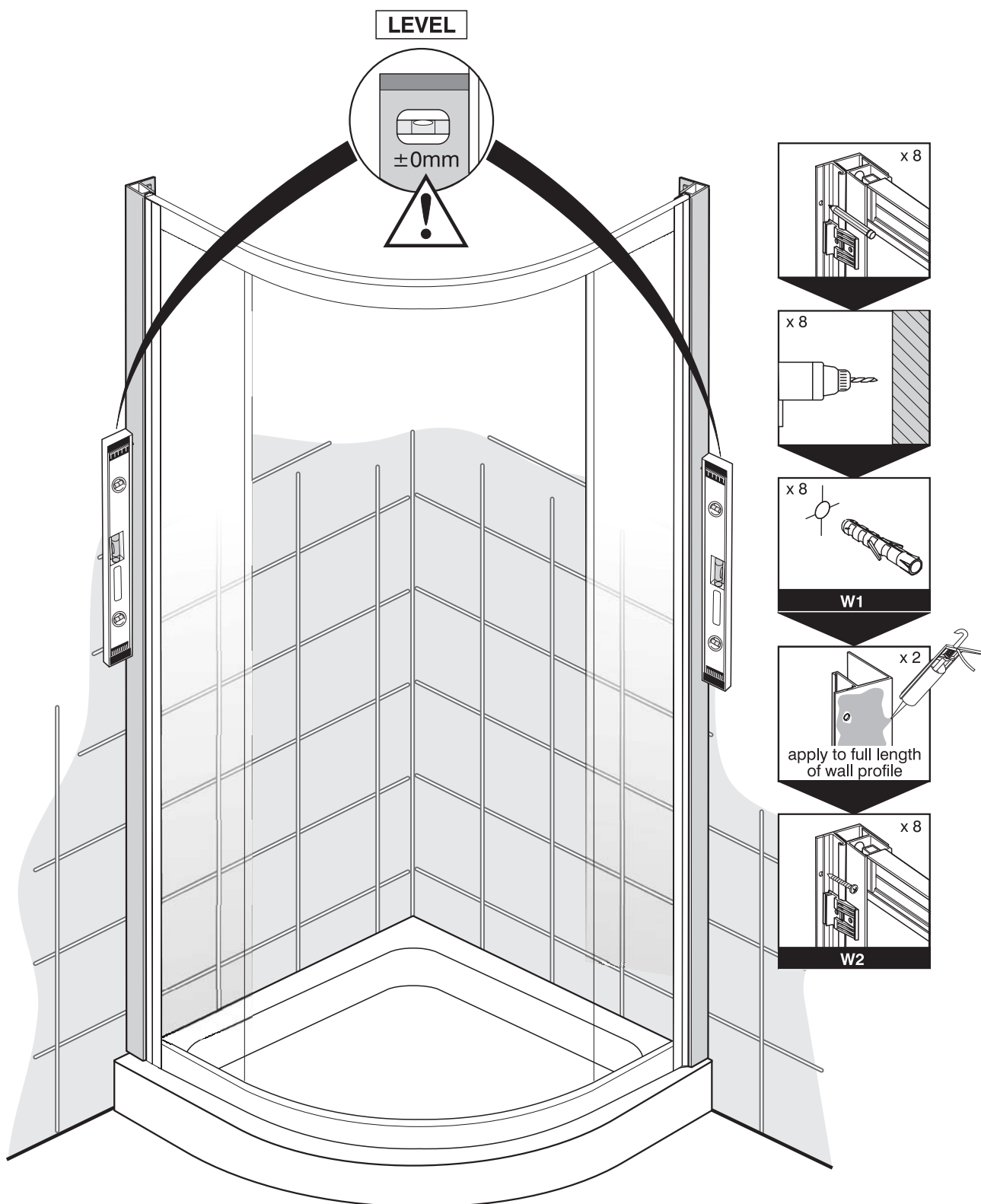
Repeat for other side

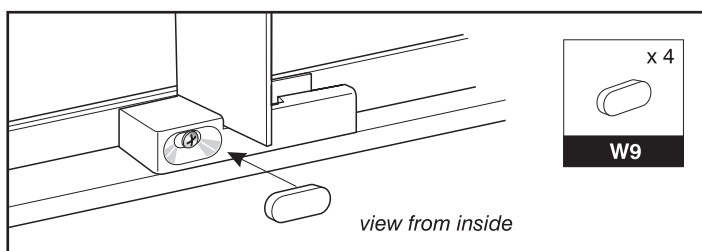
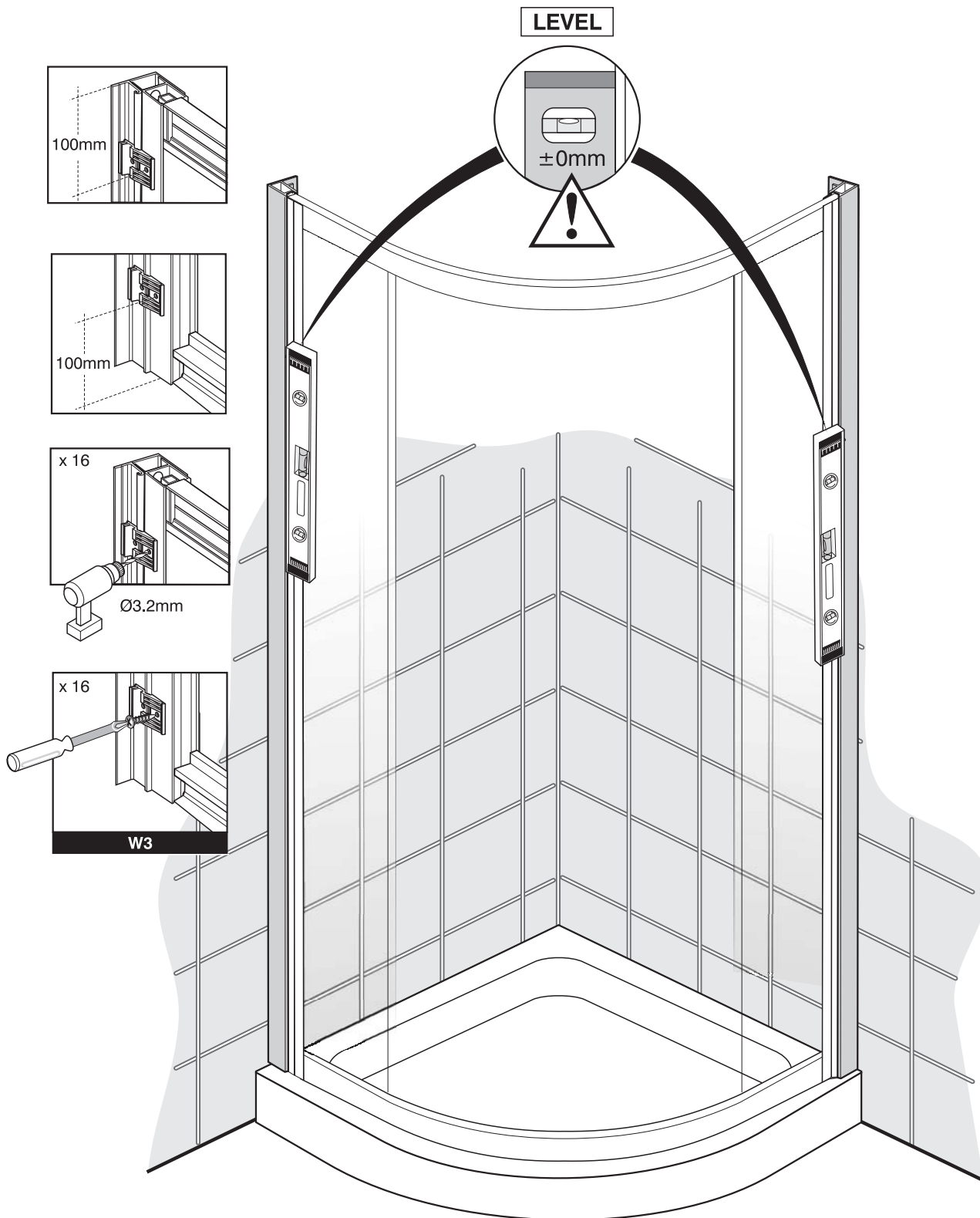






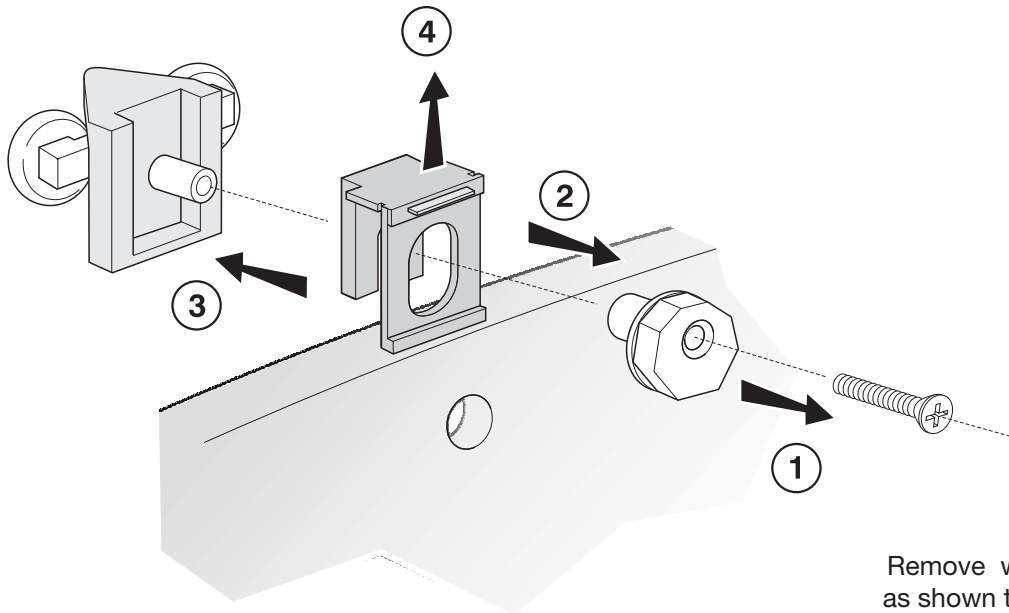
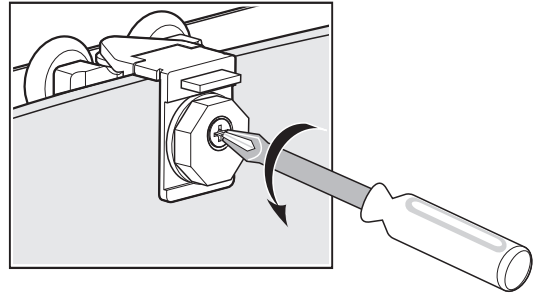
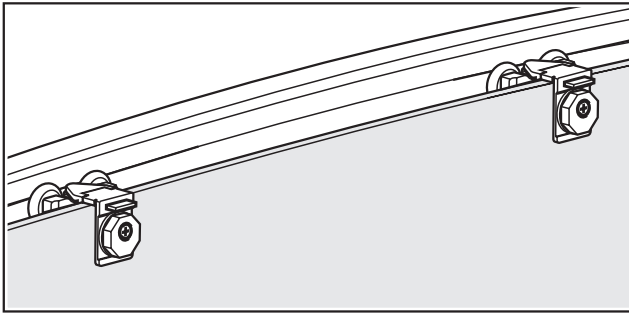




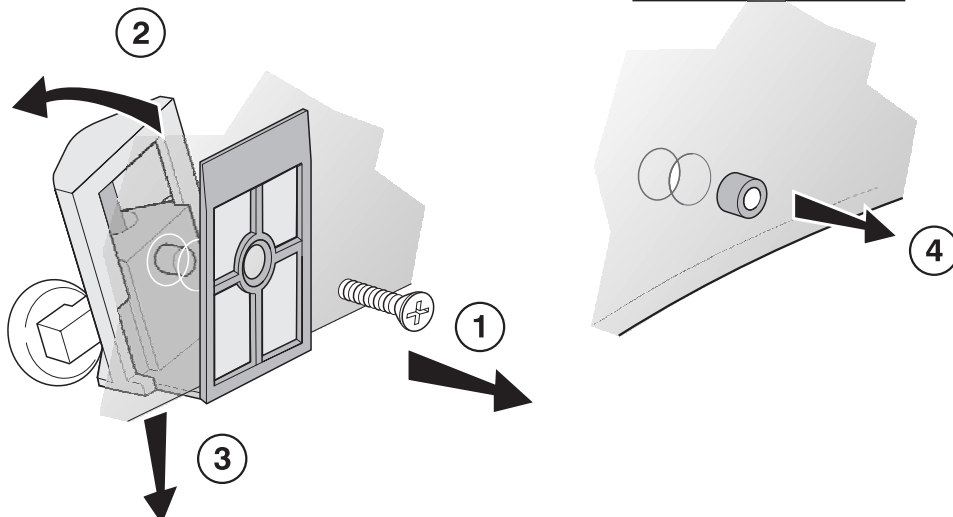
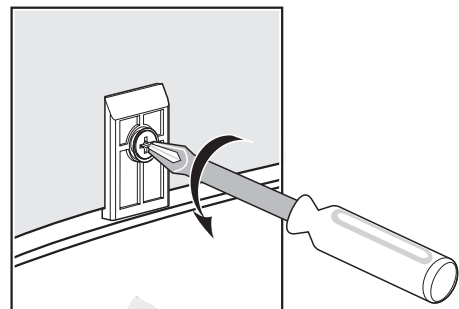
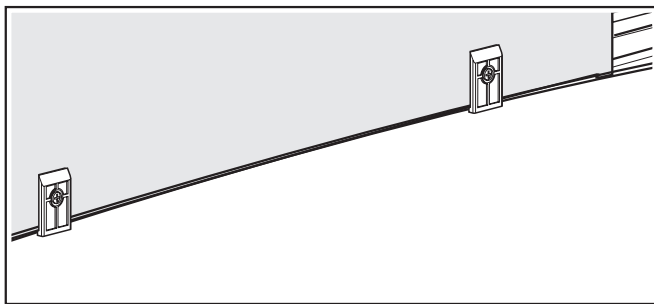


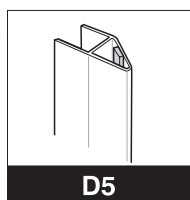
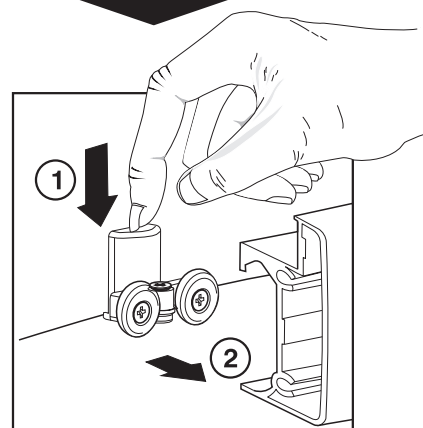
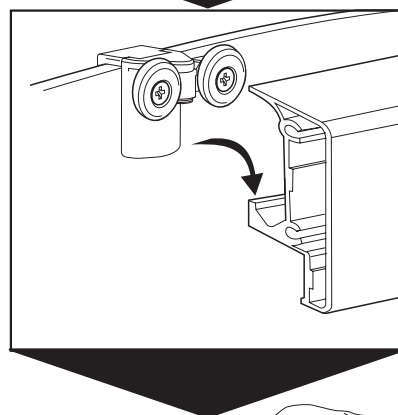
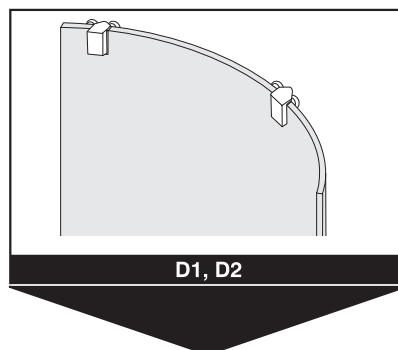
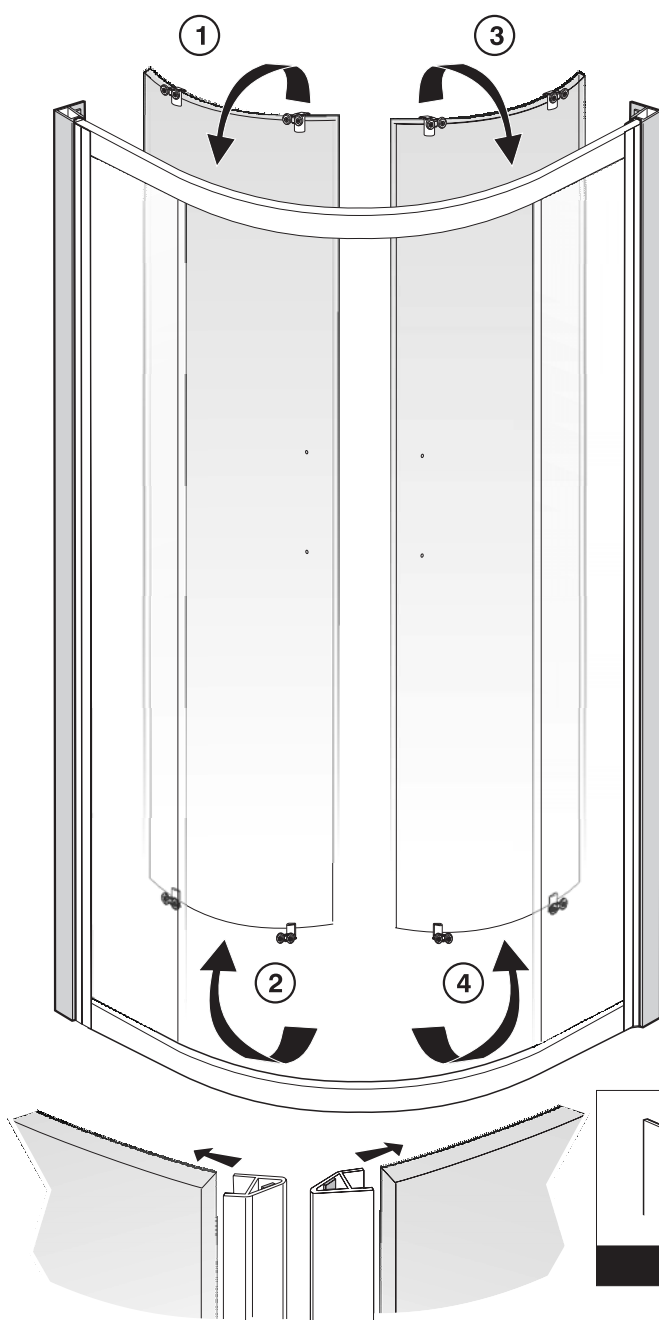
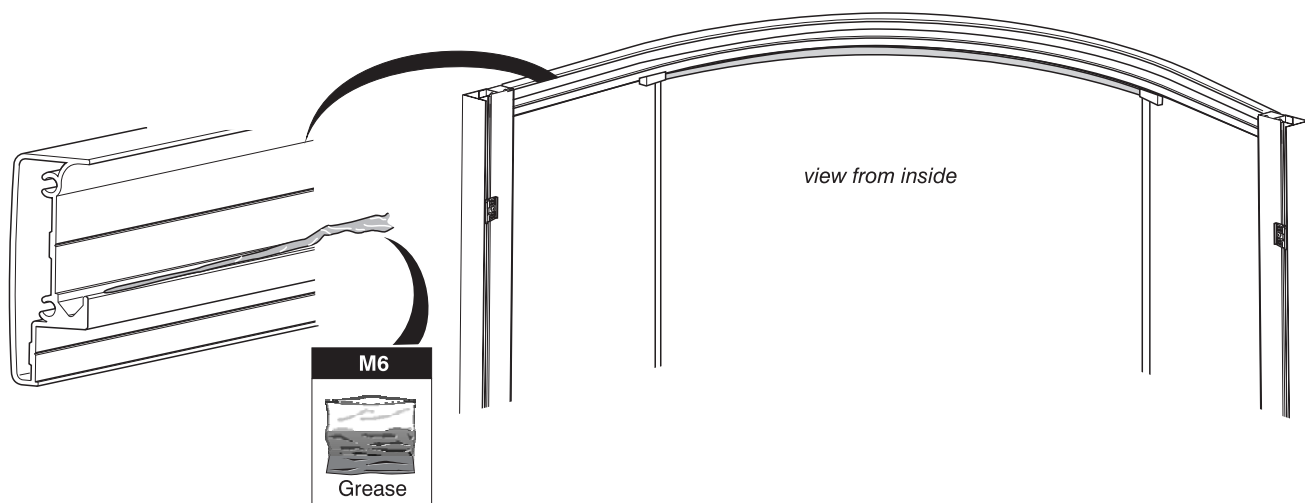
This page is only for 900 x 800 Offset Quadrant

If the doors need to be swapped over, follow the instructions below, if not proceed to the next page



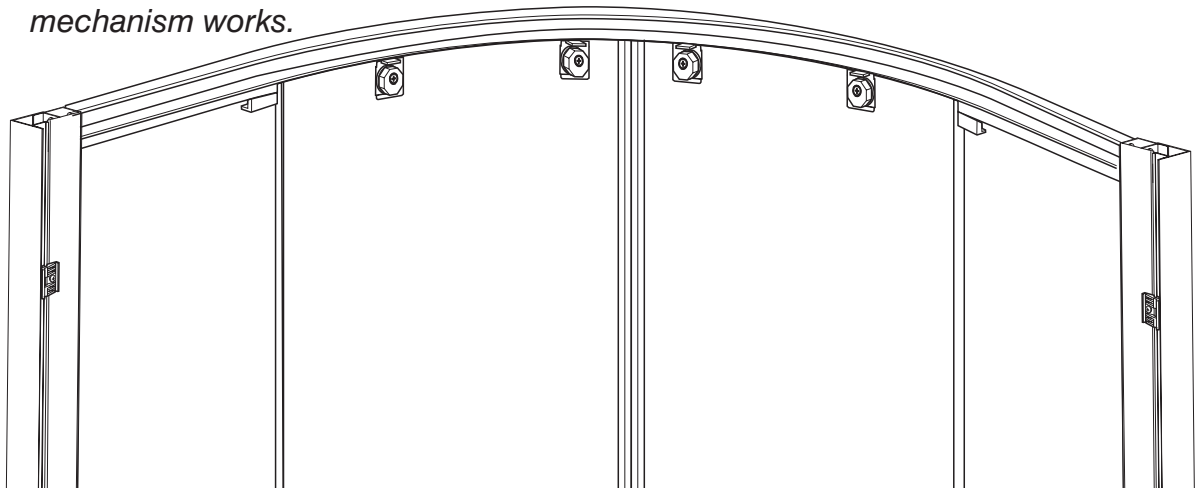
Remove wheel assemblies as shown then re-assemble at appropriate ends of glass



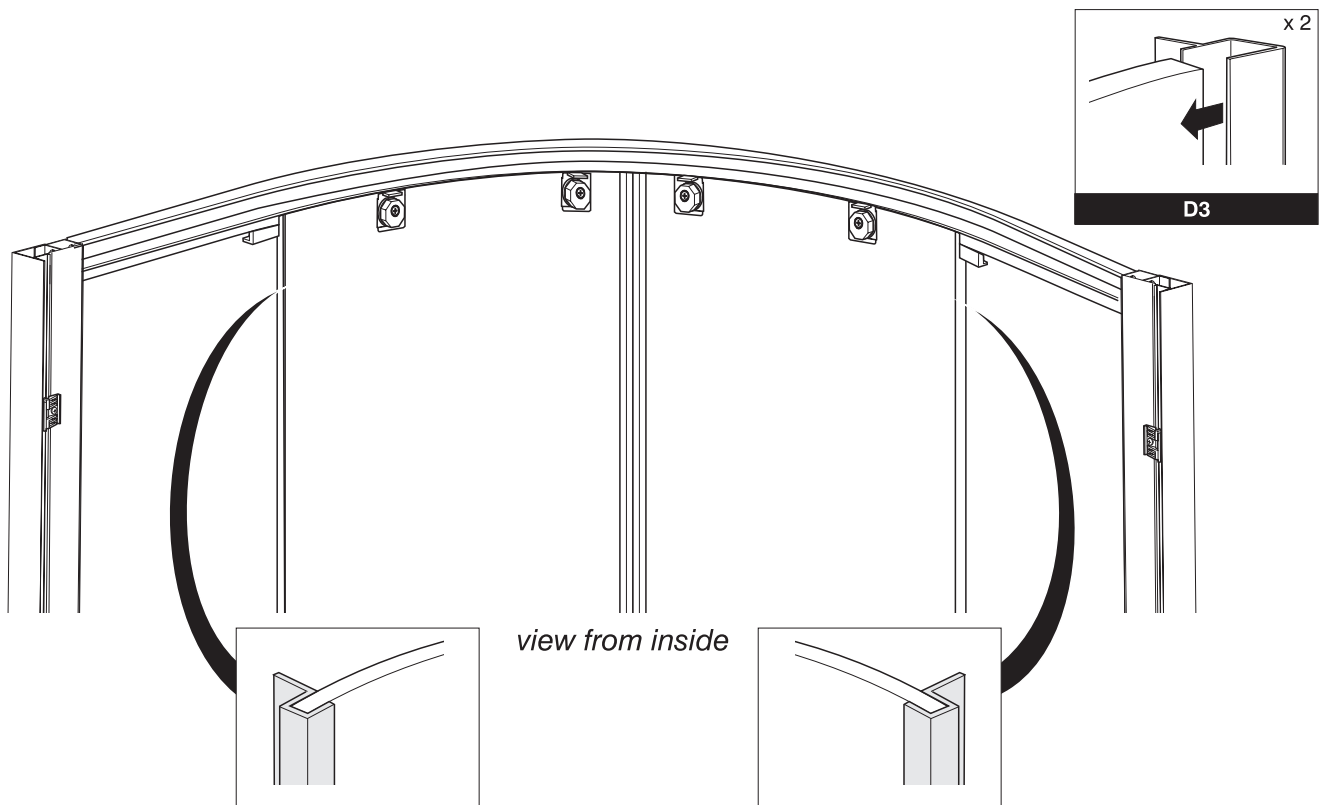
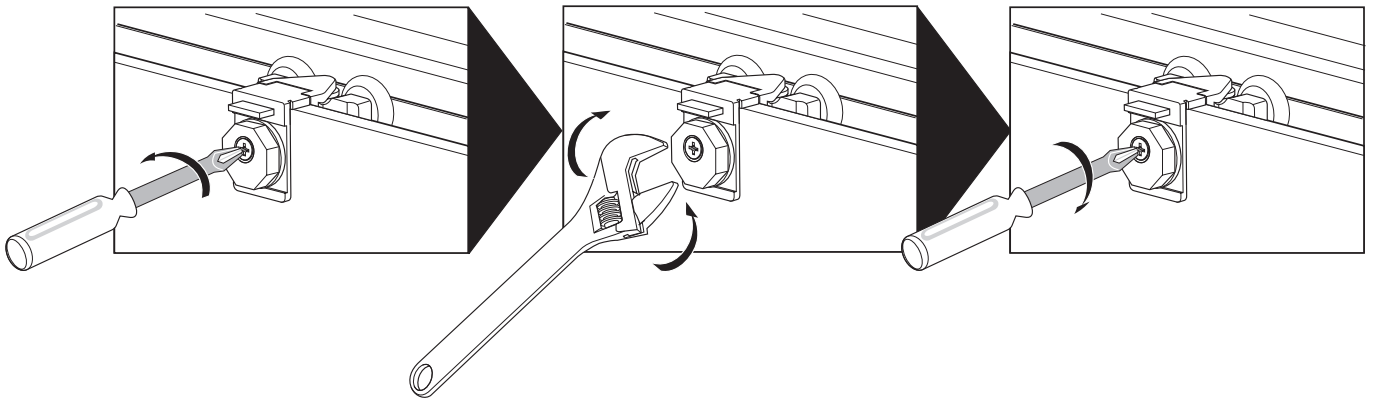


SYNERGY QUADRANT

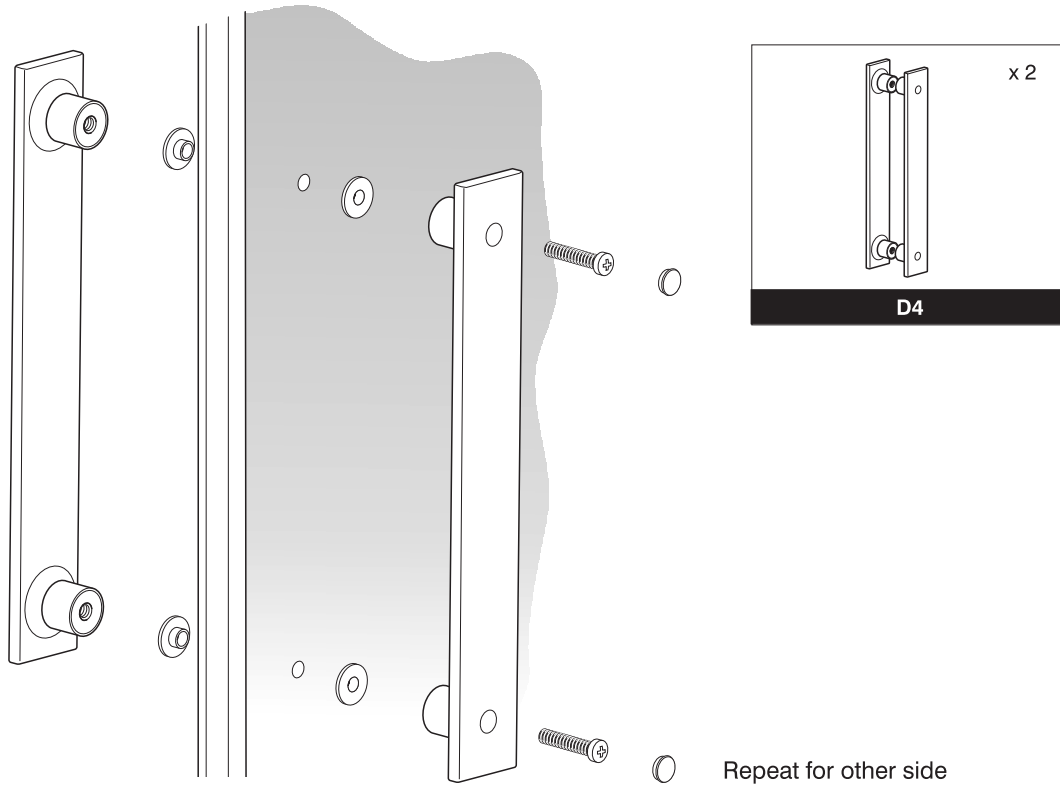
*Adjust wheels to lift the door to highest position.
Then adjust for level, ensuring the bottom wheels are fully
engaged and the 'click and clean' mechanism works.*



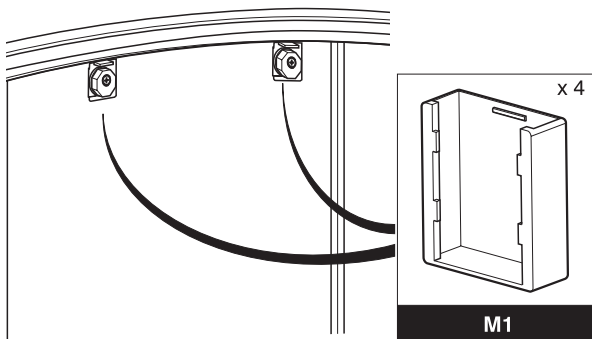
view from inside



view from inside

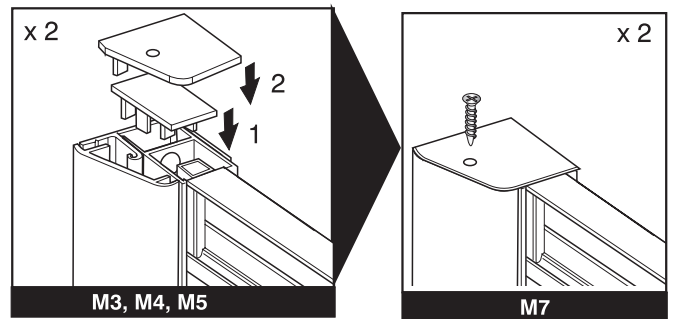
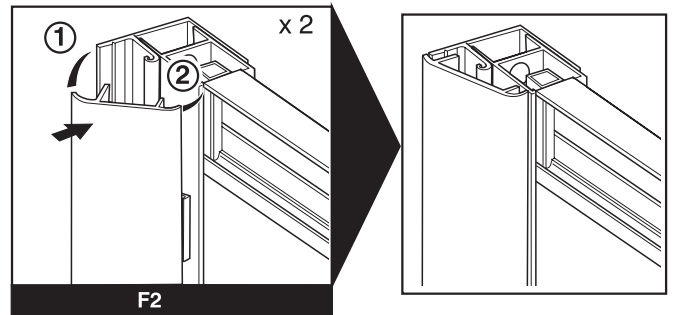
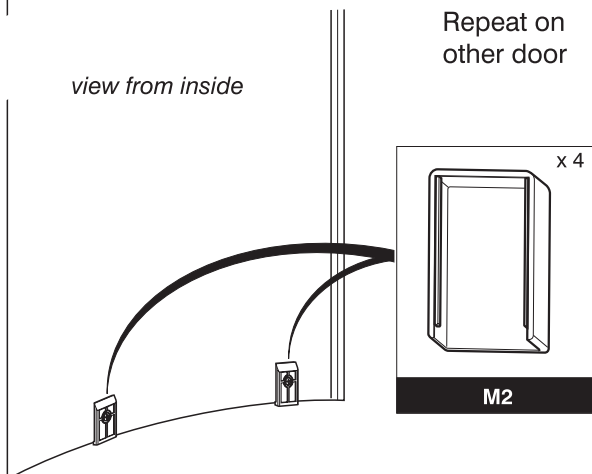


view from inside

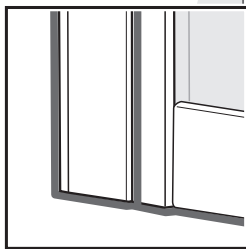
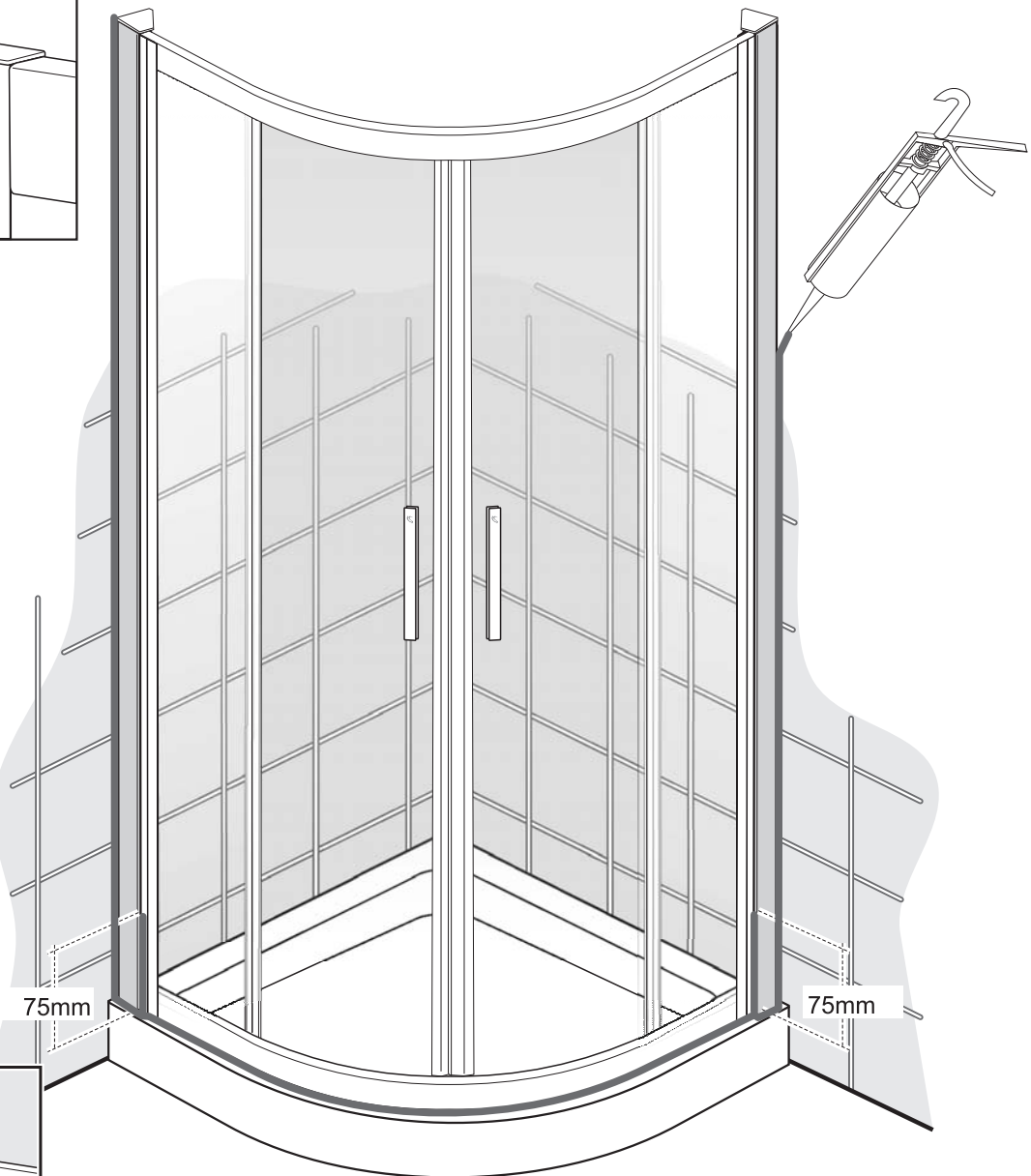
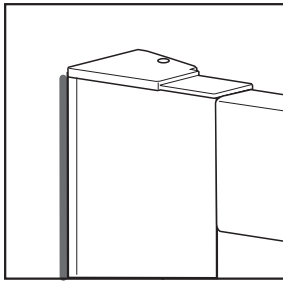


view from inside

Repeat on other door

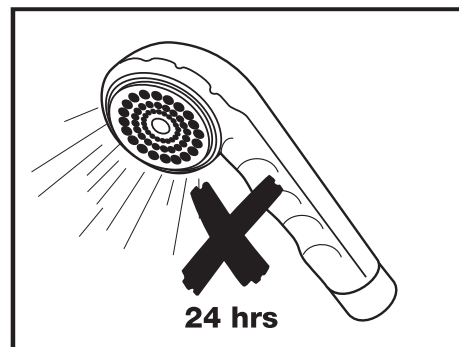


view from inside



IMPORTANT!

The shower enclosure must be sealed **ONLY** on the outside. **DO NOT SEAL** on the inside, should this process not be respected, the company will not assume the responsibility of any water leakage.



AFTERCARE INSTRUCTIONS

This product has an 'Idealclean' coating on the glass, which makes the glass easier to clean.

The following cleaning instructions need to be followed so as not to damage the coating.

After use, your shower should be cleaned with soap and water. This is particularly important in hard water districts where insoluble lime salts may be deposited and allowed to build up.

Cleaners of a gritty or abrasive nature should not be used. Care should be taken to avoid contact with strong chemicals such as organic solvents and strippers.

Glass cleaners can be used but with caution, if in doubt, contact the manufacturer of the cleaner in question.

Please keep these instructions for aftercare and customer service details.



The Bathroom Works
National Avenue
Kingston upon Hull
HU5 4HS
England
Telephone: (01482) 346461
Telefax: (01482) 445886.

CUSTOMER CARE HELPLINE
0870 1296085
CUSTOMER CARE FAX LINE 01482 499611
email: ukcustcare@IdealStandard.com

Ideal Standard pursues a policy of continuing improvement in design and performance of its products. The right is, therefore, reserved to vary specifications without notice.