

□ **CARE AND CLEANING INSTRUCTIONS**

- The seat and cover should be cleaned using warm soapy water.
- Do not use aggressive or abrasive cleaners as this may scratch the surface of the seat.
- The hinges should be cleaned using soap, or a mild detergent. After cleaning the hinges should be rinsed in clean water and dried.
- Never use bleach, concentrated cleaners or acids on the hinges as this will cause discolouring and pitting.
- Do not leave bleach in the toilet bowl with the cover closed because this may cause discolouration of the seat and hinges.
- Take care not to splash the hinges when using bleach in the toilet bowl.

The Bathroom Works
National Avenue
Kingston upon Hull
HU5 4HS
England
Telephone: (01482) 346461
Telefax: (01482) 445886.

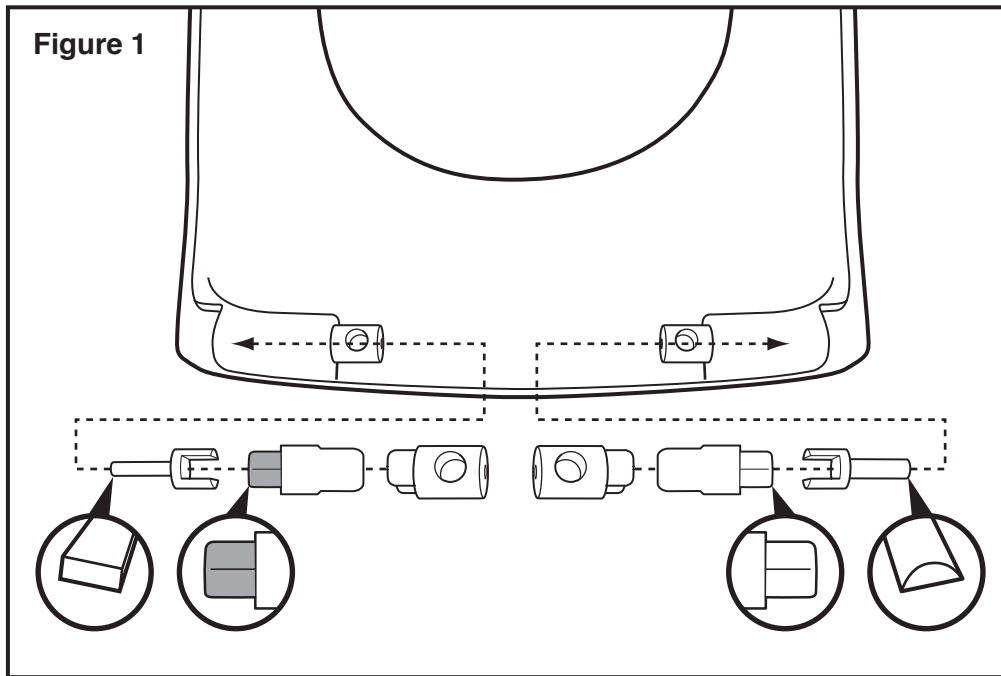
CUSTOMER CARE HELPLINE
0870 1296085
FAX LINE 01482 499611
ukcustcare@idealstandard.com

Ideal Standard (UK) Ltd. pursues a policy of continuing improvement in design and performance of its products. The right is, therefore, reserved to vary specifications without notice.

4668 05/08

Toilet Seat Installation

Important Care and Installation Instructions,
Please retain for future reference.



Ensure that the hinge pins are ready assembled in the seat lugs. If they have become dislodged, reassemble as shown (Figure 1).

Insert the sprung retainers into the pan. Clip the tab - on the end of the wings - under the washer, before fitting through the WC and snapping into place with a screw (Figure 2).

Place the hinges on the pan, along with the rubber washers (Figure 3). Add the screws and tighten them **FINGER TIGHT** only.

Lower the seat onto the hinges and align the seat with the pan (Figure 4), ensuring that the hinges do not become dislodged from the seat lug. Push back into position if necessary.

Tighten the screws securing the hinges to the pan with a screwdriver (Figure 5).

Tighten the hinge grubscrew with the tool provided (Figure 6).

NOTE - Please re-check the screws that secure the hinges to the WC are still fully tightened after 1-2 weeks usage

