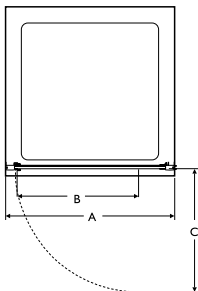
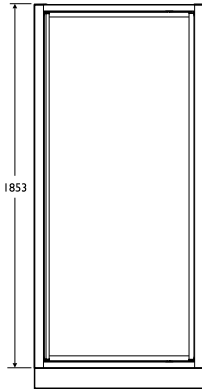


# CONNECT PIVOT DOOR

## Assembly Instructions

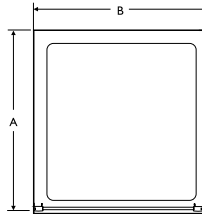
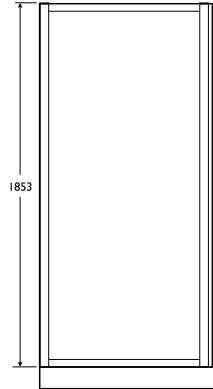
- WARNING!**  
 This product may weigh in excess of 19kg.
- Please read the instructions fully before commencing installation.
- Check for transit damage and shortages. No claim for damage can be accepted after installation.
- Keep these instructions for reference.

### Connect Pivot Alcove



Unit	Dim. A Width	Dim. B Opening	Dim. C Reach
700	660-710	415	430
750	710-760	465	480
800	760-810	515	530
850	810-860	565	580
900	860-910	615	630

### Connect Pivot Corner

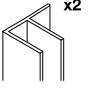
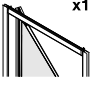

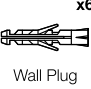
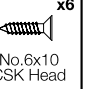
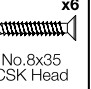
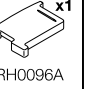
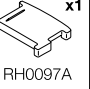
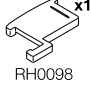
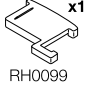
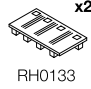

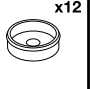
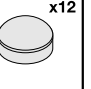
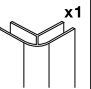
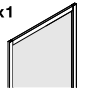
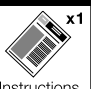

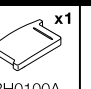
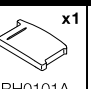
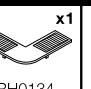
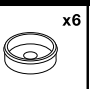
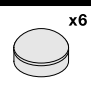


Side Panel	
Unit	Dim. B Width
700	675-725
750	725-775
800	775-825
850	825-875
900	875-925

Pivot Door	
Unit	Dim. A Width
700	675-725
750	725-775
800	775-825
850	825-875
900	875-925

# CONNECT

## COMPONENTS LEGEND

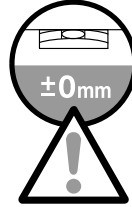
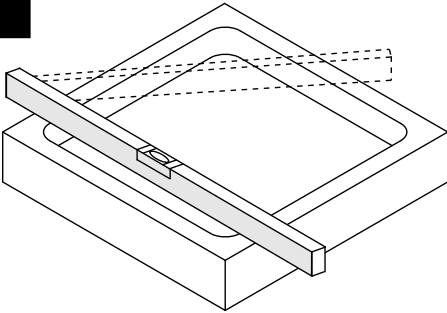
		Ref.	D1	D2									
DOOR	DOOR Components		 x2	 x1									
	PIVOT MOULDING PACK	1	2	3	4	5	6	7	8	9	10	11	12
		 x1 Instructions	 x6 Wall Plug	 x6 No.6x10 CSK Head	 x6 No.8x35 CSK Head	 x1 RH0096A	 x1 RH0097A	 x1 RH0098	 x1 RH0099	 x2 RH0133	 x2 WH0259	 x12	 x12
SIDE PANEL	PANEL Components		 x1	 x1									
	SIDE PANEL MOULDING PACK	1	2	3	4	5	6	7					
		 x1 Instructions	 x6 No.6x10 CSK Head	 x1 RH0100A	 x1 RH0101A	 x1 RH0134	 x6	 x6					

### TOOLS REQUIRED (not supplied)

- Spirit Level
- Pencil
- 2.8mm Drill Bit
- Tile Drill Bits
- Drill
- Masonary Drill Bits
- Tape Measure
- Hacksaw
- Phillips Screwdriver
- Flat Blade Screwdriver

# CONNECT

**1**

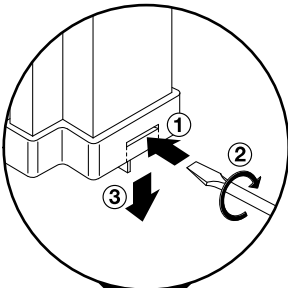


- Ensure tray is level and firm.
- Tray must be sealed before enclosure installation begins.
- Enclosure should be fitted between tile surfaces.

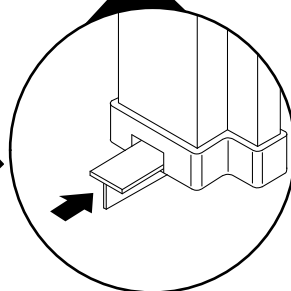
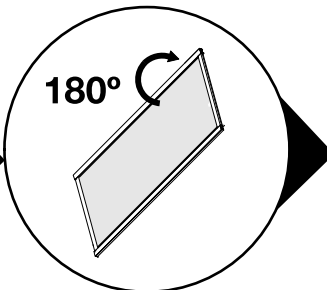
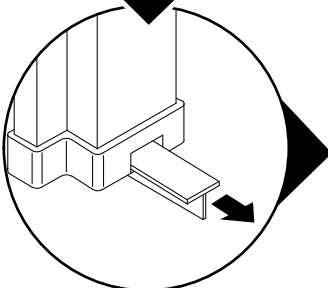
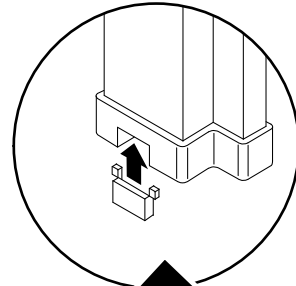
**2**

**NOTE:**

- Wall fixings supplied are for solid wall construction. Substitute suitable fixings as appropriate.
- Door is supplied as a L.H. unit.



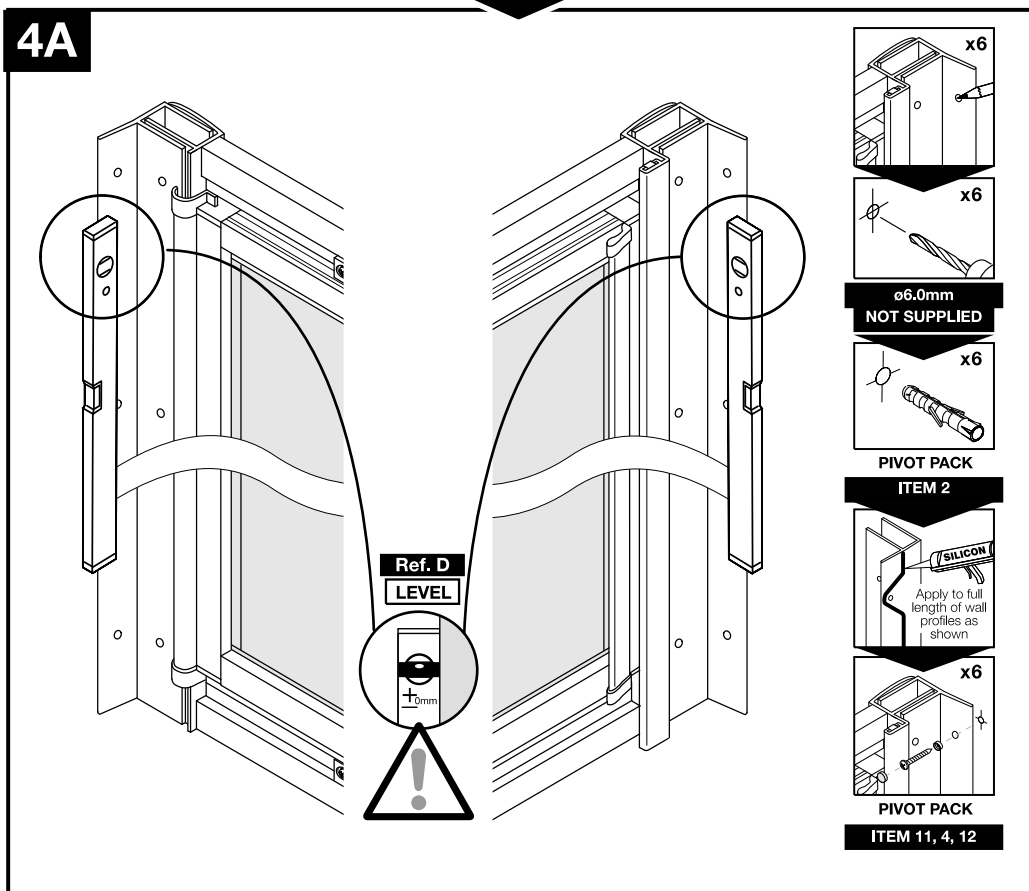
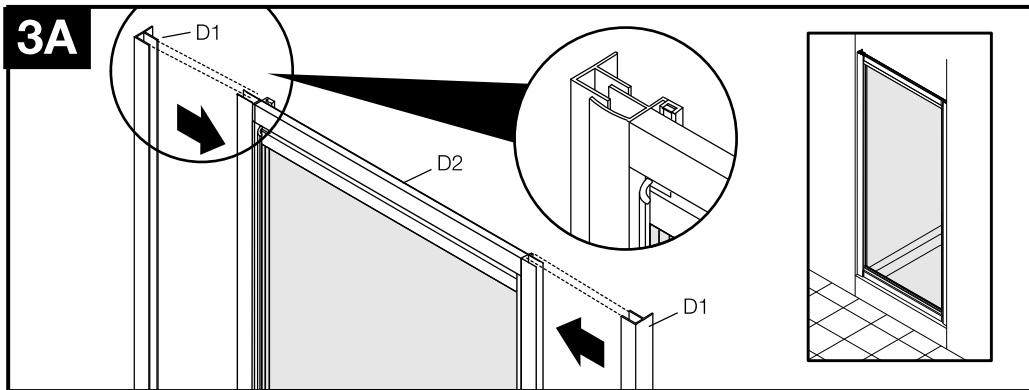
**HOW TO CHANGE L.H. DOOR TO R.H. DOOR**  
(If required)



FOR **ALCOVE** INSTALLATION USE PAGES 4, 5, 8, 9, 11.  
FOR **CORNER** INSTALLATION USE PAGES 6, 7, 8, 10, 11.

# ALCOVE ONLY

# CONNECT



## ALCOVE ONLY

## CONNECT

### 5A

- Position door to be even in both wall profiles.

Ref. D  
LEVEL

ø2.8mm DRILL

x3

PIVOT PACK

ITEM 11

ITEM 3

ITEM 12

### 6A

Ref. D  
LEVEL

ø2.8mm DRILL

x3

PIVOT PACK

ITEM 11

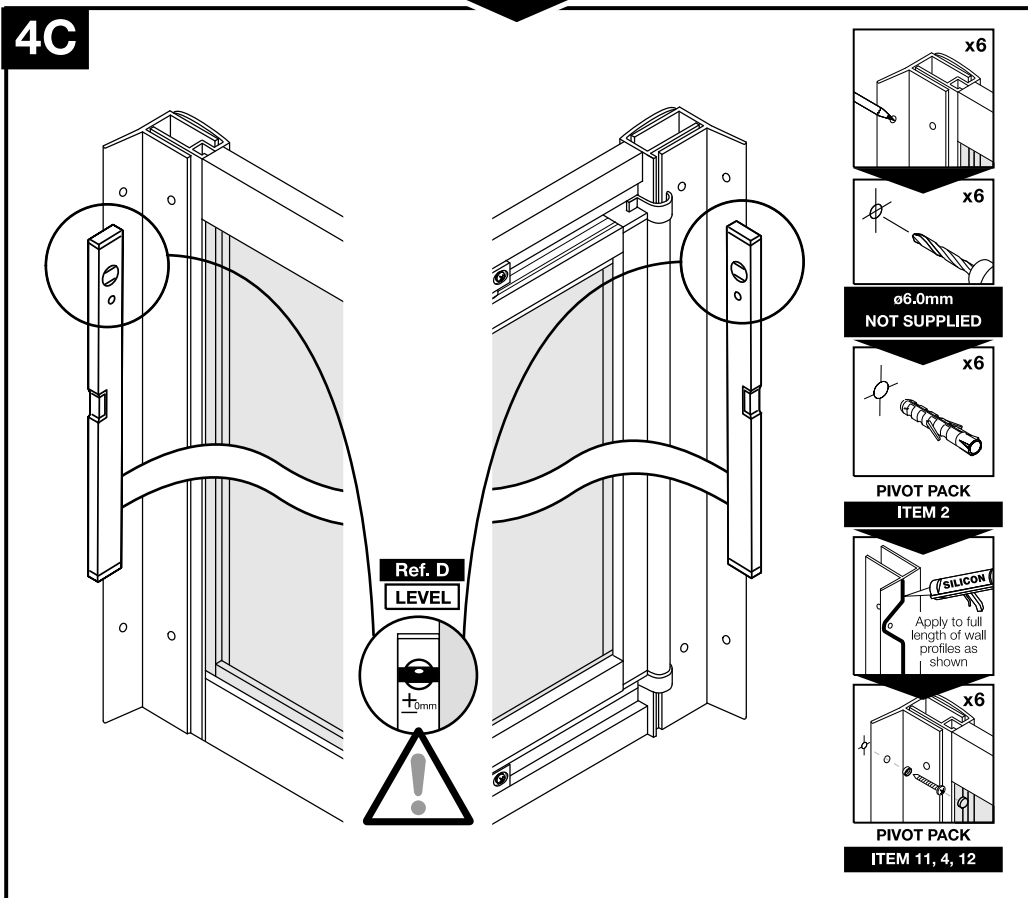
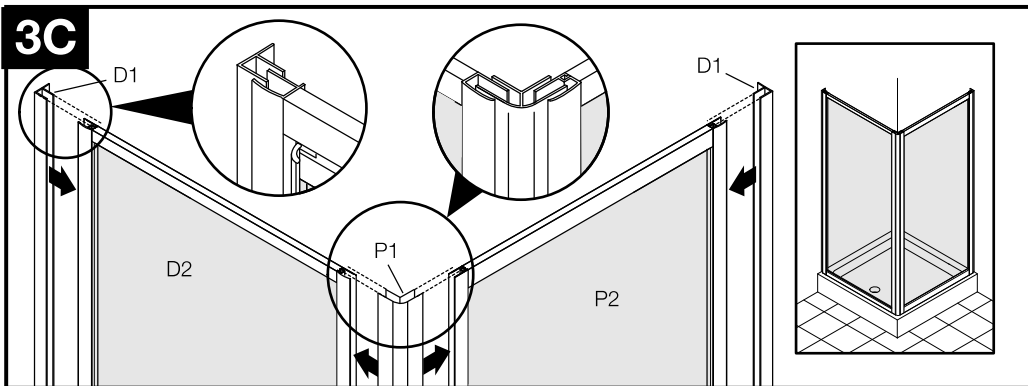
ITEM 3

ITEM 12

**TURN TO PAGE 8**

# CORNER ONLY

# CONNECT



# CONNECT

## CORNER ONLY

**5C**

**Ref. D**  
**LEVEL**

10mm

**ø2.8mm DRILL**

**PIVOT PACK**

**ITEM 11**  
**ITEM 3**  
**ITEM 12**

**REPEAT FOR SIDE PANEL**

**6C**

**Ref. D**  
**LEVEL**

10mm

**ø2.8mm DRILL**

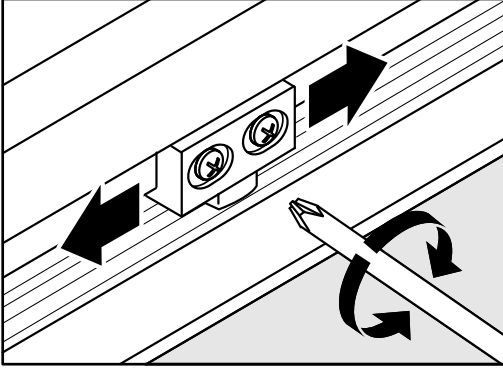
**SIDE PANEL PACK**

**ITEM 6**  
**ITEM 2**  
**ITEM 7**

# CONNECT

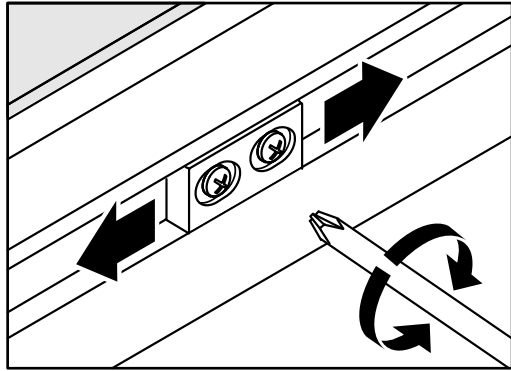
7

TOP



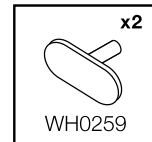
If required, adjust door by moving pivot block (top & bottom).

BOTTOM



8

- Fit mouldings (**Item 10**) to Pivot Blocks.



PIVOT PACK  
ITEM 10



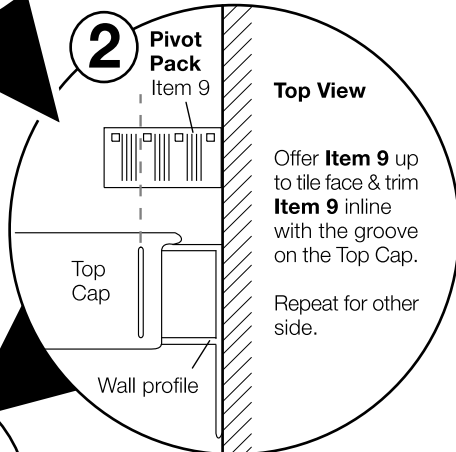
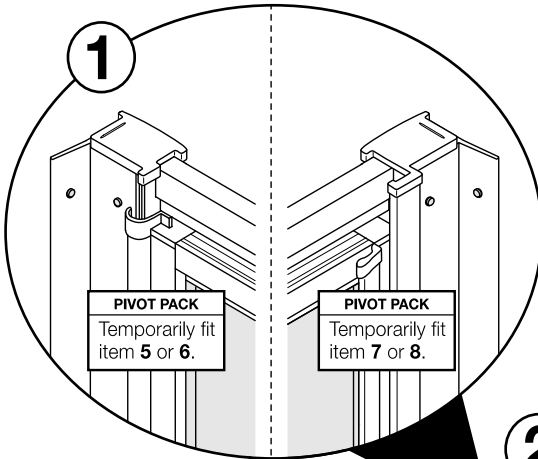


ALCOVE ONLY

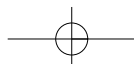
CONNECT

9A

FIT TOP CAPS



- 3**
- Remove Top Caps.
  - Fit **Item 9**'s
  - Refit Top caps
  - Silicone Top Caps into place.

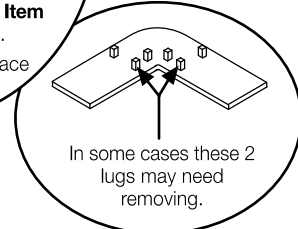
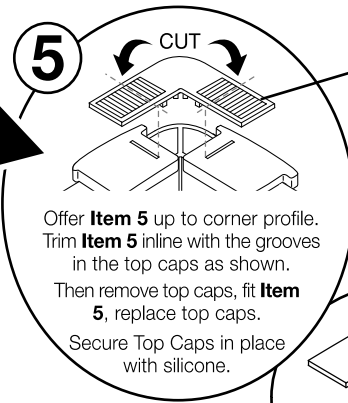
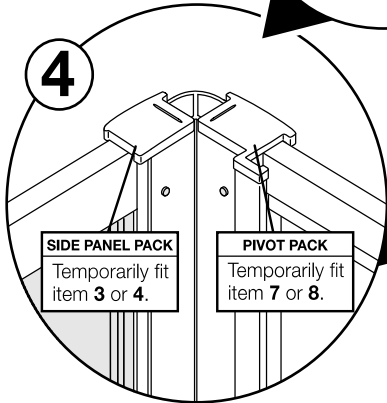
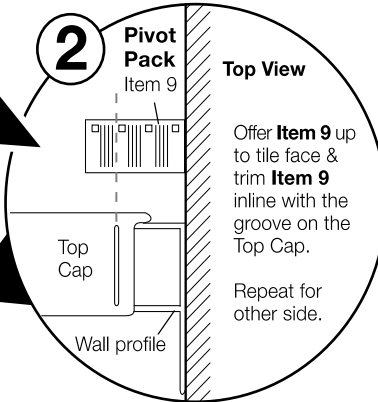
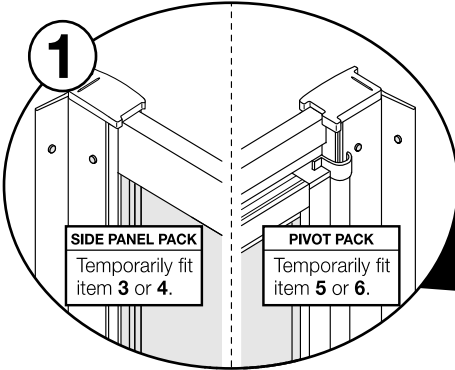
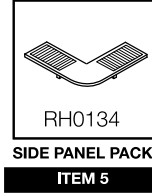


# CONNECT

## CORNER ONLY

**9C**

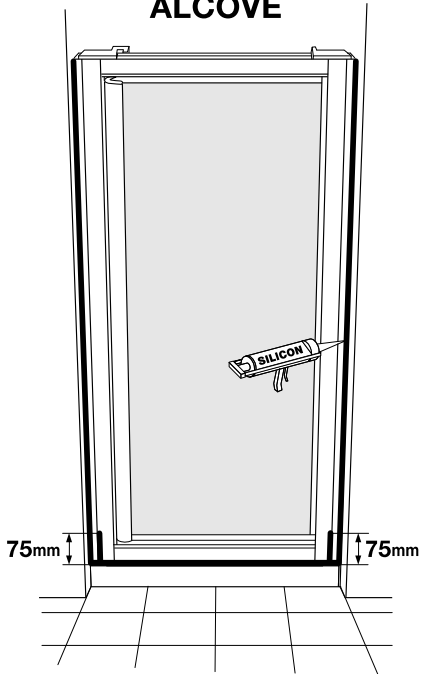
### FIT TOP CAPS



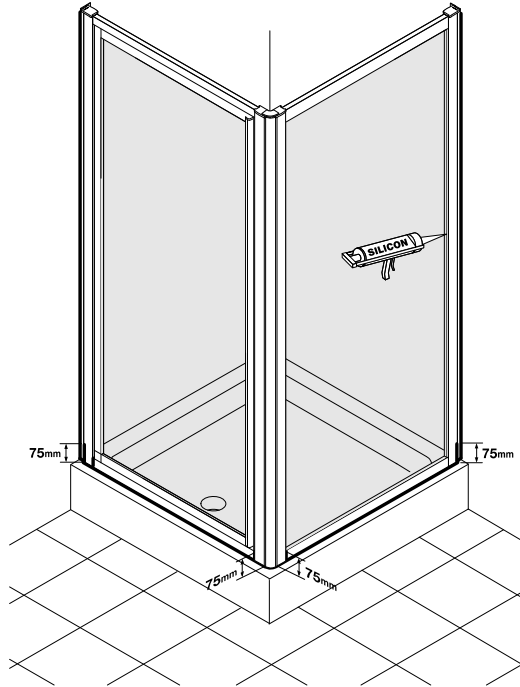
# CONNECT

10

ALCOVE

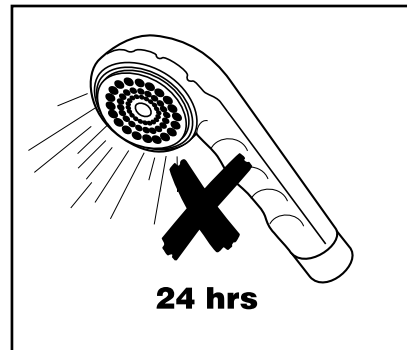


CORNER



## IMPORTANT!

The shower enclosure must be waterproof sealed **ONLY** on the outside. **DO NOT** seal the inside. Should this process not be respected, the company will not assume the responsibility of any water leakage.





---

**CONNECT**

**NOTE:**  
**IF YOU ARE UNSURE ABOUT ANYTHING,  
PLEASE CALL OUR CUSTOMER CARE HELPLINE**

**CUSTOMER CARE HELPLINE**  
**TEL: 0870 129 6085**  
**FAX: 01482 499611**  
**email: [ukcustcare@idealstandard.com](mailto:ukcustcare@idealstandard.com)**

The Bathroom Works,  
National Avenue,  
Kingston upon Hull,  
HU5 4HS.  
England.

Telephone: (01482) 346461  
Fax: (01482) 445886

Ideal Standard pursues a policy of continuing improvement in design and performance of its products. The right is, therefore, reserved to vary specification without notice.

Ideal Standard (UK) Ltd. 4650 01/08